

BUILT-IN INDUCTION HOB

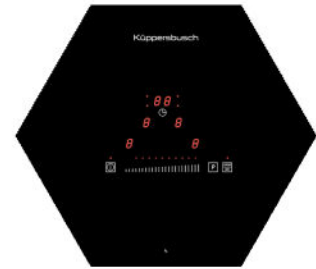
HONEY COMB

EKWI 3740.0 W

Profession+

Features:

- 9-level power controls 'glideControl'
- Automatic booster cooking phase
- Residual heat indicators
- Minute minder for up to 99 minutes with switch-off feature
- Central switch-off control
- Holiday shut-down device (limiting operation duration time)
- Under-counter ventilation
- 1 sensor touch honeycomb included
- Without frame for flush-fitting installation



Technical data:

- Power for 2 cooking zone Ø 20 cm : 2.3 kW (3 kW*)
- Power for 2 cooking zone Ø 16 cm : 1.1 kW (1.4 kW*)

*with power booster setting

- Electrical connection : 7.4 kW (40A spur)
- Appliance dimensions : approx. W320 x D320 mm
- Niche dimensions : see building-in diagrams
- Under-counter ventilation height : 20 mm
- Length of connection cable : 1.5 metres



Country of origin: France

Design layouts:

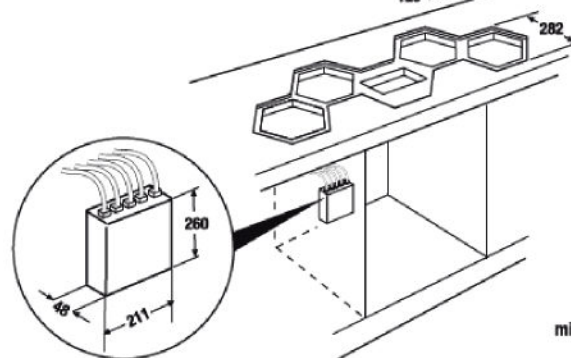
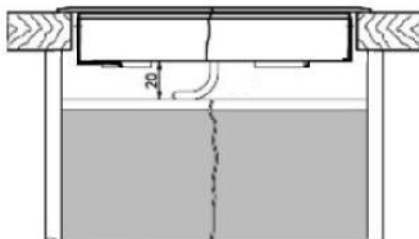


W x D approx. 800 x 554 mm

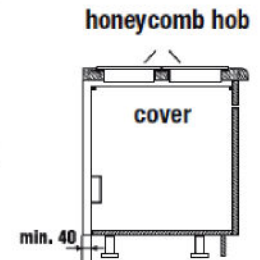


W x D approx. 1.040 x 554 mm

cooking honeycomb 50 277 238 50 277 120 190 control honeycomb



connection and power box



Please refer to the installation details.