

BEDIENUNGSANWEISUNG

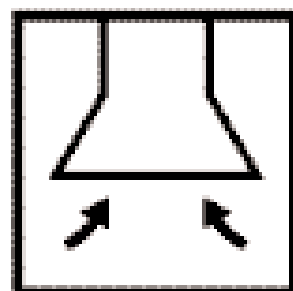
mit Montageanweisungen

Instrucciones de Uso y de Montaje

Instructions for use and installation

Instructions d'utilisation e avis de montage

Instruções de utilização e instalação



KD 9210.0 GE

(Rev. 0)

Küppersbusch

ALLERFEINSTE KÜCHENTECHNIK

Dear client:

Congratulations on your choice. We are sure that this modern, functional and practical appliance, made with top quality materials, will fully satisfy your needs.

Please read every section of this INSTRUCTIONS MANUAL before using your kitchen hood for the first time, to ensure maximum performance from the appliance and to avoid breakdowns, which may be caused by incorrect use, as well as to allow any minor problems to be solved.

Store this manual, as it will provide useful information about your kitchen hood at all times and will also help other people to use it.

Safety Instructions

- Please be aware of current local regulations with reference to domestic electrical fittings and gas education.
- Verify that the tension and frequency of the network match those indicated on the label located inside the kitchen hood.
- For disconnection from the supply mains must be incorporated in the fixed wiring in accordance with the wiring rules. **THE NET CABLE MUST NOT BE SUBSTITUTED, EXCEPT BY AN AUTHORIZED TECHNICAL SERVICE.**
- Once the kitchen hood has been installed, ensure that the mains cable to the network is not in contact with any live metal edges.
- Avoid connecting the appliance to conductors used as exits for fumes produced by a non-electric energy source, e.g.: boilers, chimneys, etc.
- If the extractor fan is going to be used simultaneously with equipment powered by a non-electric energy source, e.g.: gas cookers, then the room must have sufficient ventilation.
- Excessive fat accumulation in the kitchen hood and metal filters is a fire risk and may also cause dripping, therefore the inside of the kitchen hood and the metal filters must be cleaned at least once a month.
- The lower part of the kitchen hood must be fitted at least 50 cm. over electric hobs and 65 cm. over gas or mixed hobs. **FOLLOW THE HOB'S MANUFACTURER'S MINIMUM RECOMMENDATIONS.**
- Never leave gas hobs lit if not covered by a container. The fat accumulated in the filters

may drip or catch fire when the temperature increases.

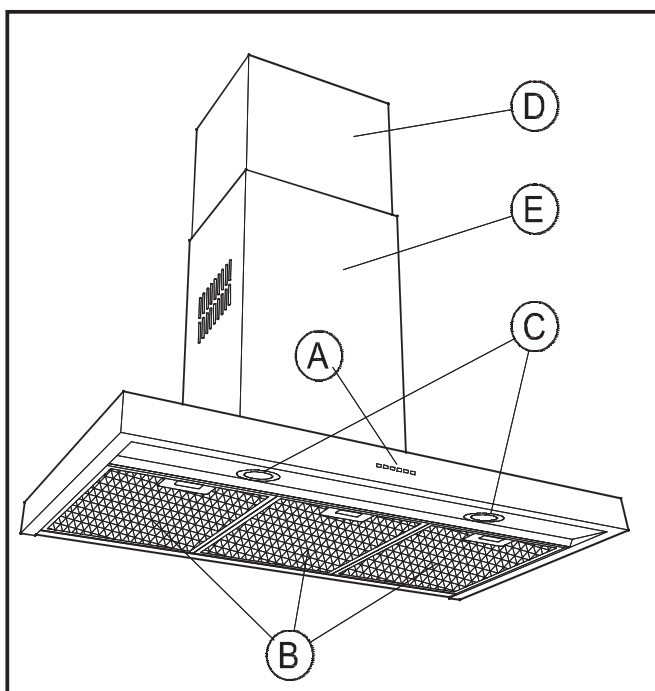
- Avoid cooking under the kitchen hood if the metal filters are not fitted, e.g.: while they are being cleaned in the dishwasher.
- You must not produce flames under the kitchen hood.
- Do not place anything on top of the cooker hood.
- Disconnect the appliance before any interior manipulation, e.g. during cleaning or maintenance.
- We recommend the use of gloves and to be extremely careful when cleaning the kitchen hood's interior.
- Your kitchen hood is designed for domestic use and only for extraction and purification of fumes produced during food preparation. It will be your responsibility if it is used for other purposes, which may be dangerous. The manufacturer cannot accept responsibility for damage caused by improper use of the appliance.
- For repairs please contact the nearest **KÜPPERSBUSCH** Technical Assistance Service, and always use genuine spare parts. Repairs or modifications carried out by unqualified personnel can cause malfunctions or may damage the appliance, putting your safety in danger.
- This appliance is marked according to the European directive 2002/96/EC on "Waste Electrical and Electronic Equipment" (WEEE). This guideline is the frame of a European-wide validity of return and recycling on Waste Electrical and Electronic Equipment, .
- When the cooker hood is run at the same time as other than electrical appliance or equipment with different energy source, the air extraction (underpressure) must not be higher than 4Pa (4 x 10⁻⁵ bar).
- The appliance is not intended for use by young children or infirm persons without supervision. Young children should be supervised to ensure they do not play with the appliance.

Index

	Page
Description of the appliance	15
Instructions for use	15
Cleaning and maintenance	16
Problem solving	16
Sizes and specifications	17
Accessories supplied	18
Installation	18
Active charcoal filters	18

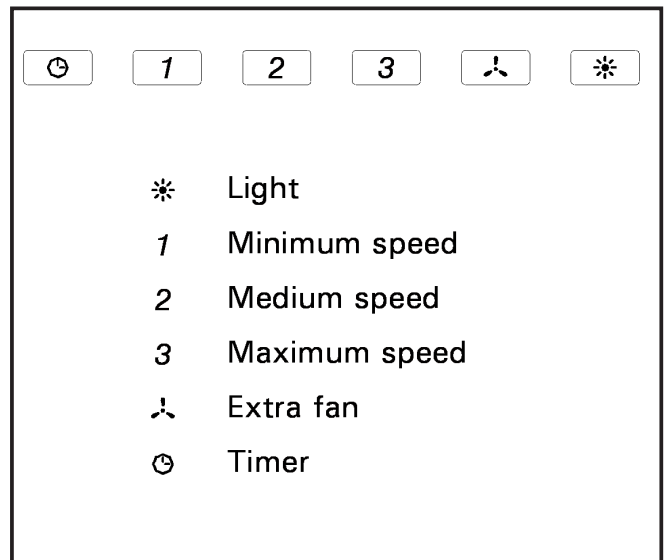
Description of the appliance

- A** Electronic programmer control box with illuminated buttons to control speed and light.
- B** Metal filters.
- C** Lamp with two bulbs - 20 W (G-4).
- D, E** Vertically adjustable tubecovers.



Instructions for use

You may control the kitchen hood by operating the controls as shown in the diagram.



Switch on the extractor fan a few minutes before you start to cook in order to ensure that a steady air flow has been established before fumes appear.

Allow the extractor fan to run for several minutes after you have finished cooking (between 3 to 5 minutes) in order to expel all the grease from the outlet duct. This prevents the return of grease, smoke and smells.

Programming timer

Proceed as follows:

- 1.- Choose the required speed.
- 2.- Press "timer". The light will begin to flash. The duration of the "timer" is 10 min. During the programmed time, fan speed can be changed.

The intensive speed is autoprogramed and will change to speed 2 after approximately 10 minutes.

Cleaning and maintenance

During cleaning and maintenance work, make sure the safety instructions set out on page 14 are complied with.

Cleaning the hood body

- If your kitchen hood is made from stainless steel, use proprietary cleaners mentioned in the product instructions.
- If your kitchen hood is painted, use lukewarm water and a neutral soap.
- Never use metallic scourers, nor abrasive or corrosive products.
- Dry the kitchen hood using a cloth that does not produce fibres.
- The use of vapour cleaners is not recommended.

Cleaning the metal filters

To remove the filters from their fittings, press lightly on the locks and then pull them off.

The metal filters can be cleaned by soaking them in hot water with neutral detergent until the fat dissolves and then rinsing them under the tap or using special anti-grease products. They can also be washed in a dishwasher. In this case, it is advisable to stack them vertically to avoid food residues to stick to them.

Cleaning in a dishwasher may damage the metallic surface (blackening it), although this will not affect its fat retention capacity.

Once clean, leave them to dry off and then fit them onto the kitchen hood.

Changing light bulbs

Proceed as follows:

- Unscrew the lamp cap trimming cover.
- Change the broken/ burnt out lamp. Maximum lamp power is 20 W (G-4).
- Screw in the lamp cap trimming cover.

Problem solving

Proceed with the following checks before calling the Technical Service:

Problem	Possible cause	Solution
The extractor fan does not work.	The mains cable is not connected to the network. There is no current in the network.	Connect mains cable to the network. Provide current to the network.
The kitchen hood does not extract sufficiently or vibrates.	Filters are saturated with fat. Obstruction in the air exit conduct.	Change or clean the active charcoal and/or metal filters, as the case may be. Remove the obstruction.
The lamps do not light up.	The lamps are blown. The lamps are slack.	Change the lamps. Tighten the lamps.

Sizes and specifications



The technical drawing shows two views of a hood. The left view shows a side profile with dimensions A (total width), B (width of the lower section), C (width of the upper section, split into MIN and MAX), D (height of the lower section), and E (height of the upper section). The right view shows a front view with dimensions B (width), D (height), and F (width of the upper section). A small grid pattern is visible on the front view.

A	B	C		D	E	F
		MIN	MAX			
600/700/900	480	625	955	62	330	270

Küppersbusch
 Código Técnico:***** F.Nr.*****

POTENCIA NÓM. LÁMPARAS:
 NENNLEISTUNG LAMPEN:
 LAMPS POWER:
 PUISSANCE LAMPES:
 POTENCIA NOM. DAS LAMPADAS:
 POTENZA LAMPADINE:
 VERMOGEN LAMPER:
 LAMPOR POTENTIAL:

F-PTX

Technical Code	Network Tension (V)	Network Frequency (Hz)	Lights Power / Motor (W)
*	220 - 240	50/ 60	2 x 20 / *

* Check Characteristics label inside the hood.

KÜPPERSBUSCH reserves the right to make changes and corrections to its products as it deems necessary, without altering their basic characteristics.

Accessories supplied

- 1 150/ 120 mm reduction.
- 1 Anti-recoil valve.
- 2 Support for tubecover.
- 4 Wall plugs (Ø6 x 30).
- 4 Wall plugs (Ø8 x 40).
- 4 Long bolts (Ø4 x 30).
- 2 Screws (Ø3,9 x 19).
- 6 Long bolts (Ø5 x 45).
- 2 Ø6,4 x Ø18, washers.
- 2 Clips.

Installation

Fig. 1 (Page 19)

On installing the kitchen hood make sure that the Safety Instructions set out on page 14 are complied with.

To obtain optimum performance, the external conduct must not be more than FOUR METRES long, have no more than two 90° angles and its diameter must be at least Ø120.

- 1) Trace and drill the points for fitting the wall plugs onto the wall (A1) (Ø8 x 40). See figure nr. 1.
- 2) Fit the wall plugs (A1) and screw in the long bolts (A2) (Ø5 x 45) leaving them protruding 5 mm out of the wall.
- 3) Attach the kitchen hood to the long bolts (A2). Straighten the apparatus and tighten the long bolts.
- 4) Remove the metal filters. Loosen the screws (without unscrewing them) of the EASYCLEAN panels (A19), move the panels aside carefully and take them off.
- 5) Trace the location of the wall plugs (R) (Ø8 x 40), through the inside of the kitchen hood.
- 6) Loosen the long bolts (A2) and take the kitchen hood off.
- 7) Drill into the wall and fit the wall plugs (R).
- 8) Attach the kitchen hood, tighten the long bolts (A2) and (S) (Ø5 x 45) with the washers (T) (Ø6,4 x Ø18).
- 9) Mount the EASYCLEAN panel again (A19). Fit the metal filters.
- 10) Mount the tubecovers, attaching the lower one to the support (H) as per the detail in figure 1. Lift the upper tubecover up to the desired height and mark its shape on the wall. Remove the tubecovers.

11) Fit the clips (F) to the support (C).

12) Centre the support (C) around the shape marked; trace and drill the fixing points for the wall plugs (E) (Ø6 x 30). Attach the support (C) with the long bolts (D) (Ø4 x 30).

13) Fit the part (A) if the inner tubecover (not supplied) is Ø150 or (A) + (B) if it is Ø120.

14) Attach the inner tube with a clamp (not supplied) to (B) or on to the motor's air outlet vent as the case may be.

15) Once the inner tube is fitted, fit the lower tubecover around the extractor fan outlet and attach the upper tubecover with the screws (G) (Ø3,9 x 19).

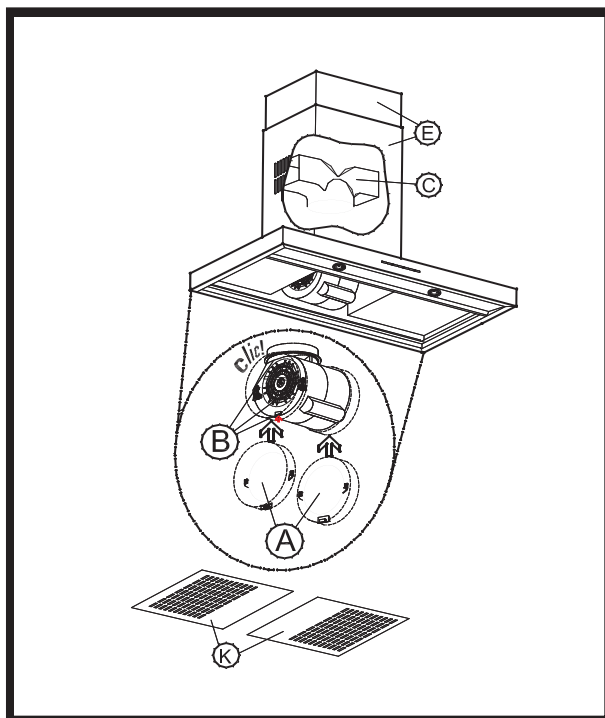
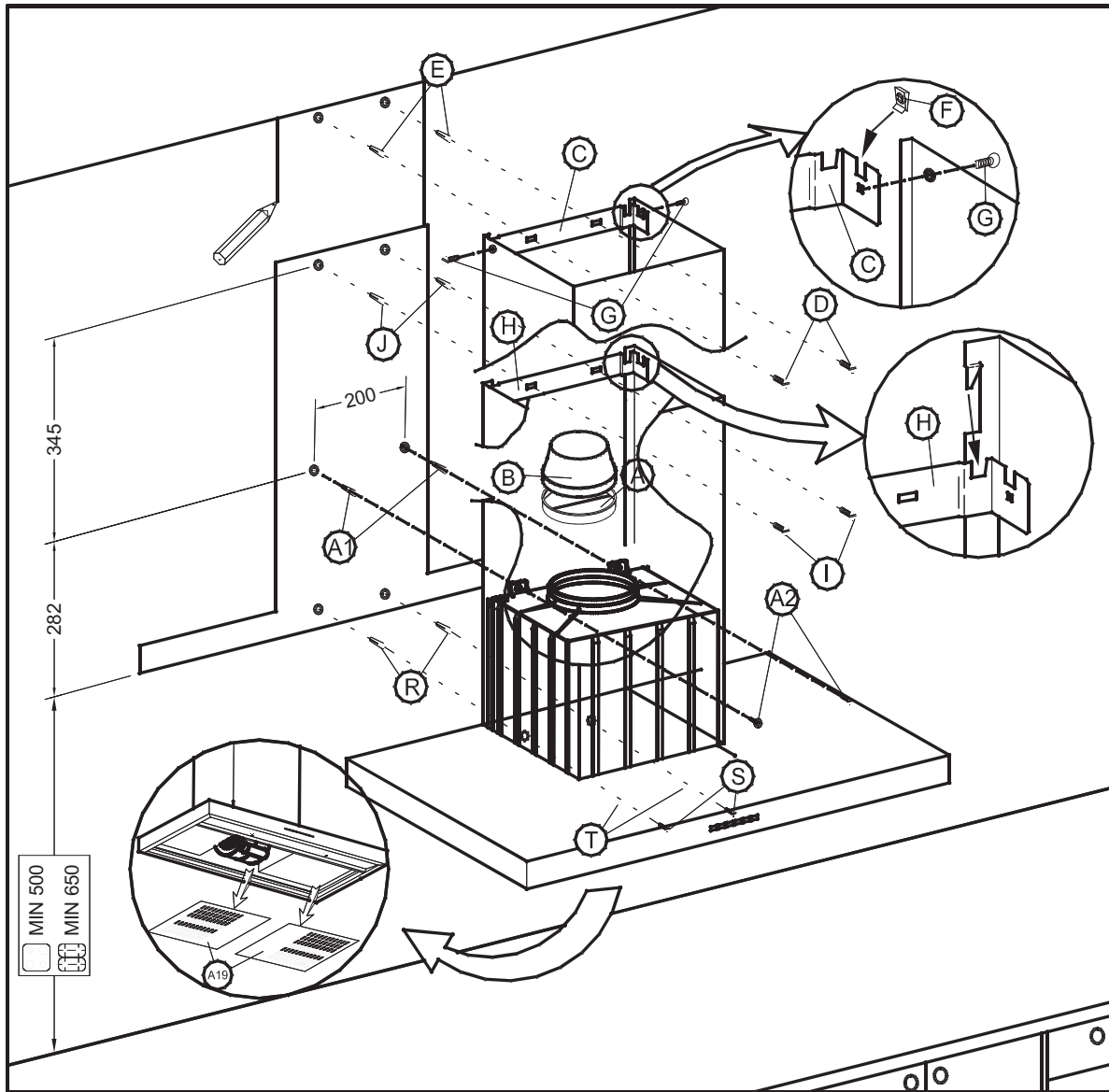
Active charcoal filters (Optional)

When exterior gas extraction is not possible, then the kitchen hood may be set to purify the air by recycling it through active charcoal filters.

The active charcoal filters have an active life of between three to six months, depending on the individual conditions of use. These filters cannot be washed nor regenerated. They must be replaced once their useful life comes to an end.

Fig. 2 (Page 19)

- 1) Remove the metal filters. Loosen the screws (without unscrewing them) of the EASYCLEAN panels (K), move the panels aside carefully and take them off.
- 2) Put the filters into the lateral draught section of the motor making the holes in the filters match up (A) with the pivots (B) of the motor carcass. Turn as indicated in the diagram.
- 3) Mount the EASYCLEAN panel again (K). Fit the metal filters.
- 4) Remove the tubecovers (E). Fit the diffuser (C) on to the motor's air outlet vent. Fit the tubecovers back on (E).



KÜPPERSBUSCH HAUSGERÄTE AG
Küppersbuschstraße 16 · D-45883 Gelsenkirchen · Postfach 100132 · D-45801 Gelsenkirchen
Telefon (0209) 401-0 · Telefax (0209) 401-303

Küppersbusch

ALLERFEINSTE KÜCHENTECHNIK