

# BEDIENUNGSANWEISUNG

mit Montageanweisungen

Instrucciones de Uso y de Montaje

Instructions for use and installation

Instructions d'utilisation e avis de montage

Instruções de uso com indicações para montagem

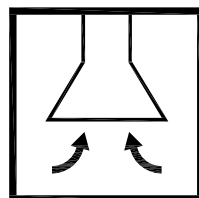
Istruzioni di uso e di montaggio

Bruks- och monteringsanvisningar

Gebbruiksaanwijzing en montagehandleiding

Εγχειρίδιου με τις Οδηγίες Χρήσεως

Инструкция по эксплуатации

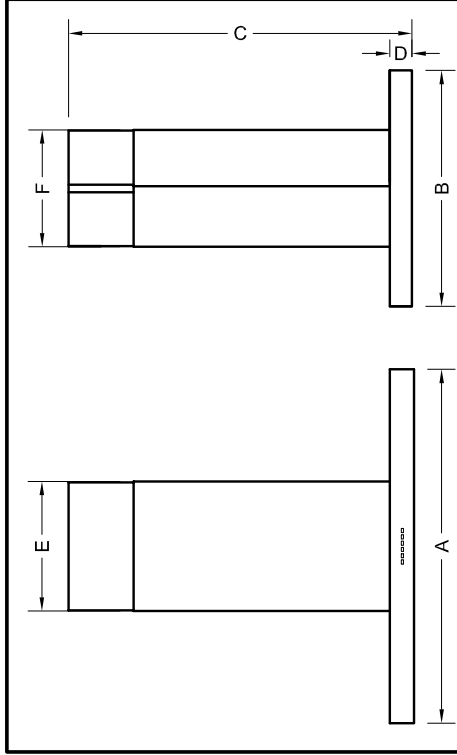


IKD 9210.1 GE

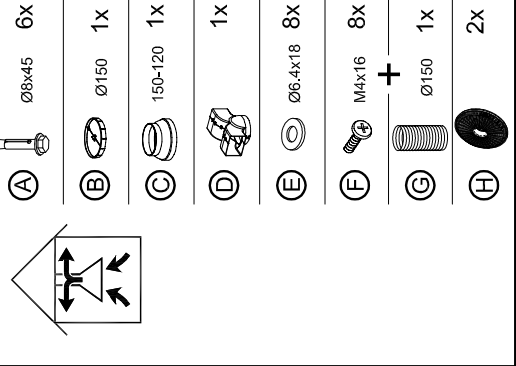
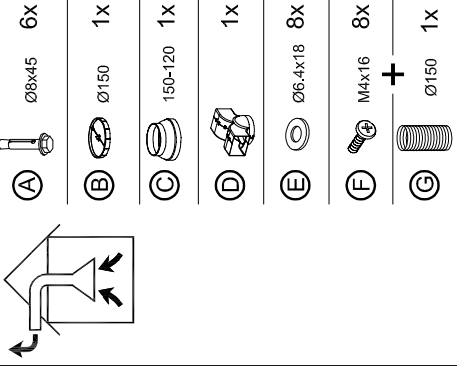
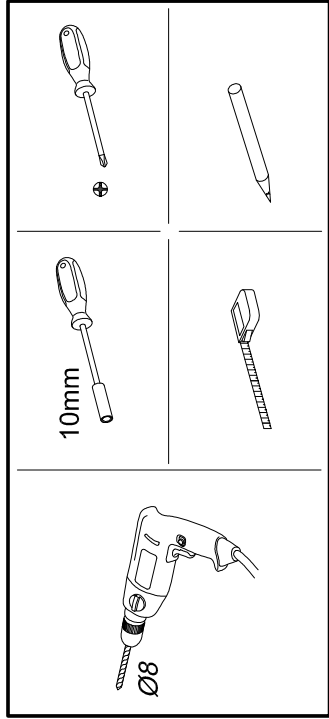
IKD 12210.1 GE

**Küppersbusch**

(Rev. 0)



A	B	C		D	E	F
		MIN	MAX			
1200/900	600	879	1179	62	330	297



**ES** G,H NO INCLUIDOS

**DE** G,H NICHT ENTHALTEN

**GB** G,H NOT INCLUDED

**FR** G,H PAS INCLUS

**PT** G,H NÃO INCLUIDOS

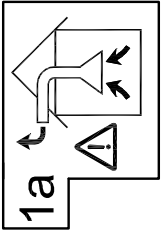
**IT** G,H NON COMPRESI

**SE** G,H EJ INGAR

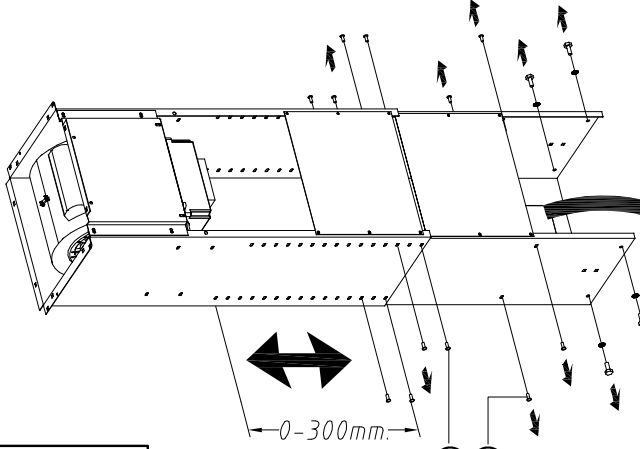
**NL** G,H NIET INBEGREPEN

**GR** G,H ΔΕΝ ΠΕΡΙΛΑΜΒΑΝΟΝΤΑΙ

**RU** G,H НЕ ВКЛЮЧЕНЫ



1a



1.1

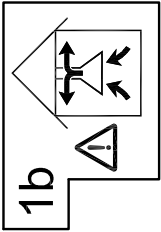
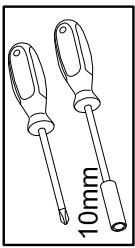
0-300mm.

- M4x12 (8x)
- M4x12 (4x)

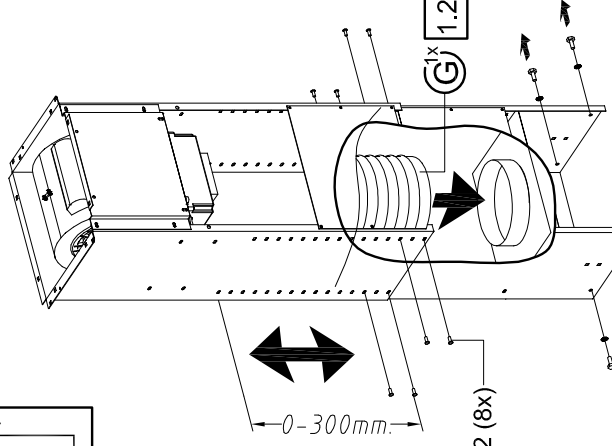
- M6x16 (4x)
- M6 (4x)

1.2

1.3



1b



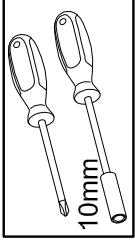
1.3

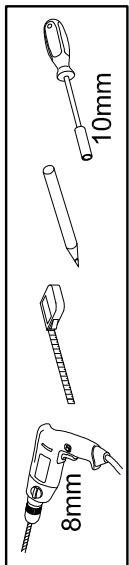
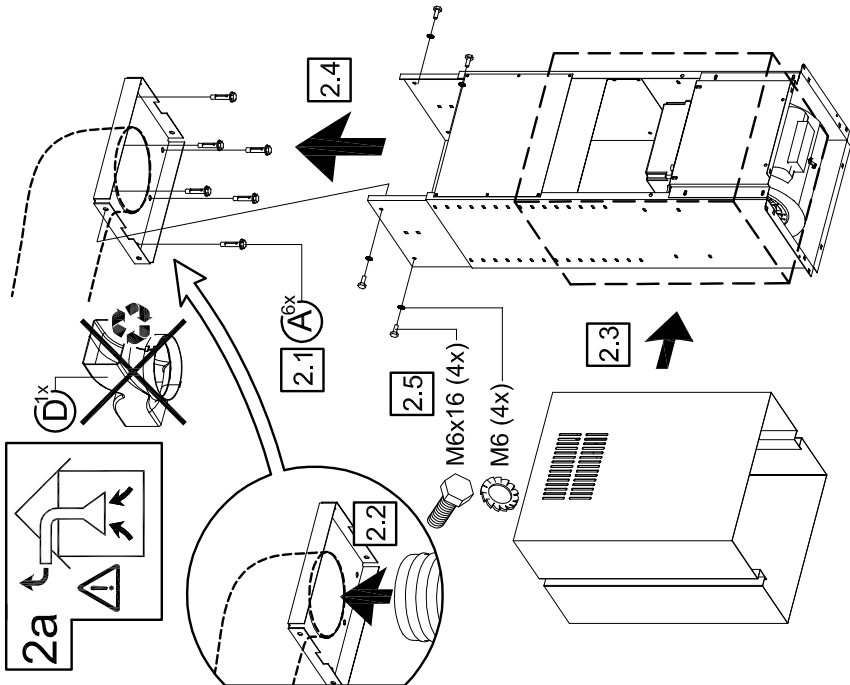
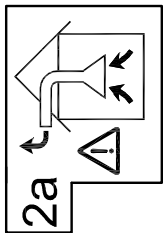
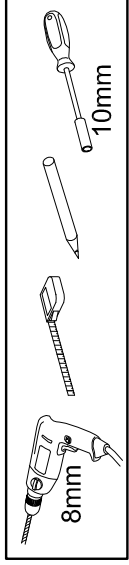
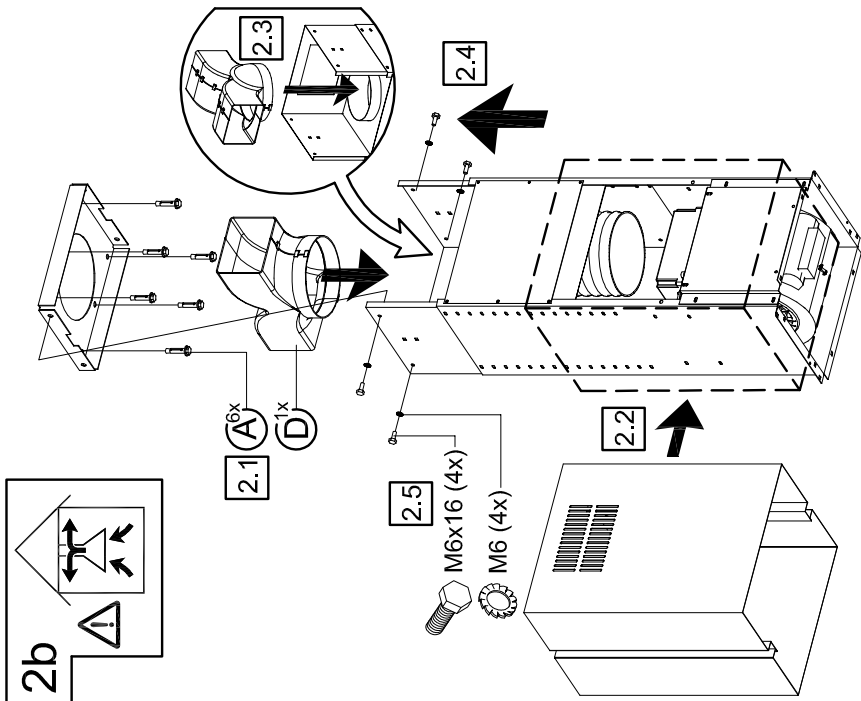
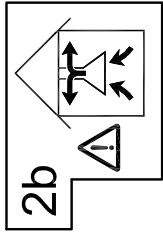
0-300mm.

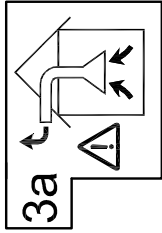
- M4x12 (8x)

- M6x16 (4x)
- M6 (4x)

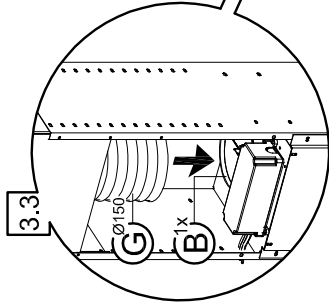
1.1



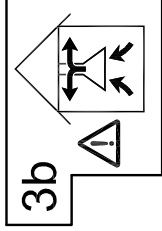
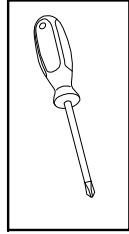
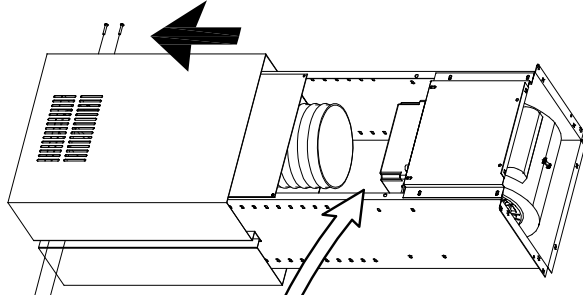




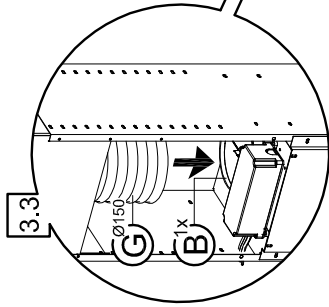
3.2 M4x12 A2 (4x)



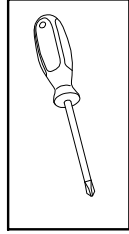
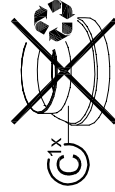
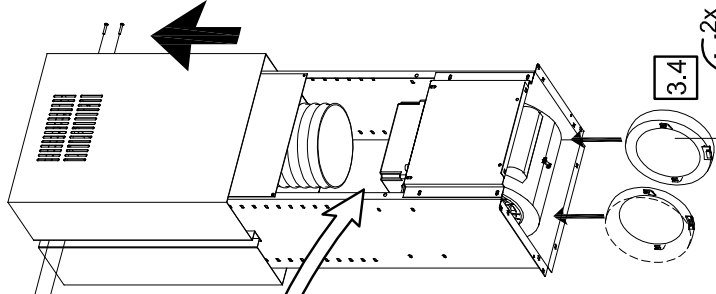
3.1



3.2 M4x12 A2 (4x)



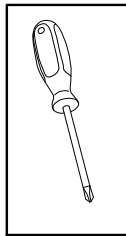
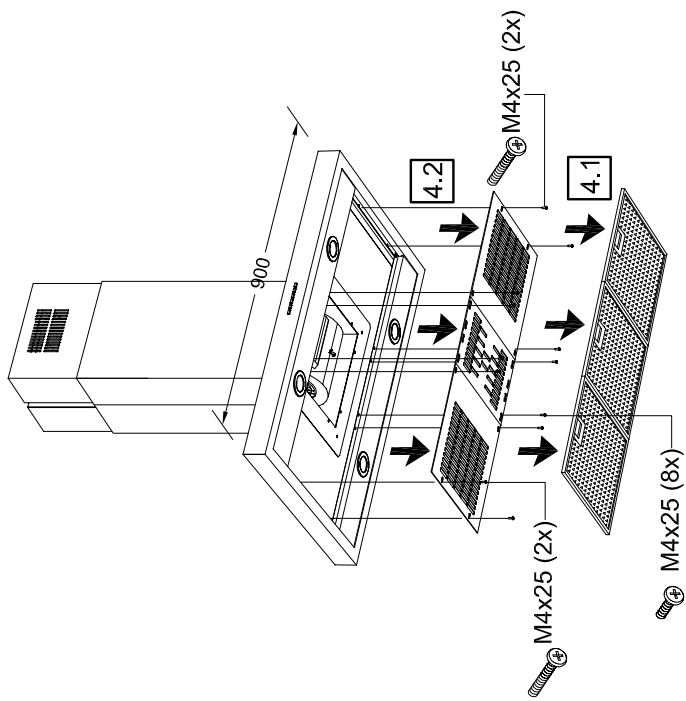
3.1



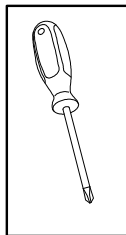
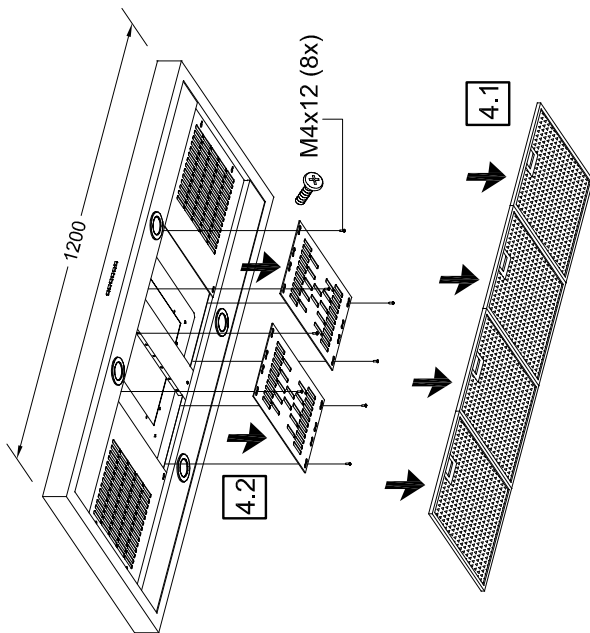
3.4 H 2x



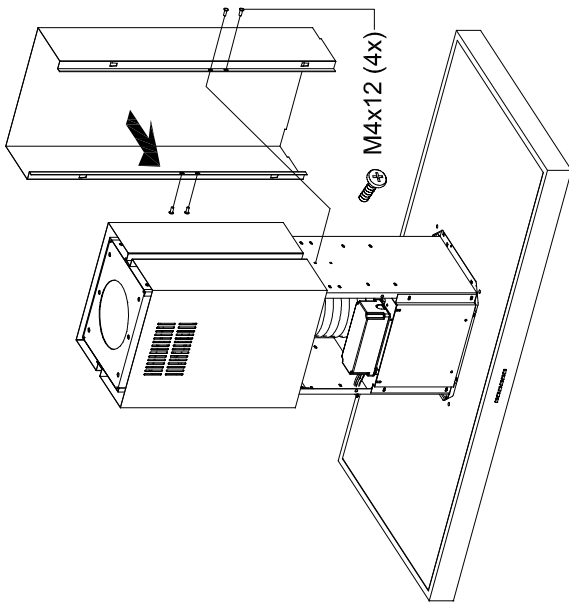
# 4 IKD 9210.1GE



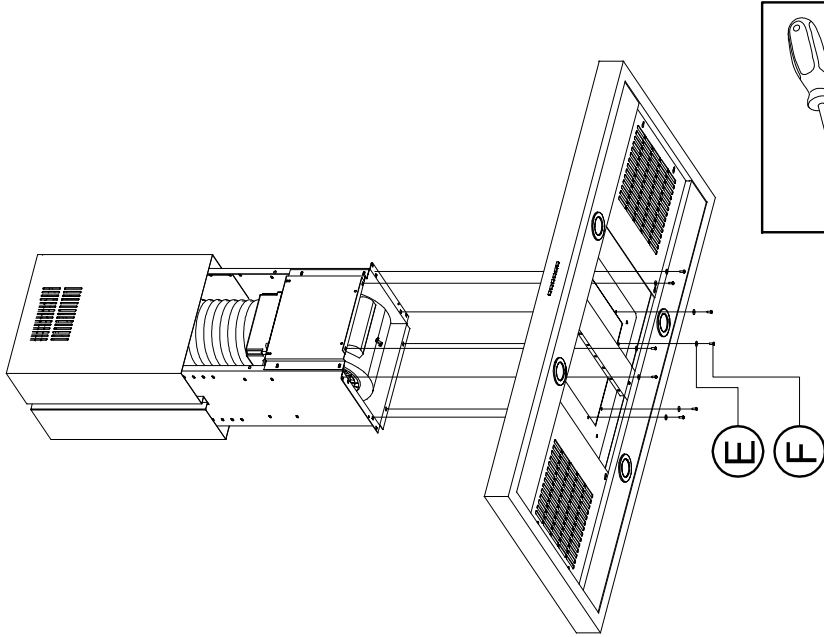
# 4 IKD 12210.1GE

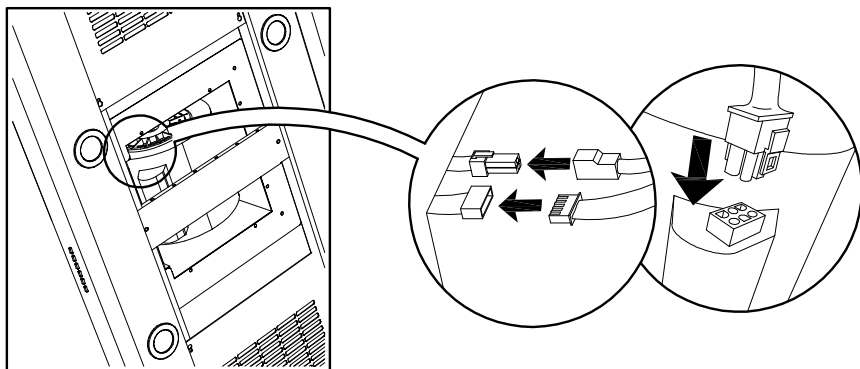


6

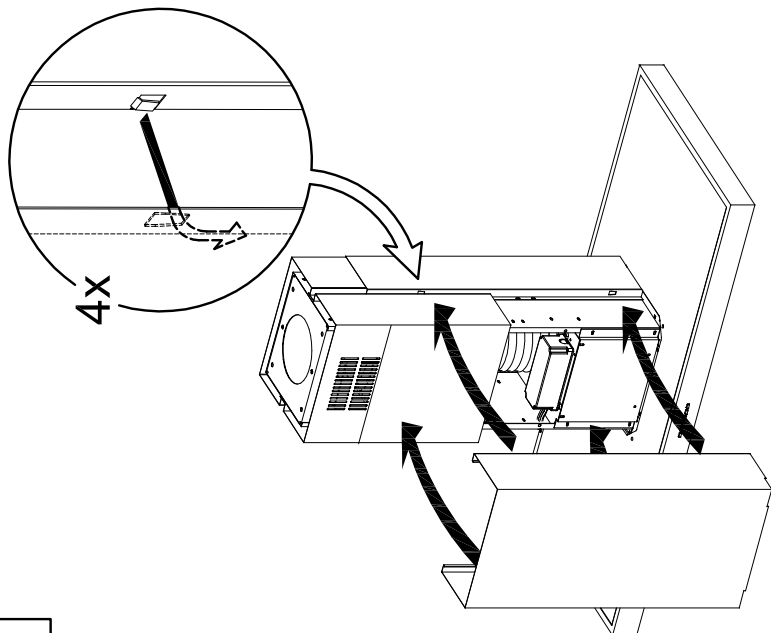


5





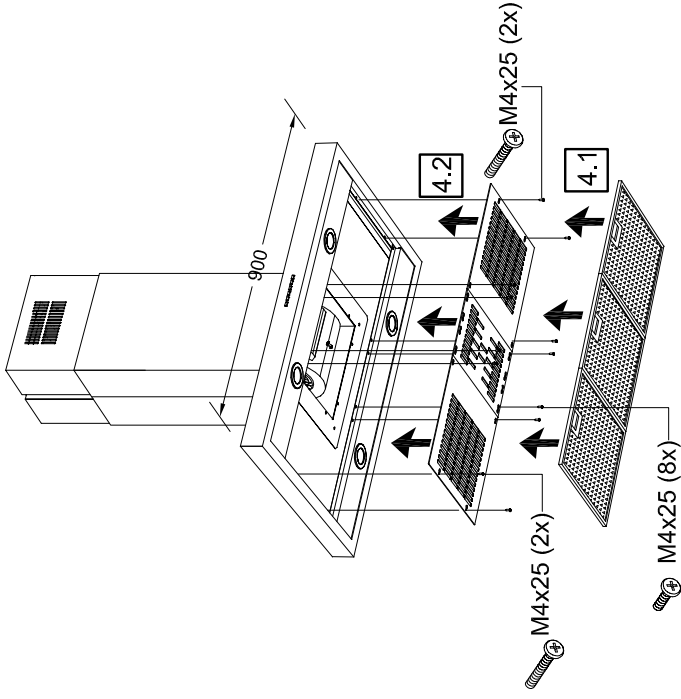
8



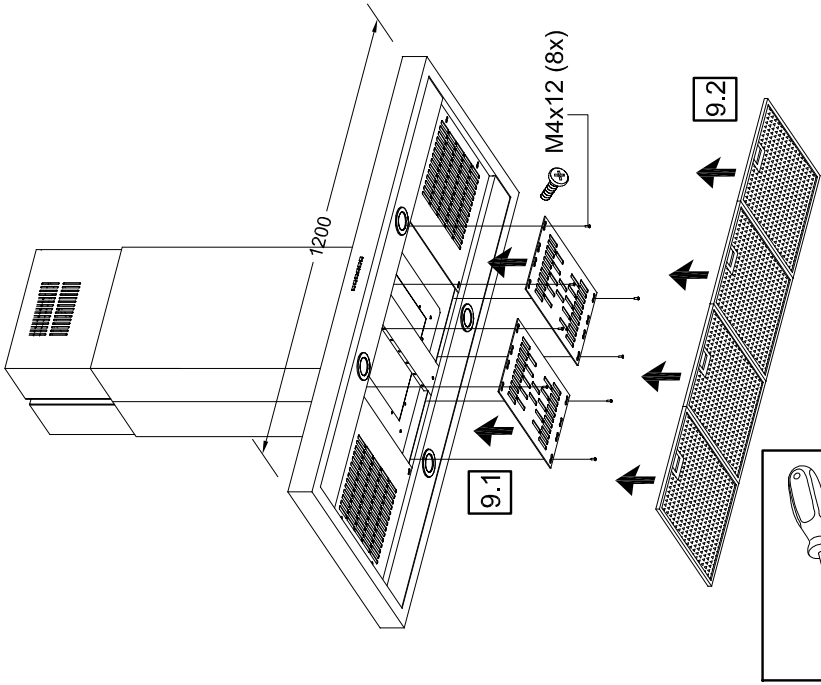
7



# 9 IKD 9210.1GE



# 9 IKD 12210.1GE




Dear client

Congratulations on your choice. We are sure that this modern, functional and practical appliance, made with top quality materials, will fully satisfy your needs.


Please read every section of this INSTRUCTIONS MANUAL before using your kitchen hood for the first time, to ensure maximum performance from the appliance and to avoid breakdowns, which may be caused by incorrect use, as well as to allow any minor problems to be solved.

To obtain optimum performance, the external conduct must not be more than FOUR METRES long, have no more than two 90° angles and its diameter must be at least Ø120.

## Safety Instructions

- Please be aware of current local regulations with reference to domestic electrical fittings and gas education.
- Verify that the tension and frequency of the network match those indicated on the label located inside the kitchen hood.
- If the supply cable is damaged it should be replaced by the manufacturer, the after-sales service or a suitably qualified person in order to avoid hazard.qualified person in order to avoid hazard.
- In case your cooker hood is not provided with a plug for the mains connection or is not accessible in normal conditions it is necessary to install a disconnection switch to the house installation, according to the local standards for installations.
- Make sure a good ground connection (this does not apply to class II appliances, indicated accordingly on the rate plate with )
- Once the kitchen hood has been installed, ensure that the mains cable to the network is not in contact with sharp metal edges.
- The fumes should not be extracted through pipes that are used to evacuate the fumes of gas (or another fuel) operated devices.
- If the extractor fan is going to be used simultaneously with equipment powered by a non-electric energy source, e.g.: gas cookers, then the room must have sufficient ventilation.
- Excessive fat accumulation in the kitchen hood and metal filters is a fire risk and may also cause dripping, therefore the inside of the kitchen hood and the metal filters must be cleaned at least once a month.
- The lower part of the kitchen hood must be fitted at least 65cm over gas or mixed hobs. FOLLOW THE HOB'S MANUFACTURER'S MINIMUM RECOMMENDATIONS. This distance can be reduced if this is indicated by the manufacturer in the cooker hood instruction manual.
- Never leave gas hobs lit if not covered by a container. The fat accumulated in the filters may drip or catch fire when the temperature increases.
- Avoid cooking under the kitchen hood if the metal filters are not fitted, e.g.: while they are being cleaned in the dishwasher.
- You must not produce flames under the kitchen hood.
- Disconnect the appliance before any interior manipulation, e.g. during cleaning or maintenance.
- We recommend the use of gloves and to be extremely careful when cleaning the kitchen hood's interior.
- Your kitchen hood is designed for domestic use and

only for extraction and purification of fumes produced during food preparation. It will be your responsibility if it is used for other purposes, which may be dangerous. The manufacturer cannot accept responsibility for damage caused by improper use of the appliance.

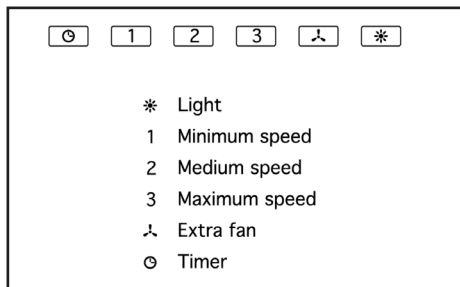
- For repairs please contact the manufacturer's nearest Technical Assistance Service, and always use genuine spare parts. Repairs or modifications carried out by unqualified personnel can cause malfunctions or may damage the appliance, putting your safety in danger.
- This appliance is marked according to the European directive 2002/96/EC on "Waste Electrical and Electronic Equipment" (WEEE). This guideline is the frame of a European-wide validity of return and recycling on Waste Electrical and Electronic Equipment, .
- When the cooker hood is run at the same time as other than electrical appliance or equipment with different energy source, the air extraction (underpressure) must not be higher than 4Pa (4 x 10<sup>-5</sup> bar).
- This device is not meant to be used by persons (including children) whose physical, sensory or mental capacities are reduced, or who lack experience/ knowledge, except if they have supervision or received instructions for using the device by the person responsible for his/her safety. Keep children away from the device and never let them play with it.

## Instructions for use

You can activate or deactivate the cooker hood by operating the functions shown in the diagram.

Switch on the extractor fan a few minutes before you start to cook in order to ensure that a steady air flow has been established before fumes appear.

Allow the extractor fan to run for several minutes after you have finished cooking (between 3 to 5 minutes) in order to expel all the grease from the outlet duct. This prevents the return of grease, smoke and smells.



## Program the working time

Proceed as follows:

- 1.- Choose the required speed.
- 2.- Press "timer". The light will begin to flash. The duration of the "timer" is 10 min. During the programmed time, fan speed can be changed.

The intensive speed is autoprogramed and will change to speed 2 after approximately 10 minutes.

## Cleaning and maintenance

**During cleaning and maintenance work, make sure the safety instructions are complied with.**

### Cleaning the hood body

- If your kitchen hood is made of stainless steel, use proprietary cleaners mentioned in the product instructions.
- If your kitchen hood is painted, use lukewarm water and a neutral soap.
- Never use metallic scourers, nor abrasive or corrosive products.
- Dry the kitchen hood using a cloth that does not produce fibres.
- Do not use vapour cleaners.

### Cleaning the metal filters

To remove the filters from their fittings, press lightly on the locks and then pull them off.

The metal filters can be cleaned by soaking them in hot water with neutral detergent until the fat dissolves and then rinsing them under the tap or using special anti-grease products. They can also be washed in a dishwasher. In this case, it is advisable to stack them vertically to avoid food residues to stick to them.

Cleaning in a dishwasher may damage the metallic surface (blackening it), although this will not affect its fat retention capacity.

Once clean, leave them to dry off and then fit them onto the kitchen hood.

### Changing light bulbs

Proceed as follows:

- Unscrew the lamp cover.
- Change the broken / burnt out lamp.
- Screw the lamp cover back in.

## Problem solving

Proceed with the following checks before calling the Technical Service:

Problem	Possible cause	Solution
The kitchen hood does not work.	The mains cable is not connected to the network. There is no current in the network.	Connect the mains cable to the network. Provide current to the network.
The kitchen hood does not extract sufficiently or vibrates.	Filters are saturated with fat. Obstruction in the air outlet.	Change or clean the active charcoal and/or metal filters. Remove the obstruction.
The lamps do not light up.	The lamps are blown The lamps are slack.	Change the lamps. Tighten the lamps.

### Active charcoal filters (Optional)

When exterior gas extraction is not possible, then the kitchen hood may be set to purify the air by recycling it through active charcoal filters.

The active charcoal filters have an active life of between three to six months, depending on the individual conditions of use. These filters cannot be washed nor regenerated. They must be replaced once their useful life comes to an end.

**The manufacturer reserves the right to make changes and corrections to its products as it deems necessary, without altering their basic characteristics.**





**KÜPPERSBUSCH HAUSGERÄTE GMBH**

Küppersbuschstraße 16 · D-45883 Gelsenkirchen · Postfach 100132 · D-45801 Gelsenkirchen  
Telefon (0209) 401-0 · Telefax (0209) 401-303

**Küppersbusch**