

| 2023/24 CATALOGUE



Küppersbusch



| Brand expertise and excellent design.

It is our vision - and has been for over 145 years - to make kitchens with style possible. We revolutionized the kitchen living space for our customers when Friedrich Küppersbusch introduced the first oven to the market. Every further development always offers new possibilities - more freedom, beauty, functionality, and efficiency - that make the kitchen the stylish centerpiece in every household: a place for individual moments. To make this very vision a reality, we have expanded our design lines.

In addition to our unique GraphiteLine Design now comes our MattBlack Design Line. Minimalist, high-quality, timeless. The MattBlack series impresses with a design that has been reduced to the essentials, which optimally accentuates every kitchen. Well thought-out down to the last detail and equipped with innovative technologies such as our ökotherm® oven catalyst, for cooking experiences at the highest level.

Küppersbusch stands for high-quality built-in kitchen appliances with a design claim. No matter which product you choose, they all have the unmistakable Küppersbusch advantages in common. Our products convince with their perfectly formed design, absolutely intuitive operation, and individual accents.

6 - 7	Küppersbusch quality.
8 - 11	Funktions.
12 - 25	Design lines.
12 - 19	MattBlack.
20 - 25	GraphiteLine.
26 - 59	Ovens & compact appliances.
34 - 35	Ovens. 90 cm
36 - 41	Ovens. Pyrolytic.
42 - 43	Ovens. Steamer
44 - 47	Ovens.
48 - 56	Compact ovens. Steamer. Microwaves.
57 - 59	Microwaves.
60 - 61	Fully-automatic coffee machines.
62 - 63	Drawers.
64 - 113	Hobs & Downdraft.
74 - 79	Hobs. Downdraft. Induction.
80 - 81	Hobs. Honeycomb.
82 - 96	Hobs. Induction.
97 - 99	Hobs. Eletronic.
100 - 101	Hobs. Induction. Gas.
102 - 107	Hobs. Gas.
108 - 113	VarioLine. Hobs.
114 - 131	Cooker hoods.
118	Cooker Hoods. Downdraft. / Built-In. Ceiling canopy hoods.
119	Cooker Hoods. Island.
120 - 123	Cooker Hoods. Chimney.
124 - 126	Cooker Hoods. Built-In. Slimline.
127 - 130	Cooker Hoods. Built-In. Canopy Hoods.
132 - 151	Fresh devices.
135 - 139	Fresh. Fridge-Freezer. Free standing.
141 - 143	Fresh. Wine cooler.
144 - 150	Fresh. Fridge-Freezer. Built-in.
151	Fresh. Refrigerator. Built-under.
152 - 158	Dishwashers.
155	Dishwashers. 60 cm XXL.
156 - 157	Dishwashers. 60 cm.
157	Dishwashers. 45 cm.
158	Dishwasher. Freestanding.
159 - 167	Accessories.
168 - 169	Function overview ovens & compact appliances.
170 - 193	Technical data.





| Excellent **QUALITY**

For more than 145 years, our products have been defined by tangible quality. To us, this means top-quality materials, supreme workmanship and longevity.

With this approach to quality, we have time and again developed kitchen appliances that set new standards in terms of their design, performance and function. Thanks to our quality management system in accordance with DIN ISO 9001, we can structure all our processes in such a way as to give our customers end-to-end quality assurance.



High-quality workmanship: Our all-glass interior door with quadruple glazing is glued absolutely tightly to the stainless steel frame underneath. The materials used guarantee a long service life. The quadruple glazing also ensures very good insulation and thus low energy consumption. Of course, our handles are made of high-quality stainless steel.



Quality you can experience : Inside our ovens is the unique ökotherm® oven catalyst integrated into the rear wall.

Tested quality: The components used under the glass ceramic of our hobs are not only quality-tested, but also technically mature. This means that a wide range of functions can be set in a simple and, above all, easy-to-use way.

Inner qualities: The internal components of our downdraft are also impressive. The high-quality stainless steel box inside the extractor and the stainless steel grease filters used guarantee a long service life.

Top functions for an appetising, healthy and modern diet.



Individual

The Küppersbusch Individual concept offers the option of having all your appliances adapted to suit your personal taste. Depending on the model, there is a choice of white or black as a basic appliance colour. The fully individual look is achieved with one of the six different design kits.



multitherm plus hot-air convection system

A ring heating element located in the back wall of the oven surrounds the fan and enables baking to be done on several levels without any of the food in the oven being tainted with the flavour or the aroma of other food.



ökotherm® oven catalytic converter

Baking and roasting produces grease, cooking odours and suspended matter which all soil the interior of the oven and leave behind ugly traces of grease. The oven fan forces air polluted with grease, odours and suspended matter through the catalytic converter. On doing so all of the undesirable substances are completely converted into water and carbon dioxide. This keeps the oven much cleaner and only clean air escapes from the oven.



Pyrolytic cleaning

Thanks to our pyrolysis technology, arduous manual cleaning of the oven has finally become a thing of the past. While you enjoy your meal, the oven takes care of any greasy spatters inside the oven all by itself. By heating the oven to 500°C, the self-cleaning system reduces all food residues to a fine ash. You can choose between 3 pyrolysis programmes – depending on the degree of dirt. Afterwards, all you need to do is wipe away the ash with a damp cloth, and the oven looks brand new again.



ökoClean

Our perfect cleaning system uses minimal energy and no chemical detergents. Simply place a glass of water in the oven and choose the ökoClean function.



Oven functions

With this number of oven functions, you are sure to find the right one for every taste and every dish.



Automatic programmes

With the huge range of automatic programmes, perfect results are guaranteed. Choose between pastries, fish, meat, vegetables and desserts, enter the weight and select the desired level of doneness. The oven will now select a suitable baking mode and time. Press "Start", and the oven will tell you, when you can serve your meal.



Recipes

A number of complete recipes including ingredients list and method are already integrated in your oven. Simply select the number of people you are cooking for and enjoy.



Favorite programmes

You can save the function settings for your preferred dishes in your favorite programmes. Just like you can save your favorite recipes in your favorites folder – including all the corresponding settings, of course! That way, whenever you choose to make a dish from your digital cookbook, you can be sure it will be perfect.



K-Connect

With K-Connect from Küppersbusch, you can connect via the Küppersbusch app on your phone to the devices equipped with WI-FI. In the app, various things can be set, regulated or switched without even touching the device, simply by operating via the mobile phone.



Soft Open & Close

Gentle and whisper-quiet opening and closing of your appliance door – thanks to the Soft Open & Soft Close technology.



Touch to open

Küppersbusch is following the trend and adapting it to built-in appliances with doors which open automatically with a light touch on the front.



Roasting thermometer

The cooking status, particularly for large pieces of food, is not always easy to judge from the outside. Chefs de cuisine and hobby cooks therefore use a roasting thermometer which gives reliable information on the core temperature and hence on the cooking status of a roast. This means that you can roast any way you want it – rare, medium or well done – at exactly the right temperature.



TFT touch

Control your oven like a smart phone. Simply use the intuitive touch screen menu by tapping and swiping.



Touch control

The touch of a fingertip is sufficient and the functions of the sensor buttons will be activated.



Turn control knobs

If you prefer conventional operation, this product is the right choice. The operation is performed with the help of turn control knobs.



Child safety lock

It is not possible to unintentionally switch on the oven when the child safety lock is activated.



LED lighting

These appliances are featured with modern, very economical LED lighting.



Bright Light

The dishwashers are fitted with economical LED interior lighting, which is activated at the top of the door frame when the door is opened, thus illuminating the interior of the dishwasher in a pleasant light.



Fresh water tank

Küppersbusch steam ovens / coffee machines can easily be integrated into any kitchen, as due to the fresh water tank no additional water supply is necessary.



Inverter technology

Inverter technology in microwave ovens keeps power constant, even at low wattage (Power). In this way, the energy is optimally used and guarantees even heating, ensuring sensitive food is heated without loss of quality.



Automatic defrost and weight function

The automatic defrost and weight function enables different kinds of food to be defrosted gently. Simply select the food category and enter the weight. Everything else will be taken care of by the automatic defrost system.



Electronic steam system

The steam is generated outside the oven in an external steam generator. This creates the right climate in a matter of seconds.

Multisteam

Experience the different possibilities of steam cooking. No matter whether you are choosing pure Steam cooking with 100% steam or combinations with steam and hot air, our models cover all functions. With the combination functions we distinguish between combined steam cooking (50% steam and 50% hot air) and vario-steam cooking (25% steam and 75% hot air).

Steam cooking 30 – 100° C

With steam cooking, temperatures of between 30° C and 100° C can be selected in order to prepare any kind of food in the gentlest, most tasty manner. Fish cooked at a temperature of approx. 70° C has a taste which you shouldn't miss! But Crème Caramel and other delicate dishes are also easy to cook thanks to the fact that the steam temperature is maintained at an absolutely constant level.

Sous-Vide

Cook like a pro: sous-vide cooking involves creating and holding a constant temperature exclusively with the power of steam. This allows you to prepare dishes especially gently or to reheat pre-cooked and vacuum-packed dishes. Ideal in combination with the Küppersbusch vacuum drawer. Energy efficiency classes:



Energy efficiency class

In EU countries, a common energy labelling system provides a guide to how efficiently built-in electric ovens operate.

Fan (fluid dynamic efficiency)

The fan efficiency is a measure of the amount of electrical energy used to transport outgoing air.

Lighting

In addition to energy consumption, the lighting efficiency also provides information on the durability of the light bulb.



Grease deposit level

The grease deposit level is the percentage of grease absorbed by the grease filters of a cooker hood.



Noise level

In accordance with EU standards, the noise level stated has been measured at the maximum basic level.



Suitable for the disabled

Thanks to a remote control, switching the cooker hoods on and operating them is simple for people with disabilities too.



Remote control

Controlling the cooker hood functions by means of remote control allows for more freedom of movement and easier accessibility.



VarioLine

The Küppersbusch VarioLine series harmoniously combines diverse different hob sizes with or without stainless steel frame design.

Induction

Many professional cooks swear by this form of cold energy. Induction can be used more precisely than any other kind of energy – it is extremely fast, can be controlled perfectly, saves energy and is almost safe. The secret of induction cooking: energy is only transmitted to where cookware with a ferrous base has been placed on a cooking zone. This generation of energy direct on the base of the pan ensures extremely short heating up times for food and low energy consumption. And since the cooking zone itself doesn't get hot, nothing can burn on.



Vario Induction

Pots of different sizes and particularly large roasters are no problem on Vario induction hobs. The cooking zones can be used as usual, and there is also the option of activating the two rectangular cooking zones together and combine them with a single control operation to a bridge function.



Bridging function (Flex induction)

Thanks to the bridge function, the size of the cooking zone can be adapted to the needs. The cooking zones are used as usual for small and normal pots. In the case of larger pots or a roasting pan, the cooking zones one behind the other can be combined to form a large surface.



Power booster setting

Küppersbusch induction hobs enable the power level of certain cooking zones to be raised by switching on the power booster setting, which means that heat required is available much more quickly.



STOP-AND-GO-Button

A STOP-AND-GO button makes for extremely convenient safety. With this button you will not be unpleasantly surprised when you unexpectedly need to answer the doorbell or the telephone, all it takes is a light touch on the STOP-AND-GO button and all of the activated cooking zones will be cut off at the setting that has been made. After your return all you need to do is press the button again to restart the cooking process.

Pan and pan size detection

In the case of all induction cooking zones, in addition to the pan detection system there is also a system to detect the size of a pan. Sensors determine the size of the cookware so that when a pan is placed on a cooking zone the induction heating circuit reacts accordingly.



Chef function

The chef function sub-divides the hob into 3 sections (left, centre, right). Individual power settings can be made for each section, and food is cooked by moving cookware to the other sections on the hob and not by changing power settings.



Hob widths

The diverse widths of the Küppersbusch hobs mean flexibility all the way.



DualWok

The DualWok function offers the option of adjusting the flame rings as required - either the inner ring separately or both rings together.



ExactFlame

The ExactFlame function allows the flame to be adjusted precisely and continuously.



One-hand electric spark ignition

When the control knob is pressed in and turned, the electric one-hand spark ignition automatically produces an ignition spark and the relevant cooking zone is ignited.



NoFrost technology

The NoFrost technology ensures the inside of your freezer will remain free from any build-up of ice.

Frost has no chance of settling on the inner walls or on your food. The advantage is that you will never have to defrost your freezer and that it will always work as economically as possible.



ökoFresh+

In this cooling zone with a temperature of nearly 0°C food can be kept fresh for up to three times longer than in a normal fridge section.

FreshZone

The FreshZone area in the refrigerator compartment is slightly cooler than the normal refrigerator compartment. This keeps the food stored there fresh for longer.



MultiAirflow

The fridge is fitted with a function that causes food to cool down quickly and that ensures an even temperature throughout the inside of the fridge. Depending on the model, this function either cuts out automatically or at the push of a button. It is highly useful for restoring the temperature after the door has been opened or when the surrounding temperature is high. When this function is active, the temperature is practically the same throughout the entire fridge, meaning you can store your food on any shelf or in any drawer you please.



ChillerZone

In the ChillerZone, food can be kept fresh at a temperature close to 0°C for up to three times longer than in a normal refrigerator.



CrystalLight

This special interior lighting inhibits bacterial growth and reduces odours in the refrigerator compartment.



IonClean

IonClean ensures good odours inside the device. The integrated ioniser prevents odour-forming bacteria from settling.

Water safety system

Even if the system is switched off or in the event of a power failure, the water safety system protects the dishwasher reliably and safely against any damage caused by water.



AquaSensor

The AquaSensor makes sure that your dishwasher uses no more water than necessary. No more, and no less. A sensor checks the water for the tiniest particles of dirt. It tests the water at the end of the pre-rinse cycle to see if it can be reused for the main wash cycle. If the water is too dirty, fresh water is taken in. However, if the rinse water is clean enough, it will be reused and you will save on water.



Beam on floor

Fully integrated dishwashers do not inform you immediately on their operating status. With the "Beam on floor" signal - a red dot which is displayed on the floor - you will know immediately whether the rinsing cycle has been completed or not.



Express system

Rinse and dry twice as fast with the express system. If this programme is selected, the rinsing time is reduced by up to 50%. An optimal rinsing result is guaranteed.



Glass care system

Glasses can be adversely affected by the kind of water they come into contact with. The Küppersbusch glass care system not only adjusts the water hardness level, it also prevents thermal shock, which can occur if excessively hot water comes into contact with glass.



Tab detergent recognition

The automatic detergent recognition function adapts the washing cycles automatically to the type of detergent tablet being used, ensuring the best possible results.

**Fixed furniture door system**

In the case of the fixed furniture door system the hinges of the refrigerator doors are attached to the refrigerator and the back of the kitchen furniture door.

**Sliding-rail furniture door system**

In the case of the sliding rail furniture door system the hinges of the furniture door are attached to the back of the latter and the inside of the furniture niche. A sliding rail on the front of the refrigerator attaches the door of the kitchen furniture to the refrigerator.

**Quick installation**

This refers to convenience when installing built-in products.

**FlexHinge**

No matter how your kitchen looks like: long or extra thick furniture fronts, low plinths. The corresponding furniture front is fixed to the FlexHinge, thereby pushing the door up when opening and a bumping on the plinth is prevented.

**Niche height**

The niche height is the height of the required kitchen unit niche in cm.

**Niche width**

This symbol indicates the required niche or cut-out width.

**Wall-hanging cabinet width**

Wall-hanging cabinet width defines the wall-hanging cabinet required for installation in cm.

**Appliance width**

This symbol indicates the width of the appliance in cm.

**Niche width**

The niche width is the width of the required kitchen unit niche in cm.

**Niche height**

The niche height is the height of the required kitchen unit niche in cm.



19:04

19:04



- OK +

Küppersbusch

| Design line MattBlack |

Black, matt surfaces have a tradition in the kitchen area and also outside it - in home decor, in the furniture or car industry. In line with current design trends, there is a revival of the matt surface in the kitchen, in true Küppersbusch style.

The Küppersbusch MattBlack series is a clear statement of taste and a return to our roots in the Ruhr region. Minimalist, high-quality, timeless.

This series, consisting of ovens, compact appliances, induction hob, induction hob with extraction, etc., impresses with a design that has been reduced to the essentials - and which shows off every kitchen to its best advantage. Well thought-out down to the last detail - and equipped with innovative technologies such as our ökotherm® oven catalyst for cooking experiences at the highest level.

OVENS. PYROLYTIC. K-SERIES.3



MattBlack, including steel handle



BP 6332.0 MattBlack **NEW**

- Professional 340°C pizza function
- Pyrolytic self-cleaning (3 levels)
- 6 oven functions, 2 special functions
- Oven control with high-quality aluminum control knobs
- Electronic clock (cooking time, end of cooking time, minute minder) with white display
- Removable full glass inner door, quadruple glazed
- Rapid heating
- Oven lighting
- 70 litres XXL capacity

Technical data:

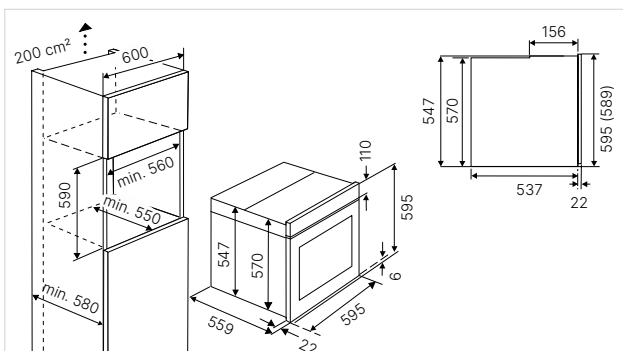
- Electrical connection 3.6 kW ready to plug in (Schuko-plug)

Standard accessories:

- 1 enamel baking tray; 1 enamel universal/deep tray; 1 roasting grid; 1 telescopic glide-out shelf (standard glide-out) (ZB 1003); 1 Baking stone with lifter

Available from 11/23

BP 6332.0 S KSM6 MattBlack, including handle



OVENS. STEAMER. K-SERIES.3



MattBlack, including steel handle



BD 6340.0 MattBlack **NEW**

- 8 oven functions
- 4 steam functions
- **External steam generator**
- Oven control with high-quality aluminum control knobs
- Electronic clock (cooking time, end of cooking time, minute minder) with white display
- **Removable full glass inner door with a stainless steel frame**, quadruple glazed
- Rapid heating
- Oven lighting
- 70 litres XXL capacity

Technical data:

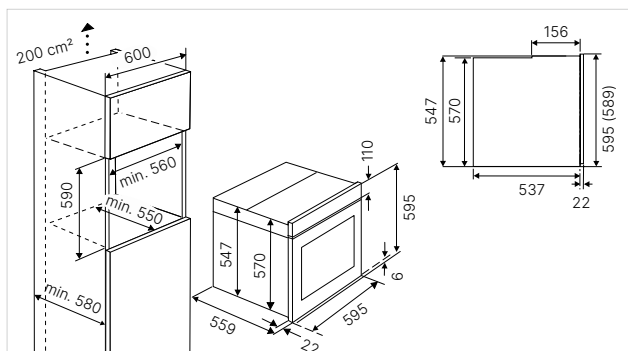
- Electrical connection 3.6 kW ready to plug in (Schuko-plug)

Standard accessories:

- 1 enamel baking tray; 1 roasting grid, 1 perforated cooking tray, 1 non-perforated cooking tray, 1 telescopic glide-out shelf (standard glide-out ZB 1003)

Available from 11/23

BD 6340.0 S KSM6 MattBlack, including handle



COMPACT. OVENS. MICROWAVES. K-SERIES.3



MattBlack, including steel handle



CBM 6330.0 MattBlack **NEW**

- 8 oven functions
- 3 microwave functions (microwave only, microwave + grill, microwave + hot air)
- 5 microwave output levels
- Microwave output 1,000 W
- Quick-start function
- Oven control with high-quality aluminum control knobs
- Electronic clock (cooking time, end of cooking time, minute minder) with white display
- Door, triple glazed
- Halogen lighting
- 43 litres capacity

Technical data:

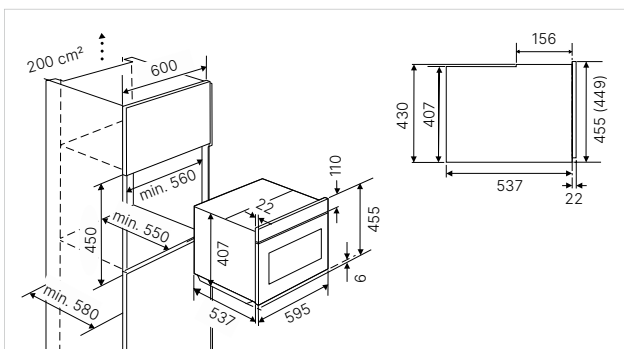
- Electrical connection 3.4 kW ready to plug in (Schuko-plug)

Standard accessories:

- 1 enamel baking tray; 1 universal/deep tray, glass; 1 roasting grid

Available from 11/23

CBM 6350.0 S KSM6 MattBlack, including handle



MICROWAVES (38 CM NICHE). K-SERIES.3



MattBlack



ML 6330.0 MattBlack (left hinging door) **NEW** MR 6330.0 MattBlack (right hinging door) **NEW**

- 3 microwave functions (microwave only, microwave + grill, and grill only)
- 5 microwave output levels
- Microwave output 850 W
- Grill 1200 W
- 14 automatic programmes
- Control with high-quality aluminum control knobs
- Electronic clock with white display
- Stand-by mode
- Stainless steel oven cavity with ceramic plate
- Oven lighting
- 22 litres Stainless steel oven cavity
- Choice of door hinge (see model)

Technical data:

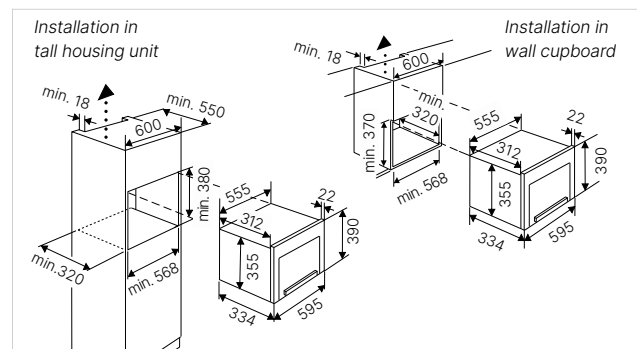
- Electrical connection 2.5 kW ready to plug in (Schuko-plug)
- Oven cavity dimensions W x H x D approx. 350 x 220 x 280 mm

Standard accessories:

- 1 roasting grid

Available from 11/23

ML / MR 6330.0 S KSM MattBlack



COMPACT. COFFEE. FULLY-AUTOMATIC. K-SERIES.8



Black, Design Stainless Steel



CKV 6800.0 MattBlack NEW

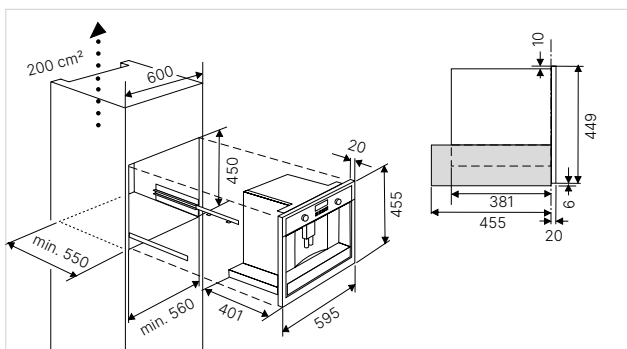
- TFT touch display with graphic and clear text display in 18 languages
- Electronic control via TFT touch display
- Favourite programmes for saving own settings
- 16 programmes
- Quantity programming for 5 different cup sizes
- Output for 1 or 2 cups
- Real milk function for cappuccino, latte macchiato, caffè latte or milk frothing
- Removable milk container with cleaning function
- Use of coffee beans and coffee powder possible
- Height-adjustable coffee spout from espresso cup to latte macchiato glass (approx. 85-140 mm)
- 3 different coffee temperatures adjustable
- Adjustable coffee aroma (5 preset coffee strengths)
- Descaling programme
- Automatic cleaning when switching on and off
- Hot water function
- Water container removable from the front
- Standby mode
- Telescopic rails for easy re-filling

Technical data:

- Electrical connection 1.35 kW ready to plug in (Schuko-plug)

Available from 11/23

CKV 6800.0 KSM MattBlack



COMPACT. DRAWERS. WARM. K-SERIES.8



With glass front MattBlack



CSW 6800.0

- Ideal complement for a 45 cm high appliance for a 59 cm high built-in niche
- Glass front (see optional accessories) or existing furniture mountable
- Electr. variable power control from 30°C-80°C with touch sensors
- Electronic clock (warming time, end of warming time) with red display
- Switch-off feature up to 4 hours
- Suitable for keeping warm, defrosting, low temperature cooking, doughing and warming dishes
- Capacity (dependent on tableware-size): Dinner service for 6 persons or 20 plates with Ø 28 cm or 80 espresso cups or 40 cappuccino cups
- Telescopic rails

Technical data:

- Electrical connection 0.4 kW
- Inner dimensions W x H x D approx. 410 × 105 × 490 mm

Standard accessories:

- Non-slip inlay

Optional accessories:

- Glass front MattBlack* Acc. no. ZC 8024

Available from 11/23

COMPACT. DRAWERS. ACC. K-SERIES.8



With glass front MattBlack



CSZ 6800.0

- Ideal accessory for being combined with a 45 cm compact appliance, offering additional stowage in a 59 cm high niche
- Glass front (see optional accessories) or existing furniture mountable
- Telescopic rails
- Stainless steel oven cavity

Technical data:

- Inner dimensions W x H x D approx. 445 × 105 × 490 mm

Standard accessories:

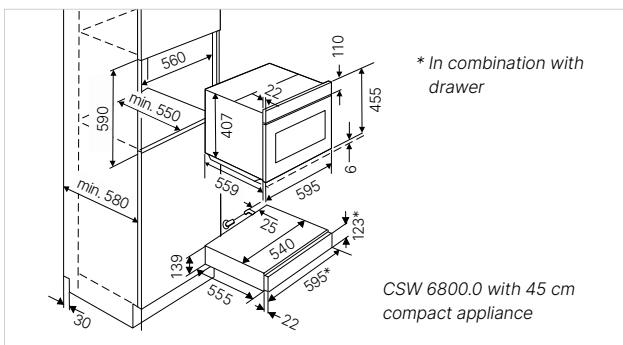
- Non-slip inlay

Optional accessories:

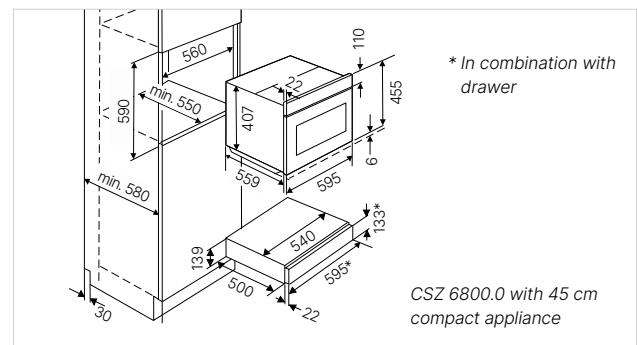
- Glass front MattBlack* Acc. no. ZC 8024

Available from 11/23

CSW 6800.0 without glass front



CSZ 6800.0 without glass front



HOBS. INDUCTION. K-SERIES.5



Frameless



KI 8550.0 MattBlack **NEW**

- 10-level power controls "glideControl+" (power booster setting incl.) with red display
 - 8 automatic cooking functions: melting, keeping warm, pasta cooking, poaching, confit, frying, roasting, grilling
 - Bridge function, right cooking zones can be switched together
 - PowerManagement
 - Residual heat indicator
 - Minute minder with switchoff feature
 - Central switchoff control
 - Holiday shutdown device (limiting operation duration time)
 - 1 cooking zone \varnothing 280 mm / 2,100 W (2,500 W*)
 - 2 cooking zones 228 x 200 mm / 1.750 W (2,000 W*)
 - 1 cooking zone \varnothing 150 mm / 1,200 W (1,600 W*)
- *with power booster setting

Technical data:

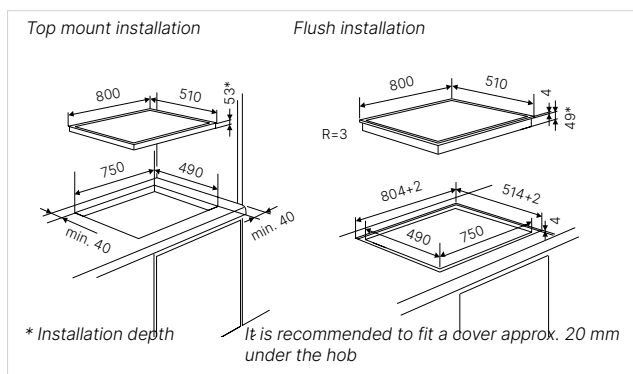
- Electrical connection 7.2 kW
- Appliance dimensions W x D approx. 800 x 510 mm
Installation depth 53 mm
- Niche dimensions W x D approx. 750 x 490 mm
(for flush installation please refer to the building-in diagrams)

Optional accessories:

- FlexiGrill Acc. no. 1303

Available from 11/23

KI 8550.0 KSMR MattBlack, frameless



COOKER HOODS. CHIMNEY. HEADROOM CONCEPT. K-SERIES.5



DW 8550.0 MattBlack **NEW**

- 4 power levels incl. Intensive power level
- Extraction rate (to the outside): max. normal power setting 411 m³/h, intensive power setting 726 m³/h
- Electronic control with touch control sensors
- Digital display
- Rim suction technology
- FreshAir function
- Automatic delay stop
- Filter saturation indicator
- Drop down glass panel
- Metal grease filter
- Recirculation mode possible (see optional accessories)

Technical data:

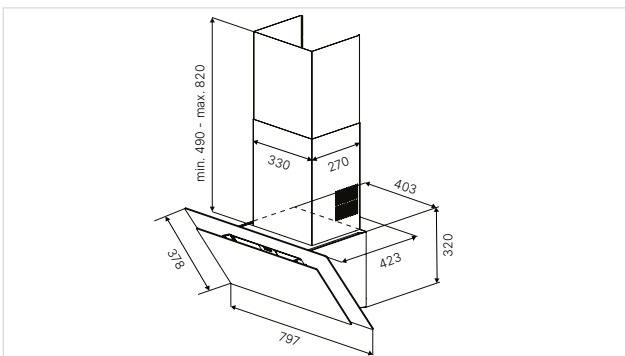
- Electrical connection 284 W
- Appliance dimensions W x H x D approx. (without chimney) 800 × 1.001-1.331 × 450 mm
- Exhaust air connection Ø 150 mm
- LED light colour 4,000 - 4,500 Kelvin

Optional accessories:

- PlasmaMade filter Acc. no. ZD 8000
- Charcoal filter Acc. no. ZD 1018

Available from 11/23

DW 8550.0 KSM MattBlack



20:18

M ⏸ 🔍 ↩ OK

Küppersbusch



20:18

🔍 M ⏸ 🔍 ↩ OK

Küppersbusch





| Design line GraphiteLine |

Deep down in the old coal mines of the Ruhr region in Germany, miners faced an extremely tough job, where there was no room for error. These men understood loyalty and honour in a unique way, and this spirit lives on in this region.

The new Graphite series pays tribute to these men and this way of life, combining the roots of the region where the Küppersbusch brand was founded with painstaking work to achieve a product that is one of a kind.

OVENS. PYROLYTIC. K-SERIES.3



reddot award
product design 2022

Graphite, including steel handle black



BP 6350.0 Graphite

- Pyrolytic self-cleaning (3 levels)
- 10 oven functions
- 10 automatic programmes
- 3,9" TFT Display with graphic display
- Electronic oven control with high-quality aluminum control knobs
- Actual temperature indication and temperature-recommendation
- Electronic clock (cooking time, end of cooking time, minute minder) with white display
- Retro clock function
- Removable full glass inner door, quadruple glazed
- Rapid heating
- Demo mode
- Halogen lighting
- 70 litres XXL capacity

Technical data:

- Electrical connection 3.6 kW ready to plug in (Schuko-plug)

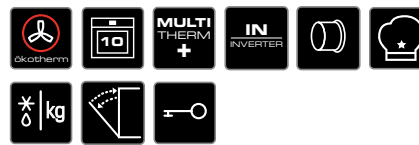
Standard accessories:

- 1 enamel baking tray; 1 enamel universal/deep tray; 1 roasting grid

COMPACT. OVENS. MICROWAVES. K-SERIES.3



Graphite, including steel handle black



CBM 6350.0 Graphite

- 10 oven functions
- 2 microwave functions (microwave only, combined with any oven function)
- 10 microwave output levels
- Microwave output 1,000 W
- Quick-start function
- 10 automatic programmes
- 3,9" TFT Display with graphic display
- Electronic oven control with high-quality aluminum control knobs
- Actual temperature indication and temperature-recommendation
- Electronic clock (cooking time, end of cooking time, minute minder) with white display
- Retro clock function
- Door, triple glazed
- Rapid heating
- Demo mode
- Door, double glazed
- Halogen lighting
- 43 litres capacity

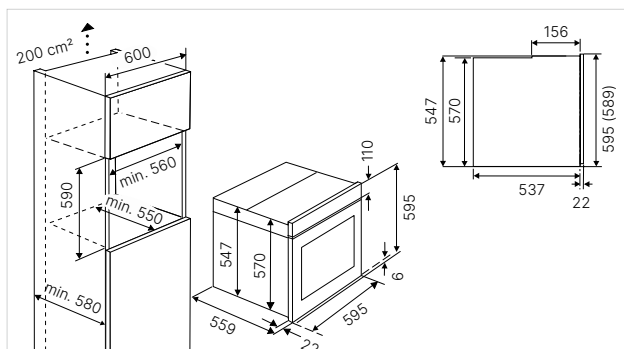
Technical data:

- Electrical connection 3.4 kW ready to plug in (Schuko-plug)

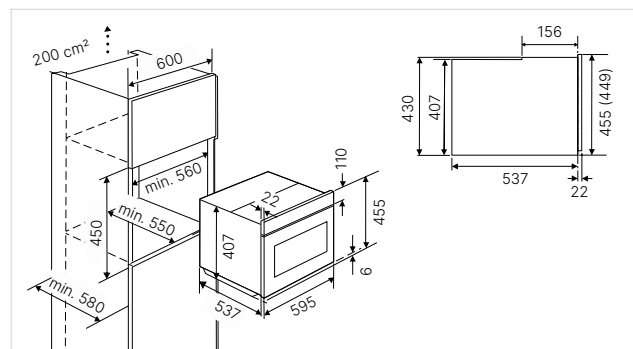
Standard accessories:

- 1 universal/deep tray, glass; 1 roasting grid

BP 6350.0 GPH6 Graphite, including steel handle black



CBM 6350.0 GPH6 Graphite, including steel handle black



MICROWAVES (38 CM NICHE). K-SERIES.3



Graphite



ML 6330.0 Graphite (left hingeing door) **NEW**

MR 6330.0 Graphite (right hingeing door)

- 3 microwave functions (microwave only, microwave + grill, and grill only)
- 5 microwave output levels
- Microwave output 850 W
- Grill 1200 W
- 14 automatic programmes
- Control with high-quality aluminum control knobs
- Electronic clock with white display
- Stand-by mode
- Stainless steel oven cavity with ceramic plate
- Oven lighting
- 22 litres Stainless steel oven cavity
- Choice of door hinge (see model)

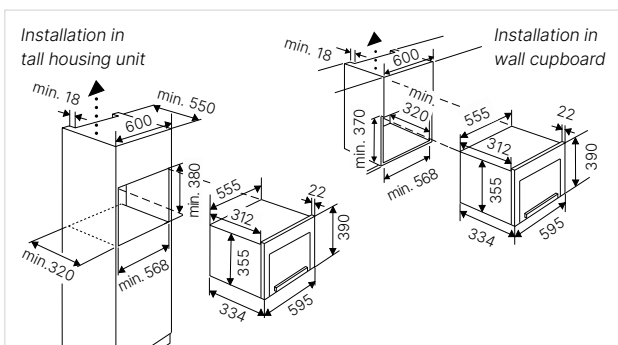
Technical data:

- Electrical connection 2.5 kW ready to plug in (Schuko-plug)
- Oven cavity dimensions
W x H x D approx. 350 × 220 × 280 mm

Standard accessories:

- 1 roasting grid

ML / MR 6330.0 GPH Graphite



COMPACT. DRAWERS. WARM. K-SERIES.8



With glass front Graphite



CSW 6800.0

- Ideal complement for a 45 cm high appliance for a 59 cm high built-in niche
- Glass front (see optional accessories) or existing furniture mountable
- Electr. variable power control from 30°C-80°C with touch sensors
- Electronic clock (warming time, end of warming time) with red display
- Switch-off feature up to 4 hours
- Suitable for keeping warm, defrosting, low temperature cooking, doughing and warming dishes
- Capacity (dependent on tableware-size): Dinner service for 6 persons or 20 plates with Ø 28 cm or 80 espresso cups or 40 cappuccino cups
- Telescopic rails

Technical data:

- Electrical connection 0.4 kW
- Inner dimensions
W x H x D approx. 410 × 105 × 490 mm

Standard accessories:

- Non-slip inlay

Optional accessories:

- Glass front graphite Acc. no. ZC 8023

COMPACT. DRAWERS. ACCESSORY. K-SERIES.8



With glass front Graphite



CSZ 6800.0

- Ideal accessory for being combined with a 45 cm compact appliance, offering additional stowage in a 59 cm high niche
- Glass front (see optional accessories) or existing furniture mountable
- Telescopic rails
- Stainless steel oven cavity

Technical data:

- Inner dimensions W x H x D approx. 445 × 105 × 490 mm

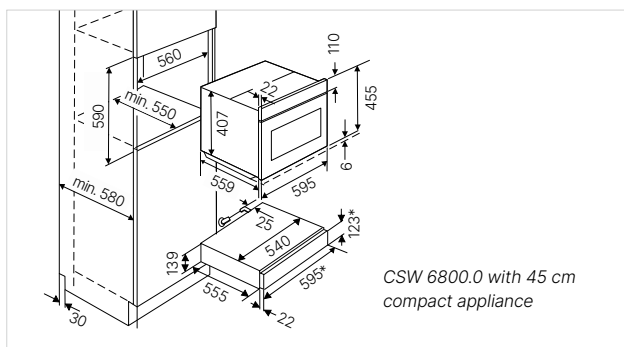
Standard accessories:

- Non-slip inlay

Optional accessories:

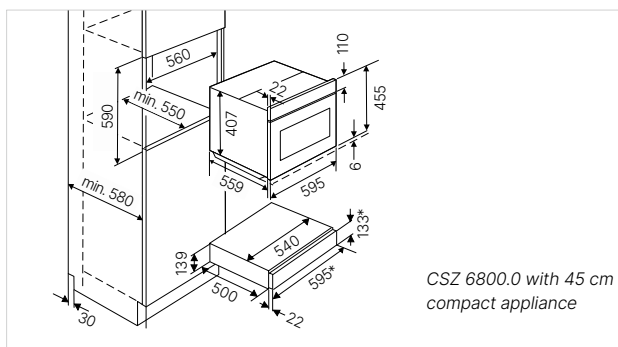
- Glass front graphite Acc. no. ZC 8023

CSW 6800.0 without glass front



* In combination with drawer

CSZ 6800.0 without glass front



* In combination with drawer



| Individual and intuitive.

OVENS & COMPACT APPLIANCES

In 1875 we placed our first oven on the market, in these days the best one. Discover the new ovens and compact appliances by Küppersbusch. With plenty of innovative details that are sure to inspire your passion for cooking.





Küppersbusch



| Küppersbusch INDIVIDUAL

Nobody is like you. Always stay true to yourself, even in your kitchen, and adapt your Küppersbusch appliances to your preferences with the Individual Concept.

Everyone likes different things. Different colours. Different fashions. Different music. The individuality, the uniqueness of personality is what makes every human being what he or she is. The Küppersbusch Individual Concept offers you the opportunity to adapt our appliances to your personal preferences. For example, you can choose your appliance fronts to be black or white. The design kits are available for ovens, compact appliances, induction hobs with integrated hood, cooker hoods and wine coolers.

Maximum variability, individual style.





| Küppersbusch ÖKOTHERM®

The unique ökotherm® catalytic converter inside your oven ensures purity and cleanliness right from the outset! Baking and cooking fumes in your kitchen will be a thing of the past.

Energy-saving! The process releases energy – this is returned to into the oven and reused to bake and cook. That saves energy!

Tasty! Prepared food stay especially moist and the natural aroma is preserved.

Fresh air! The air in your kitchen will be palpably fresher and less contaminated with grease.



Scan the QR code and find out.

| For inspiring cooking. Steam ovens.

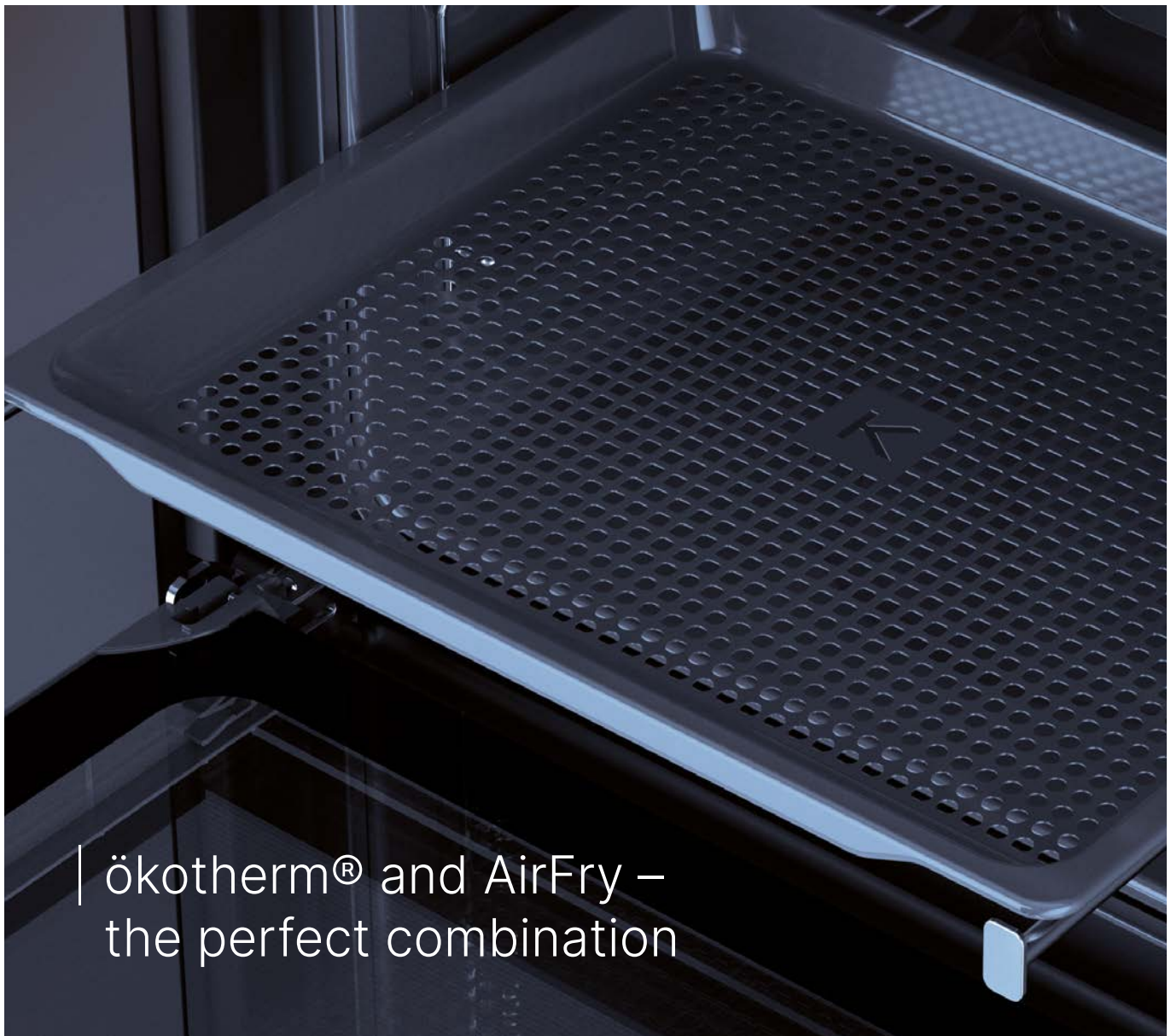
Realise your highest culinary visions quite simply with the gentle and flavour-intensive preparation in the steam ovens from Küppersbusch.

With the Küppersbusch ovens with steam function, you can choose to do pure steam cooking with 100% steam or use a combination of steam and hot air. So you can select the perfect setting for every dish you cook.

In addition, inspire your guests with high-cuisine methods such as **sous-vide cooking**.



Scan the QR code and find out.



| ökotherm® and AirFry –
the perfect combination



Healthy frying with the AirFry tray.

Whether French fries, chicken wings or vegetable sticks - the result is convincing. The ingredients are placed directly on the AirFry tray, drizzled with a few drops of oil, seasoned and placed in the oven.

This way you get perfect cooking results without an additional appliance in the kitchen. This is not only frying without the smell of grease, but also saves space.



Scan the QR code and find out.



| A piece of Italy for your home.



In the new ovens with professional pizza function, you can make a real Pizza Napoletana just like in a stone oven. Crispy and delicious in just 3 minutes* thanks to the perfect 340° C temperature.

In addition to the professional pizza function, Küppersbusch offers other highlights:

A pizza stone, a professional pizza lifter and a telescopic pull-out are standard features.

The other 7 baking or special baking functions offer the perfect solution for every taste.

And the pyrolysis self-cleaning or the gentle ökoClean function also takes care of cleaning.

** Previous preheating required.*



Scan the QR code and find out.



OVENS.

K-SERIES.3



Black, Design Stainless Steel



B 9330.0

- 8 oven functions, 1 special function
- Oven control with high-quality aluminum control knobs
- Electronic clock (cooking time, end of cooking time, minute minder) with white display
- Removable full glass inner door, triple glazed
- Rapid heating
- Oven lighting
- 77 litres XXL capacity

Technical data:

- Electrical connection 3.6 kW ready to plug in (Schuko-plug)

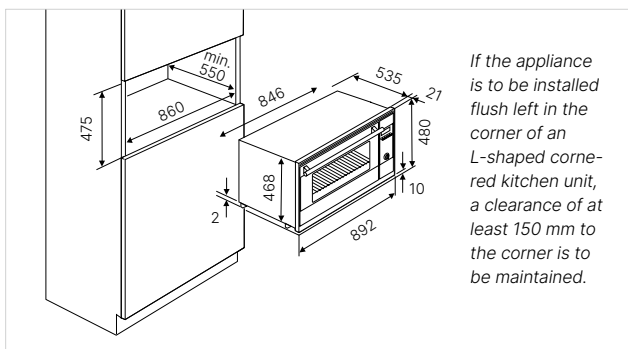
Standard accessories:

- 1 enamel baking tray; 1 enamel universal/deep tray;
- 1 roasting grid, 1 telescopic glide-out shelf (full glide-out),
- 1 telescopic glide-out shelf (standard glide-out),
- 1 Baking stone

Design kits:

- Design Stainless Steel Acc. no. DK 1004
- Design Black Chrome Acc. no. DK 2004
- Design Silver Chrome Acc. no. DK 3004
- Design Gold Acc. no. DK 4004
- Design Black Velvet Acc. no. DK 5004

B 9330.0 S Black + Design kit Acc. no. ...



OVENS. PYROLYTIC. K-SERIES.8



Black, Design Stainless Steel



BP 6850.0

- Pyrolytic self-cleaning (3 levels)
- 14 oven functions, 11 special functions
- More than 80 automatic programmes
- 56 favorite programmes for saving own processes
- 5,0" TFT-Touch-Display with clear text and graphic display
- Electronic oven control by TFT-Touch-Display
- Actual temperature indication and temperature-recommendation
- Multilevel-Timer
- Electronic clock (cooking time, end of cooking time, minute minder) with white display
- Retro clock function
- Removable full glass inner door, quadruple glazed
- Rapid heating
- Eco mode, Demo mode, Stand-by mode
- 70 litres XXL capacity

Technical data:

- Electrical connection 3,6 kW ready to plug in (Schuko-plug)

Standard accessories:

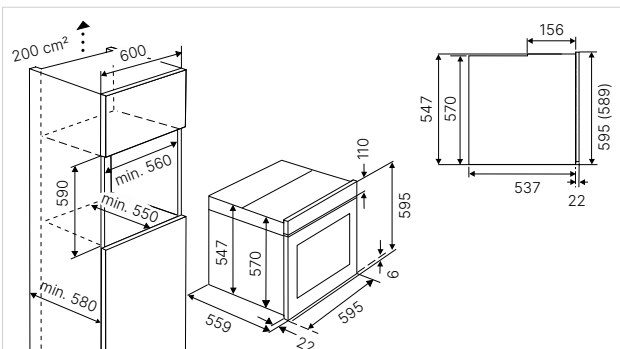
- 1 enamel baking tray; 1 enamel universal/deep tray; 1 roasting grid, 1 telescopic glide-out shelf (full glide-out ZB 1002); 1 telescopic glide-out shelf (standard glide-out ZB 1003)

Design kits:

- Design Stainless Steel Acc. no. DK 1000
- Design Black Chrome Acc. no. DK 2000
- Design Silver Chrome Acc. no. DK 3000
- Design Gold Acc. no. DK 4000
- Design Black Velvet Acc. no. DK 5000
- Design Copper Acc. no. DK 7000

BP 6850.0 S

Black + Design kit Acc. no. ...



K-SERIES.5



Black, Design Stainless Steel



BP 6550.0

- Pyrolytic self-cleaning (3 levels)
- 14 oven functions, 8 special functions
- More than 40 automatic programmes
- 20 favorite programmes for saving own processes
- 3,9" TFT-Display with clear text and graphic display
- Electr. oven control by means of back-lit sensor touch controls
- Actual temperature indication and temperature-recommendation
- Electronic clock (cooking time, end of cooking time, minute minder) with white display
- Retro clock function
- Removable full glass inner door, quadruple glazed
- Rapid heating
- Eco mode, Demo mode, Stand-by mode
- Halogen lighting
- 70 litres XXL capacity

Technical data:

- Electrical connection 3.6 kW ready to plug in (Schuko-plug)

Standard accessories:

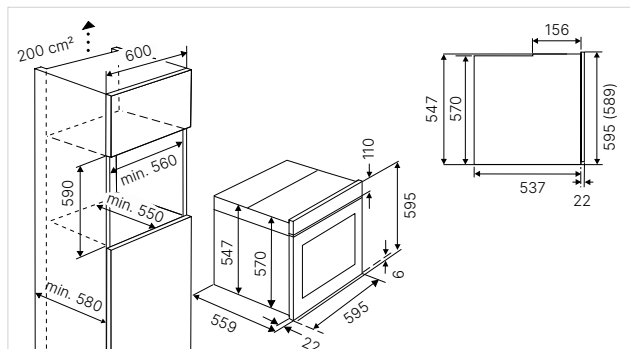
- 1 enamel baking tray; 1 enamel universal/deep tray; 1 roasting grid, 1 telescopic glide-out shelf (standard glide-out ZB 1003)

Design kits:

- Design Stainless Steel Acc. no. DK 1000
- Design Black Chrome Acc. no. DK 2000
- Design Silver Chrome Acc. no. DK 3000
- Design Gold Acc. no. DK 4000
- Design Black Velvet Acc. no. DK 5000
- Design Copper Acc. no. DK 7000

BP 6550.0 S

Black + Design kit Acc. no. ...



OVENS. PYROLYTIC. K-SERIES.5



White, Design Stainless Steel



BP 6550.0

- Pyrolytic self-cleaning (3 levels)
- 14 oven functions, 8 special functions
- More than 40 automatic programmes
- 20 favorite programmes for saving own processes
- 3,9" TFT-Display with clear text and graphic display
- Electr. oven control by means of back-lit sensor touch controls
- Actual temperature indication and temperature-recommendation
- Electronic clock (cooking time, end of cooking time, minute minder) with white display
- Retro clock function
- Removable full glass inner door, quadruple glazed
- Rapid heating
- Eco mode, Demo mode, Stand-by mode
- Halogen lighting
- 70 litres XXL capacity

Technical data:

- Electrical connection 3.6 kW ready to plug in (Schuko-plug)

Standard accessories:

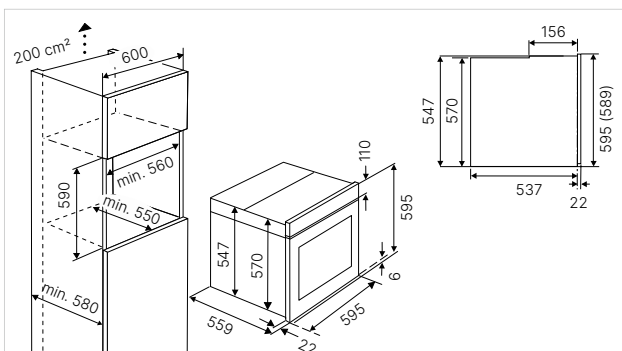
- 1 enamel baking tray; 1 enamel universal/deep tray; 1 roasting grid, 1 telescopic glide-out shelf (standard glide-out ZB 1003)

Design kits:

- Design Stainless Steel Acc. no. DK 1000
- Design Black Chrome Acc. no. DK 2000
- Design Silver Chrome Acc. no. DK 3000
- Design Gold Acc. no. DK 4000
- Design Black Velvet Acc. no. DK 5000
- Design Copper Acc. no. DK 7000

BP 6550.0 W

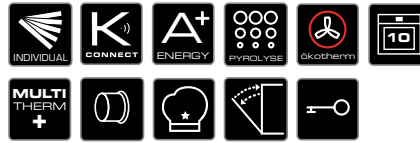
White + Design kit Acc. no. ...



K-SERIES.3



Black, Design Stainless Steel with ökoTherm® AirFry



BP 6381.0 NEW

- K-Connect
- Pyrolytic self-cleaning (3 levels)
- 10 oven functions
- 10 automatic programmes
- 3,9" TFT Display with graphic display
- Electronic oven control with high-quality aluminum control knobs
- Actual temperature indication and temperature-recommendation
- Electronic clock (cooking time, end of cooking time, minute minder) with white display
- Retro clock function
- Removable full glass inner door, quadruple glazed
- Rapid heating
- Demo mode
- Halogen lighting
- 70 litres XXL capacity

Technical data:

- Electrical connection 3.6 kW ready to plug in (Schuko-plug)

Standard accessories:

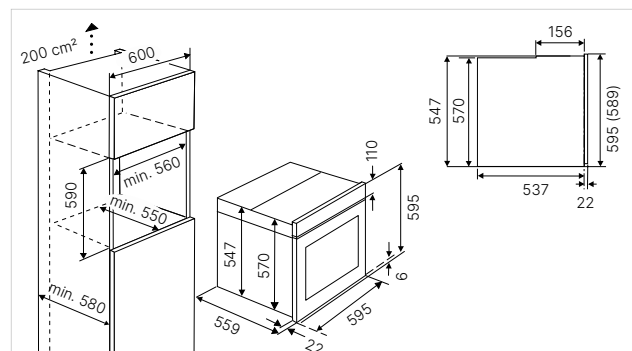
- 1 enamel baking tray; 1 enamel universal/deep tray; 1 roasting grid, 1 AirFry tray, 2 telescopic glide-out shelves (standard glide-out ZB 1003)

Design kits:

- Design Stainless Steel Acc. no. DK 1000
- Design Black Chrome Acc. no. DK 2000
- Design Silver Chrome Acc. no. DK 3000
- Design Gold Acc. no. DK 4000
- Design Black Velvet Acc. no. DK 5000
- Design Copper Acc. no. DK 7000

BP 6381.0 S

Black + Design kit Acc. no. ...



OVENS. PYROLYTIC. K-SERIES.3



Graphite, including steel handle black



BP 6350.0 Graphite

- Pyrolytic self-cleaning (3 levels)
- 10 oven functions
- 10 automatic programmes
- 3,9" TFT Display with graphic display
- Electronic oven control with high-quality aluminum control knobs
- Actual temperature indication and temperature-recommendation
- Electronic clock (cooking time, end of cooking time, minute minder) with white display
- Retro clock function
- Removable full glass inner door, quadruple glazed
- Rapid heating
- Demo mode
- Halogen lighting
- 70 litres XXL capacity

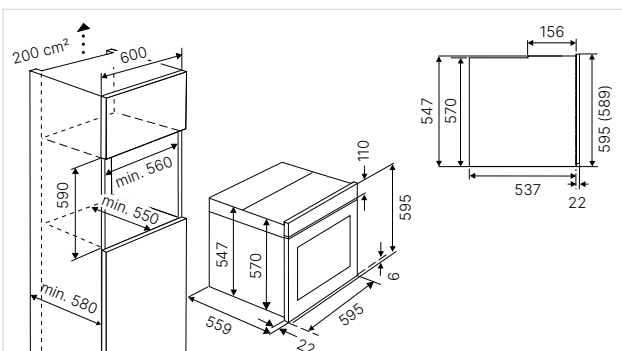
Technical data:

- Electrical connection 3.6 kW ready to plug in (Schuko-plug)

Standard accessories:

- 1 enamel baking tray; 1 enamel universal/deep tray; 1 roasting grid

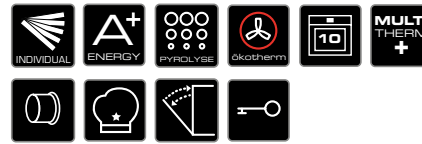
BP 6350.0 GPH6 Graphite, including steel handle black



K-SERIES.3



Black, Design Stainless Steel with ökotherm® AirFry



BP 6350.0

- Pyrolytic self-cleaning (3 levels)
- 10 oven functions
- 10 automatic programmes
- 3,9" TFT Display with graphic display
- Electronic oven control with high-quality aluminum control knobs
- Actual temperature indication and temperature-recommendation
- Electronic clock (cooking time, end of cooking time, minute minder) with white display
- Retro clock function
- Removable full glass inner door, quadruple glazed
- Rapid heating
- Demo mode
- Halogen lighting
- 70 litres XXL capacity

Technical data:

- Electrical connection 3.6 kW ready to plug in (Schuko-plug)

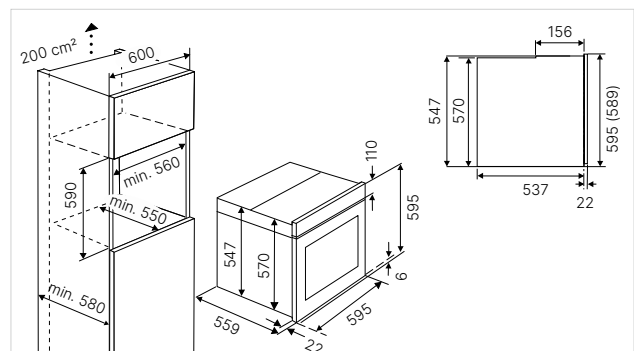
Standard accessories:

- 1 enamel baking tray; 1 enamel universal/deep tray; 1 roasting grid, 1 AirFry tray

Design kits:

- Design Stainless Steel Acc. no. DK 1000
- Design Black Chrome Acc. no. DK 2000
- Design Silver Chrome Acc. no. DK 3000
- Design Gold Acc. no. DK 4000
- Design Black Velvet Acc. no. DK 5000
- Design Copper Acc. no. DK 7000

BP 6350.0 S -AirFry Black + Design kit Acc. no. ...



OVENS. PYROLYTIC. K-SERIES.3



Black, Design Stainless Steel



BP 6350.0

- Pyrolytic self-cleaning (3 levels)
- 10 oven functions
- 10 automatic programmes
- 3,9" TFT Display with graphic display
- Electronic oven control with high-quality aluminum control knobs
- Actual temperature indication and temperature-recommendation
- Electronic clock (cooking time, end of cooking time, minute minder) with white display
- Retro clock function
- Removable full glass inner door, quadruple glazed
- Rapid heating
- Demo mode
- Halogen lighting
- 70 litres XXL capacity

Technical data:

- Electrical connection 3.6 kW ready to plug in (Schuko-plug)

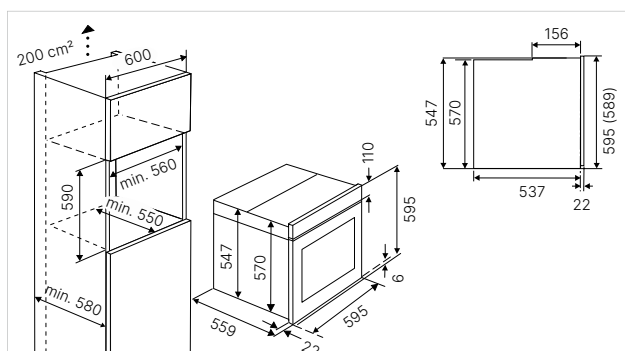
Standard accessories:

- 1 enamel baking tray; 1 enamel universal/deep tray; 1 roasting grid

Design kits:

- Design Stainless Steel Acc. no. DK 1000
- Design Black Chrome Acc. no. DK 2000
- Design Silver Chrome Acc. no. DK 3000
- Design Gold Acc. no. DK 4000
- Design Black Velvet Acc. no. DK 5000
- Design Copper Acc. no. DK 7000

BP 6350.0 S Black + Design kit Acc. no. ...



OVENS. PYROLYTIC. K-SERIES.3



MattBlack, including steel handle



BP 6332.0 MattBlack **NEW**

- Professional 340°C pizza function
- Pyrolytic self-cleaning (3 levels)
- 6 oven functions, 2 special functions
- Oven control with high-quality aluminum control knobs
- Electronic clock (cooking time, end of cooking time, minute minder) with white display
- Removable full glass inner door, quadruple glazed
- Rapid heating
- Oven lighting
- 70 litres XXL capacity

Technical data:

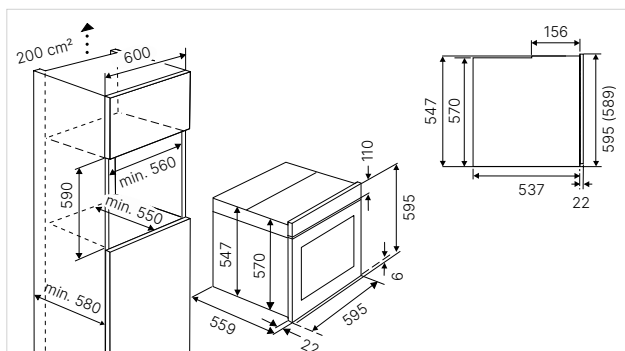
- Electrical connection 3.6 kW ready to plug in (Schuko-plug)
- Niche dimensions W x H x D approx. 560 x 590 x 550 mm

Standard accessories:

- 1 enamel baking tray; 1 enamel universal/deep tray; 1 roasting grid; 1 telescopic glide-out shelf (standard glide-out ZB 1003); 1 Baking stone with lifter

Available from 11/23

BP 6332.0 S KSM6 MattBlack, including handle



K-SERIES.3



Black, Design Stainless Steel with ökoTHERM® AirFry



BP 6332.0 **NEW**

- Professional 340°C pizza function
- Pyrolytic self-cleaning (3 levels)
- 6 oven functions, 2 special functions
- Oven control with high-quality aluminum control knobs
- Electronic clock (cooking time, end of cooking time, minute minder) with white display
- Removable full glass inner door, quadruple glazed
- Rapid heating
- Oven lighting
- 70 litres XXL capacity

Technical data:

- Electrical connection 3.6 kW ready to plug in (Schuko-plug)
- Niche dimensions W x H x D approx. 560 x 590 x 550 mm

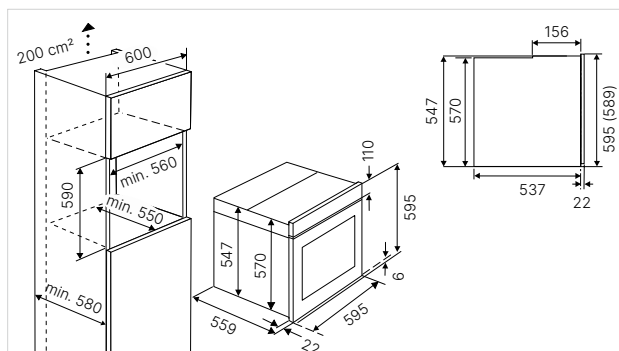
Standard accessories:

- 1 enamel baking tray; 1 enamel universal/deep tray; 1 roasting grid, 1 telescopic glide-out shelf (standard glide-out ZB 1003), 1 Baking stone with lifter; 1 AirFry tray

Design kits:

- Design Stainless Steel Acc. no. DK 1000
- Design Black Chrome Acc. no. DK 2000
- Design Silver Chrome Acc. no. DK 3000
- Design Gold Acc. no. DK 4000
- Design Black Velvet Acc. no. DK 5000
- Design Copper Acc. no. DK 7000

BP 6332.0 S -AirFry Black + Design kit Acc. no. ...



OVENS. PYROLYTIC. K-SERIES.3



Black, Design Stainless Steel



BP 6332.0

- Professional 340°C pizza function
- Pyrolytic self-cleaning (3 levels)
- 6 oven functions, 2 special functions
- Oven control with high-quality aluminum control knobs
- Electronic clock (cooking time, end of cooking time, minute minder) with white display
- Removable full glass inner door, quadruple glazed
- Rapid heating
- Oven lighting
- 70 litres XXL capacity

Technical data:

- Electrical connection 3.6 kW ready to plug in (Schuko-plug)
- Niche dimensions W x H x D approx. 560 × 590 × 550 mm

Standard accessories:

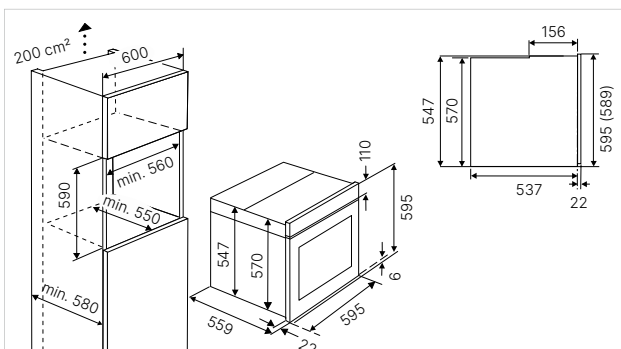
- 1 enamel baking tray; 1 enamel universal/deep tray; 1 roasting grid, 1 telescopic glide-out shelf (standard glide-out ZB 1003); 1 Baking stone with lifter

Design kits:

- Design Stainless Steel Acc. no. DK 1000
- Design Black Chrome Acc. no. DK 2000
- Design Silver Chrome Acc. no. DK 3000
- Design Gold Acc. no. DK 4000
- Design Black Velvet Acc. no. DK 5000
- Design Copper Acc. no. DK 7000

BP 6332.0 S

Black + Design kit Acc. no. ...



OVENS. STEAMER. K-SERIES.3



MattBlack, including steel handle



BD 6340.0 MattBlack NEW

- 8 oven functions
- 4 steam functions
- **External steam generator**
- Oven control with high-quality aluminum control knobs
- Electronic clock (cooking time, end of cooking time, minute minder) with white display
- **Removable full glass inner door with a stainless steel frame, quadruple glazed**
- Rapid heating
- Oven lighting
- 70 litres XXL capacity

Technical data:

- Electrical connection 3.6 kW ready to plug in (Schuko-plug)

Standard accessories:

- 1 enamel baking tray; 1 roasting grid, 1 perforated cooking tray, 1 non-perforated cooking tray, 1 telescopic glide-out shelf (standard glide-out ZB 1003)

Steam cooking with 100% steam:

With steam temperatures between 30°C and 100°C this function is ideal for fish, vegetables, fruit, rice, potatoes or dumplings. Fish cooked at a temperature of approx. 70°C is a gourmet experience you should not miss out! But also crème caramel and other delicate dishes are easy perfectly to prepare thanks to the exact and stable steam temperature.

Cook at home like the professionals: The steam cooking function is also ideal for preparing dishes using the particularly gentle sous vide method.

Combined steam cooking:

By mixing 50% steam with 50% hot air, you get the perfect cooking performance for preparing custard royale, flans, puddings, juicy casseroles and for regenerating foods.

Regenerating:

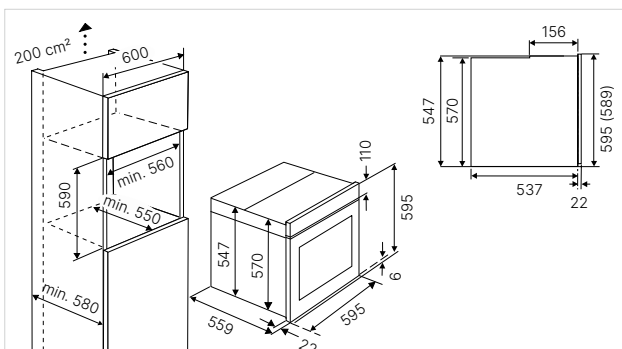
Dishes which have been prepared in advance can be heated up with a special combination of steam and hot air. There is no loss of quality or moisture and the food can be served as if freshly cooked at the exact time required.

Fresh water tank:

Küppersbusch steam ovens can easily be integrated into any kitchen, as due to the fresh water tank no additional water supply is necessary. In addition, refilling during cooking is no problem.

Available from 11/23

BD 6340.0 S KSM6 MattBlack, including handle



OVENS. STEAMER.

K-SERIES.3



Black, Design Stainless Steel with ökotherm® AirFry



BD 6340.0 **NEW**

- 8 oven functions
- 4 steam functions
- **External steam generator**
- Oven control with high-quality aluminum control knobs
- Electronic clock (cooking time, end of cooking time, minute minder) with white display
- **Removable full glass inner door with a stainless steel frame, quadruple glazed**
- Rapid heating
- Oven lighting
- 70 litres XXL capacity

Technical data:

- Electrical connection 3.6 kW ready to plug in (Schuko-plug)

Standard accessories:

- 1 enamel baking tray; 1 roasting grid, 1 perforated cooking tray, 1 non-perforated cooking tray, 1 telescopic glide-out shelf (standard glide-out ZB 1003), 1 AirFry tray

Design kits:

- Design Stainless Steel Acc. no. DK 1000
- Design Black Chrome Acc. no. DK 2000
- Design Silver Chrome Acc. no. DK 3000
- Design Gold Acc. no. DK 4000
- Design Black Velvet Acc. no. DK 5000
- Design Copper Acc. no. DK 7000

K-SERIES.3



Black, Design Stainless Steel



BD 6340.0

- 8 oven functions
- 4 steam functions
- **External steam generator**
- Oven control with high-quality aluminum control knobs
- Electronic clock (cooking time, end of cooking time, minute minder) with white display
- **Removable full glass inner door with a stainless steel frame, quadruple glazed**
- Rapid heating
- Oven lighting
- 70 litres XXL capacity

Technical data:

- Electrical connection 3.6 kW ready to plug in (Schuko-plug)

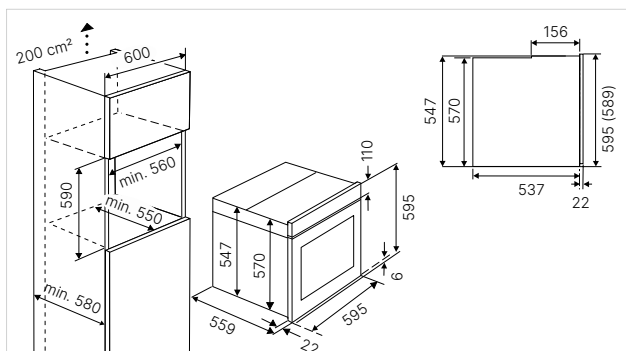
Standard accessories:

- 1 enamel baking tray; 1 roasting grid, 1 perforated cooking tray, 1 non-perforated cooking tray, 1 telescopic glide-out shelf (standard glide-out ZB 1003)

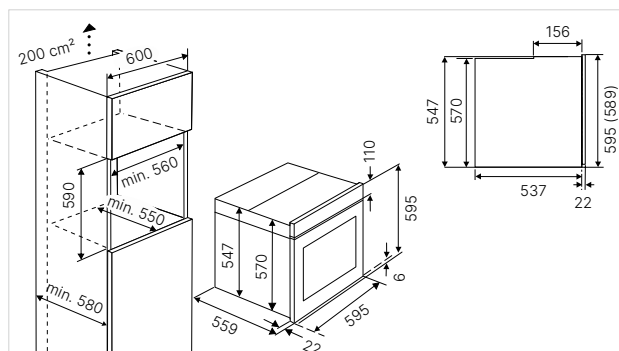
Design kits:

- Design Stainless Steel Acc. no. DK 1000
- Design Black Chrome Acc. no. DK 2000
- Design Silver Chrome Acc. no. DK 3000
- Design Gold Acc. no. DK 4000
- Design Black Velvet Acc. no. DK 5000
- Design Copper Acc. no. DK 7000

BD 6340.0 S-AirFry Black + Design kit Acc. no. ...



BD 6340.0 S Black + Design kit Acc. no. ...



OVENS.

K-SERIES.5



Black, Design Stainless Steel



B 6850.0 NEW

- 14 oven functions, 11 special functions
- More than 80 automatic programmes
- 56 favorite programmes for saving own processes
- 5,0" TFT-Touch-Display with clear text and graphic display
- Electronic oven control by TFT-Touch-Display
- Actual temperature indication and temperature-recommendation
- Multilevel-Timer
- Electronic clock (cooking time, end of cooking time, minute minder) with white display
- Retro clock function
- **Removable full glass inner door with a stainless steel frame**, quadruple glazed
- Rapid heating
- Eco mode, Demo mode, Stand-by mode
- 70 litres XXL capacity

Technical data:

- Electrical connection 3,6 kW ready to plug in (Schuko-plug)

Standard accessories:

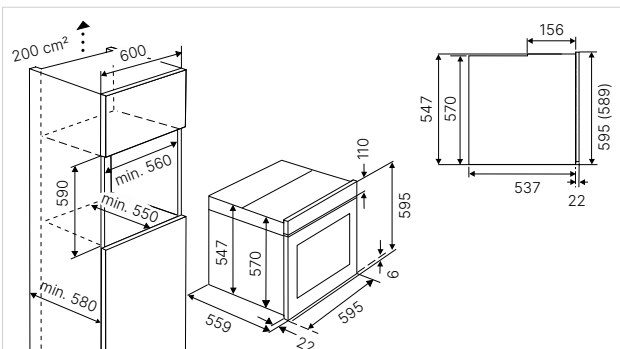
- 1 enamel baking tray; 1 enamel universal/deep tray; 1 roasting grid, 1 telescopic glide-out shelf (full glide-out ZB 1002); 1 telescopic glide-out shelf (standard glide-out ZB 1003)

Design kits:

- Design Stainless Steel Acc. no. DK 1000
- Design Black Chrome Acc. no. DK 2000
- Design Silver Chrome Acc. no. DK 3000
- Design Gold Acc. no. DK 4000
- Design Black Velvet Acc. no. DK 5000
- Design Copper Acc. no. DK 7000

B 6850.0 S

Black + Design kit Acc. no. ...



K-SERIES.3



Black, Design Stainless Steel



B 6550.0

- 14 oven functions, 8 special functions
- More than 40 automatic programmes
- 20 favorite programmes for saving own processes
- 3,9" TFT Display with clear text and graphic display
- Electronic oven control with touch control sensors
- Actual temperature indication and temperature-recommendation
- Electronic clock (cooking time, end of cooking time, minute minder) with white display
- Retro clock function
- **Removable full glass inner door with a stainless steel frame**, quadruple glazed
- Rapid heating
- Eco mode, Demo mode, Stand-by mode
- Halogen lighting
- 70 litres XXL capacity

Technical data:

- Electrical connection 3.6 kW ready to plug in (Schuko-plug)

Standard accessories:

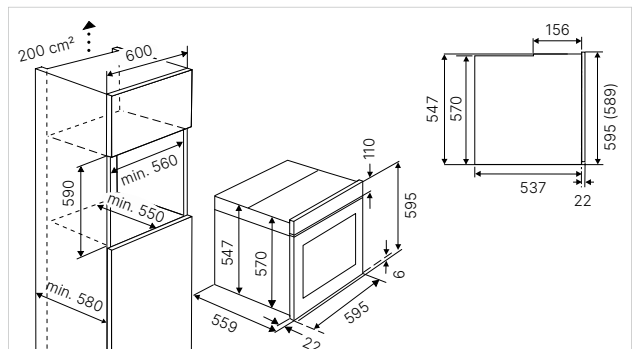
- 1 enamel baking tray; 1 enamel universal/deep tray; 1 roasting grid, 1 telescopic glide-out shelf (standard glide-out ZB 1003)

Design kits:

- Design Stainless Steel Acc. no. DK 1000
- Design Black Chrome Acc. no. DK 2000
- Design Silver Chrome Acc. no. DK 3000
- Design Gold Acc. no. DK 4000
- Design Black Velvet Acc. no. DK 5000
- Design Copper Acc. no. DK 7000

B 6550.0 S

Black + Design kit Acc. no. ...



OVENS.

K-SERIES.3



Black, Design Stainless Steel with ökotherm® AirFry



B 6350.0 NEW

- 10 oven functions
- 10 automatic programmes
- 1 favorite programme for saving own processes
- 3,9" TFT Display with graphic display
- Electr. oven control with high-quality aluminum control knobs
- Actual temperature indication and temperature-recommendation
- Electronic clock (cooking time, end of cooking time, minute minder) with white display
- Retro clock function
- **Removable full glass inner door with a stainless steel frame, quadruple glazed**
- Rapid heating
- Demo mode
- Halogen lighting
- 70 litres XXL capacity

Technical data:

- Electrical connection 3.6 kW ready to plug in (Schuko-plug)

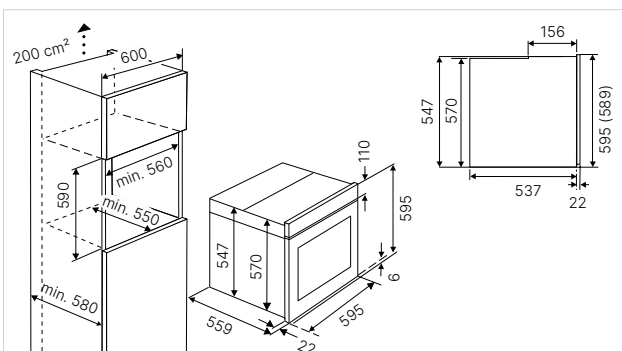
Standard accessories:

- 1 enamel baking tray; 1 enamel universal/deep tray; 1 roasting grid, 1 AirFry tray

Design kits:

- Design Stainless Steel Acc. no. DK 1000
- Design Black Chrome Acc. no. DK 2000
- Design Silver Chrome Acc. no. DK 3000
- Design Gold Acc. no. DK 4000
- Design Black Velvet Acc. no. DK 5000
- Design Copper Acc. no. DK 7000

B 6350.0 S-AirFry Black + Design kit Acc. no. ...



K-SERIES.3



reddot design award
winner 2018

Black, Design Stainless Steel



B 6350.0

- 10 oven functions
- 10 automatic programmes
- 1 favorite programme for saving own processes
- 3,9" TFT Display with graphic display
- Electronic oven control with high-quality aluminum control knobs
- Actual temperature indication and temperature-recommendation
- Electronic clock (cooking time, end of cooking time, minute minder) with white display
- Retro clock function
- **Removable full glass inner door with a stainless steel frame, quadruple glazed**
- Rapid heating
- Demo mode
- Halogen lighting
- 70 litres XXL capacity

Technical data:

- Electrical connection 3.6 kW ready to plug in (Schuko-plug)

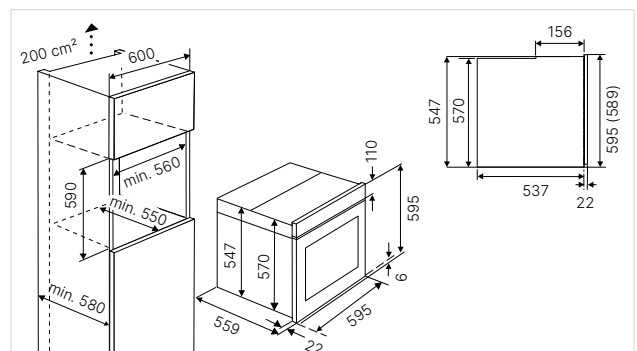
Standard accessories:

- 1 enamel baking tray; 1 enamel universal/deep tray; 1 roasting grid

Design kits:

- Design Stainless Steel Acc. no. DK 1000
- Design Black Chrome Acc. no. DK 2000
- Design Silver Chrome Acc. no. DK 3000
- Design Gold Acc. no. DK 4000
- Design Black Velvet Acc. no. DK 5000
- Design Copper Acc. no. DK 7000

B 6350.0 S Black + Design kit Acc. no. ...



OVENS. K-SERIES.3



Black, Design Stainless Steel with ökotherm® AirFry



B 6330.0 NEW

- 8 oven functions, 1 special function
- Oven control with high-quality aluminum control knobs
- Electronic clock (cooking time, end of cooking time, minute minder) with white display
- Removable full glass inner door, triple glazed
- Rapid heating
- Oven lighting
- 70 litres XXL capacity

Technical data:

- Electrical connection 3.6 kW ready to plug in (Schuko-plug)
- Niche dimensions W x H x D approx. 560 x 590 x 550 mm

Standard accessories:

- 1 enamel baking tray; 1 roasting grid, 1 AirFry tray

Design kits:

- Design Stainless Steel Acc. no. DK 1000
- Design Black Chrome Acc. no. DK 2000
- Design Silver Chrome Acc. no. DK 3000
- Design Gold Acc. no. DK 4000
- Design Black Velvet Acc. no. DK 5000
- Design Copper Acc. no. DK 7000

K-SERIES.3



Black, Design Stainless Steel



B 6330.0

- 8 oven functions, 1 special function
- Oven control with high-quality aluminum control knobs
- Electronic clock (cooking time, end of cooking time, minute minder) with white display
- Removable full glass inner door, triple glazed
- Rapid heating
- Oven lighting
- 70 litres XXL capacity

Technical data:

- Electrical connection 3.6 kW ready to plug in (Schuko-plug)
- Niche dimensions W x H x D approx. 560 x 590 x 550 mm

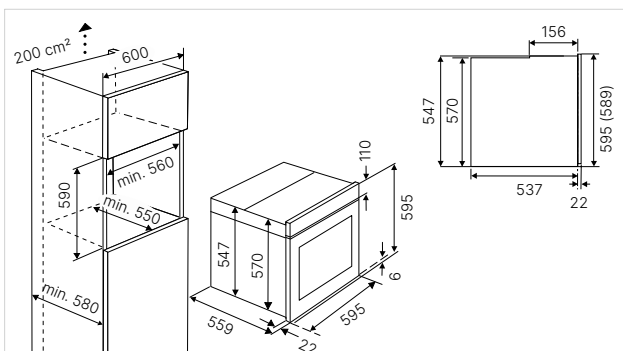
Standard accessories:

- 1 enamel baking tray; 1 roasting grid

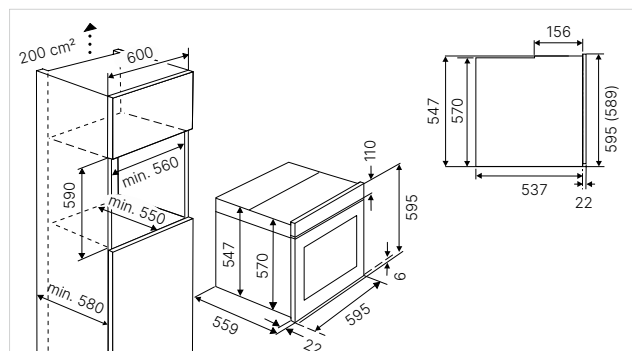
Design kits:

- Design Stainless Steel Acc. no. DK 1000
- Design Black Chrome Acc. no. DK 2000
- Design Silver Chrome Acc. no. DK 3000
- Design Gold Acc. no. DK 4000
- Design Black Velvet Acc. no. DK 5000
- Design Copper Acc. no. DK 7000

B 6330.0 S-AirFry Black + Design kit Acc. no. ...



B 6330.0 S Black + Design kit Acc. no. ...



OVENS.

K-SERIES.1



Design black



B 6120.0

- 8 oven functions, 1 special function
- Oven control with control knobs
- Electronic clock (cooking time, end of cooking time, minute minder) with white display
- Removable full glass inner door, double glazed
- Rapid heating
- Oven lighting
- 70 litres XXL capacity
Including stainless steel handle

Technical data:

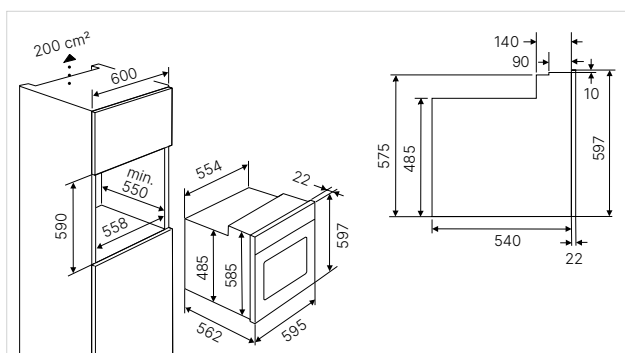
- Electrical connection 3,2 kW

Standard accessories:

- 1 enamel baking tray; 1 roasting grid

The ovens and compact appliances of the K-SERIES.1 cannot be combined with Individual Design Kits and appliances from other K-SERIES.

B 6120.0 S Black



COMPACT. OVENS. PYROLYTIC. K-SERIES.5



Black, Design Stainless Steel



CBP 6550.0

- Pyrolytic self-cleaning (3 levels)
- 14 oven functions, 8 special functions
- More than 40 automatic programmes
- 20 favorite programmes for saving own processes
- 3,9" TFT Display with clear text and graphic display
- Electronic oven control by means of back-lit sensor touch controls
- Actual temperature indication and temperature-recommendation
- Electronic clock (cooking time, end of cooking time, minute minder) with white display
- Retro clock function
- Removable full glass inner door, quadruple glazed
- Rapid heating
- Eco mode, Demo mode, Stand-by mode
- Halogen lighting
- 44 litres capacity

Technical data:

- Electrical connection 2.9 kW ready to plug in (Schuko-plug)

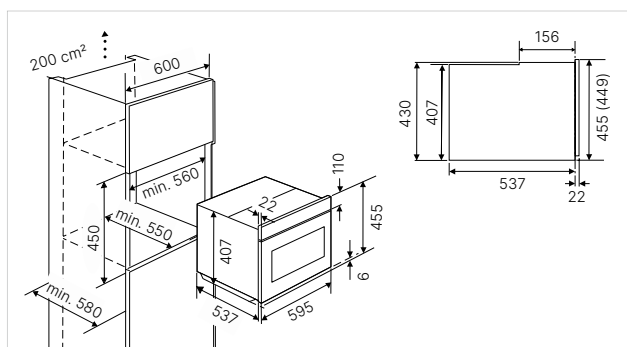
Standard accessories:

- 1 enamel baking tray; 1 enamel universal/deep tray; 1 roasting grid

Design kits:

- Design Stainless Steel Acc. no. DK 1000
- Design Black Chrome Acc. no. DK 2000
- Design Silver Chrome Acc. no. DK 3000
- Design Gold Acc. no. DK 4000
- Design Black Velvet Acc. no. DK 5000
- Design Copper Acc. no. DK 7000

CBP 6550.0 S Black + Design kit Acc. no. ...



K-SERIES.5



White, Design Stainless Steel



CBP 6550.0

- Pyrolytic self-cleaning (3 levels)
- 14 oven functions, 8 special functions
- More than 40 automatic programmes
- 20 favorite programmes for saving own processes
- 3,9" TFT Display with clear text and graphic display
- Electronic oven control by means of back-lit sensor touch controls
- Actual temperature indication and temperature-recommendation
- Electronic clock (cooking time, end of cooking time, minute minder) with white display
- Retro clock function
- Removable full glass inner door, quadruple glazed
- Rapid heating
- Eco mode, Demo mode, Stand-by mode
- Halogen lighting
- 44 litres capacity

Technical data:

- Electrical connection 2.9 kW ready to plug in (Schuko-plug)

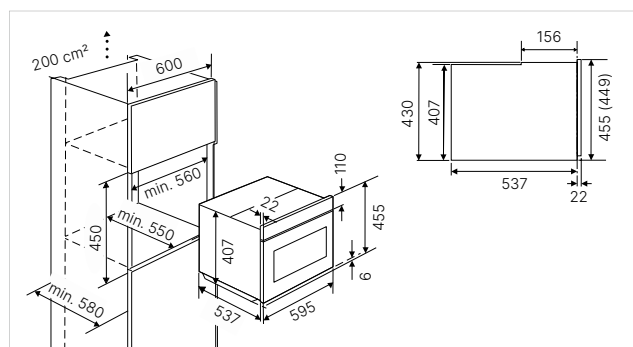
Standard accessories:

- 1 enamel baking tray; 1 enamel universal/deep tray; 1 roasting grid

Design kits:

- Design Stainless Steel Acc. no. DK 1000
- Design Black Chrome Acc. no. DK 2000
- Design Silver Chrome Acc. no. DK 3000
- Design Gold Acc. no. DK 4000
- Design Black Velvet Acc. no. DK 5000
- Design Copper Acc. no. DK 7000

CBP 6550.0 W White + Design kit Acc. no. ...



COMPACT. OVENS. PYROLYTIC.

K-SERIES.3



Black, Design Stainless Steel with ökotherm AirFry



CBP 6332.0 NEW

- Professional 340°C pizza function
- Pyrolytic self-cleaning (3 levels)
- 6 Oven functions, 2 special functions
- Oven control with high-quality aluminum control knobs
- Electronic clock (cooking time, end of cooking time, minute minder) with white display
- Removable full glass inner door, quadruple glazed
- Rapid heating
- Oven lighting
- 44 litres capacity

Technical data:

- Electrical connection 2,9 kW (redy to plug in) Schuko-plug

Standard accessories:

- 1 enamel baking tray; 1 roasting grid; 1 Baking stone with lifter; 1 AirFry tray

Design kits:

- | | |
|--------------------------|------------------|
| - Design Stainless Steel | Acc. no. DK 1000 |
| - Design Black Chrome | Acc. no. DK 2000 |
| - Design Silver Chrome | Acc. no. DK 3000 |
| - Design Gold | Acc. no. DK 4000 |
| - Design Black Velvet | Acc. no. DK 5000 |
| - Design Copper | Acc. no. DK 7000 |

K-SERIES.3



Black, Design Stainless Steel



CBP 6332.0 NEW

- Professional 340°C pizza function
- Pyrolytic self-cleaning (3 levels)
- 6 Oven functions, 2 special functions
- Oven control with high-quality aluminum control knobs
- Electronic clock (cooking time, end of cooking time, minute minder) with white display
- Removable full glass inner door, quadruple glazed
- Rapid heating
- Oven lighting
- 44 litres capacity

Technical data:

- Electrical connection 2,9 kW (redy to plug in) Schuko-plug

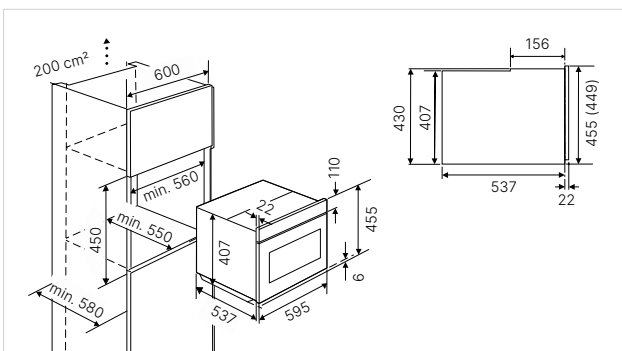
Standard accessories:

- 1 enamel baking tray; 1 roasting grid; 1 Baking stone with lifter

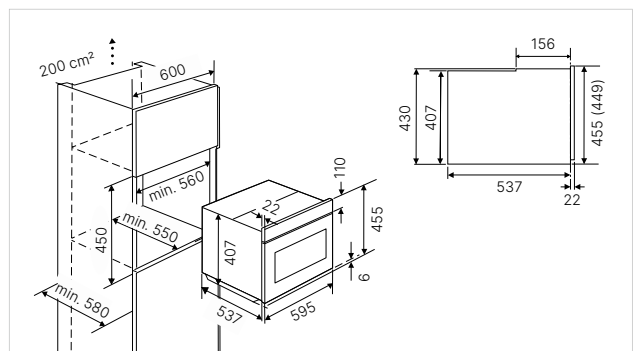
Design kits

- | | |
|--------------------------|------------------|
| - Design Stainless Steel | Acc. no. DK 1000 |
| - Design Black Chrome | Acc. no. DK 2000 |
| - Design Silver Chrome | Acc. no. DK 3000 |
| - Design Gold | Acc. no. DK 4000 |
| - Design Black Velvet | Acc. no. DK 5000 |
| - Design Copper | Acc. no. DK 7000 |

CBP 6332.0 S-AirFry Black + Design kit Acc. no...



CBP 6332.0 S Black + Design kit Acc. no...



COMPACT. OVENS. STEAMER. K-SERIES.5



Black, Design Stainless Steel



CBD 6550.0

- 14 oven functions, 8 special functions
- 6 steam functions, 9 special steam functions
- **External steam generator**
- More than 40 automatic programmes
- 20 favorite programmes for saving own processes
- Temperature setting accurate to the degree
- 3,9" TFT Display with clear text and graphic display
- Electronic oven control with touch control sensors
- Actual temperature indication and temperature-recommendation
- Electronic clock (cooking time, end of cooking time, minute minder), with white display
- Retro clock function
- Removable full glass inner door, quadruple glazed
- Rapid heating
- Eco mode, Demo mode, Stand-by mode
- Halogen lighting
- 43 litres capacity

Technical data:

- Electrical connection 3.4 kW ready to plug in (Schuko-plug)

Standard accessories:

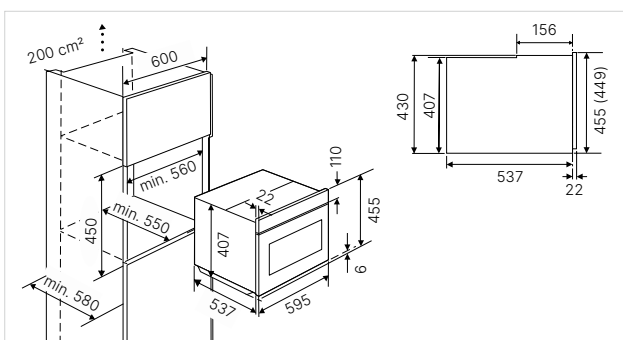
- 1 enamel baking tray; 1 enamel universal/deep tray; 1 roasting grid, 2x Cooking trivet GN 1/3 perforated

Design kits:

- Design Stainless Steel Acc. no. DK 1000
- Design Black Chrome Acc. no. DK 2000
- Design Silver Chrome Acc. no. DK 3000
- Design Gold Acc. no. DK 4000
- Design Black Velvet Acc. no. DK 5000
- Design Copper Acc. no. DK 7000

CBD 6550.0 S

Black + Design kit Acc. no. ...



K-SERIES.5



White, Design Stainless Steel



CBD 6550.0

- 14 oven functions, 8 special functions
- 6 steam functions, 9 special steam functions
- **External steam generator**
- More than 40 automatic programmes
- 20 favorite programmes for saving own processes
- Temperature setting accurate to the degree
- 3,9" TFT Display with clear text and graphic display
- Electronic oven control with touch control sensors
- Actual temperature indication and temperature-recommendation
- Electronic clock (cooking time, end of cooking time, minute minder), with white display
- Retro clock function
- Removable full glass inner door, quadruple glazed
- Rapid heating
- Eco mode, Demo mode, Stand-by mode
- Halogen lighting
- 43 litres capacity

Technical data:

- Electrical connection 3.4 kW ready to plug in (Schuko-plug)

Standard accessories:

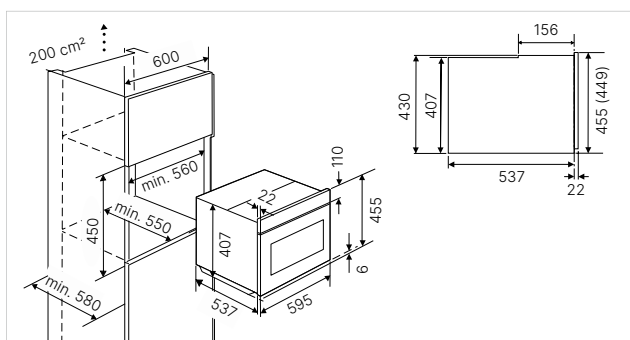
- 1 enamel baking tray; 1 enamel universal/deep tray; 1 roasting grid, 2x Cooking trivet GN 1/3 perforated

Design kits:

- Design Stainless Steel Acc. no. DK 1000
- Design Black Chrome Acc. no. DK 2000
- Design Silver Chrome Acc. no. DK 3000
- Design Gold Acc. no. DK 4000
- Design Black Velvet Acc. no. DK 5000
- Design Copper Acc. no. DK 7000

CBD 6550.0 W

White + Design kit Acc. no. ...





COMPACT. OVENS.

K-SERIES.3



Black, Design Stainless Steel with ökotherm® AirFry



CB 6350.0 NEW

- 10 oven functions
- 10 automatic programmes
- 1 favorite programme for saving own processes
- 3,9" TFT Display with graphic display
- Electr. oven control with high-quality aluminum control knobs
- Actual temperature indication and temperature-recommendation
- Electronic clock (cooking time, end of cooking time, minute minder) with white display
- Retro clock function
- Full glass inner door, quadruple glazed
- Rapid heating
- Demo mode
- Halogen lighting
- 44 litres capacity

Technical data:

- Electrical connection 3.0 kW ready to plug in (Schuko-plug)

Standard accessories:

- 1 enamel baking tray; 1 enamel universal/deep tray; 1 roasting grid; 1 AirFry tray

Design kits:

- Design Stainless Steel Acc. no. DK 1000
- Design Black Chrome Acc. no. DK 2000
- Design Silver Chrome Acc. no. DK 3000
- Design Gold Acc. no. DK 4000
- Design Black Velvet Acc. no. DK 5000
- Design Copper Acc. no. DK 7000

K-SERIES.3



Black, Design Stainless Steel



CB 6350.0

- 10 oven functions
- 10 automatic programmes
- 1 favorite programme for saving own processes
- 3,9" TFT Display with graphic display
- Electronic oven control with high-quality aluminum control knobs
- Actual temperature indication and temperature-recommendation
- Electronic clock (cooking time, end of cooking time, minute minder) with white display
- Retro clock function
- Full glass inner door, quadruple glazed
- Rapid heating
- Demo mode
- Halogen lighting
- 44 litres capacity

Technical data:

- Electrical connection 3.0 kW ready to plug in (Schuko-plug)

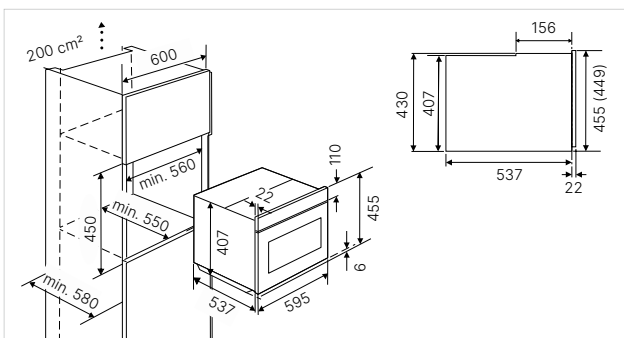
Standard accessories:

- 1 enamel baking tray; 1 enamel universal/deep tray; 1 roasting grid

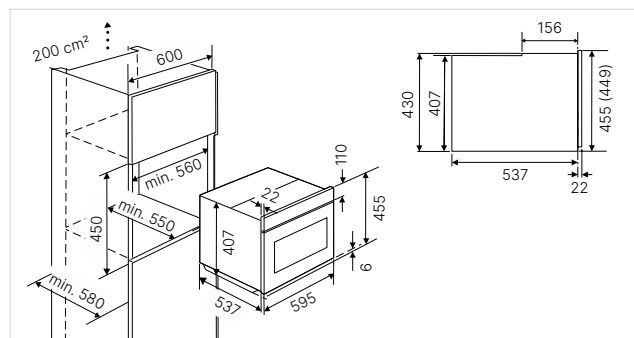
Design kits:

- Design Stainless Steel Acc. no. DK 1000
- Design Black Chrome Acc. no. DK 2000
- Design Silver Chrome Acc. no. DK 3000
- Design Gold Acc. no. DK 4000
- Design Black Velvet Acc. no. DK 5000
- Design Copper Acc. no. DK 7000

CB 6350.0 S-AirFry Black + Design kit Acc. no. ...



CB 6350.0 S Black + Design kit Acc. no. ...

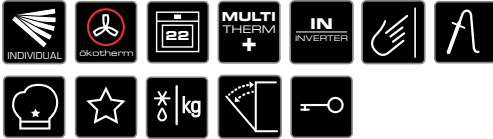


COMPACT. OVENS. MICROWAVES.

K-SERIES.5



Black, Design Stainless Steel

**CBM 6550.0**

- 14 oven functions, 8 special functions
- 2 microwave functions (microwave only, combined with any oven function)
- 10 microwave output levels
- Microwave output 1,000 W
- Quick-start function
- More than 40 automatic programmes
- 20 favorite programmes for saving own processes
- 3,9" TFT Display with clear text and graphic display
- Electr. oven control by means of back-lit sensor touch controls
- Actual temperature indication and temperature-recommendation
- Electronic clock (cooking time, end of cooking time, minute minder) with white display
- Retro clock function
- Door, triple glazed
- Rapid heating
- Eco mode, Demo mode, Stand-by mode
- Halogen lighting
- 43 litres capacity

Technical data:

- Electrical connection 3.4 kW ready to plug in (Schuko-plug)

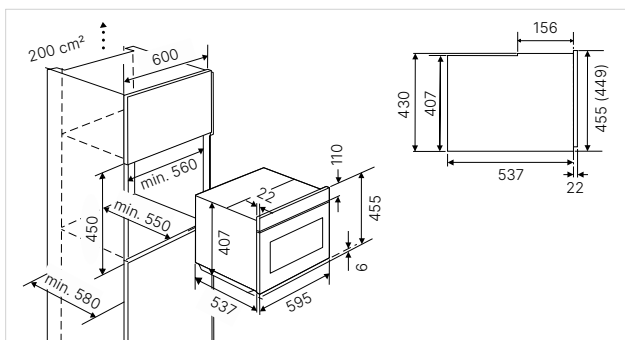
Standard accessories:

- 1 universal/deep tray, glass; 1 roasting grid

Design kits:

- Design Stainless Steel Acc. no. DK 1000
- Design Black Chrome Acc. no. DK 2000
- Design Silver Chrome Acc. no. DK 3000
- Design Gold Acc. no. DK 4000
- Design Black Velvet Acc. no. DK 5000
- Design Copper Acc. no. DK 7000

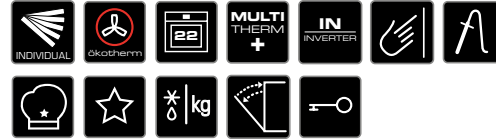
CBM 6550.0 S Black + Design kit Acc. no. ...



K-SERIES.5



White, Design Stainless Steel

**CBM 6550.0**

- 14 oven functions, 8 special functions
- 2 microwave functions (microwave only, combined with any oven function)
- 10 microwave output levels
- Microwave output 1,000 W
- Quick-start function
- More than 40 automatic programmes
- 20 favorite programmes for saving own processes
- 3,9" TFT Display with clear text and graphic display
- Electr. oven control by means of back-lit sensor touch controls
- Actual temperature indication and temperature-recommendation
- Electronic clock (cooking time, end of cooking time, minute minder) with white display
- Retro clock function
- Door, triple glazed
- Rapid heating
- Eco mode, Demo mode, Stand-by mode
- Halogen lighting
- 43 litres capacity

Technical data:

- Electrical connection 3.4 kW ready to plug in (Schuko-plug)

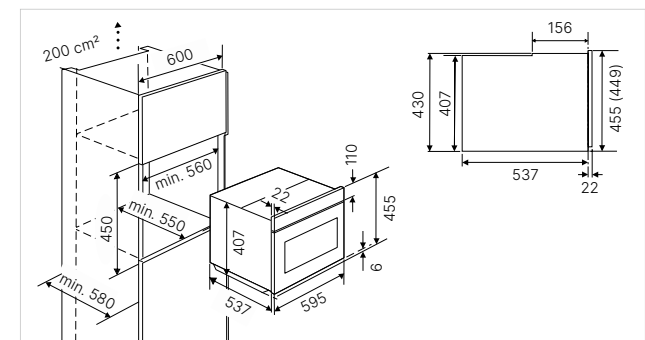
Standard accessories:

- 1 universal/deep tray, glass; 1 roasting grid

Design kits:

- Design Stainless Steel Acc. no. DK 1000
- Design Black Chrome Acc. no. DK 2000
- Design Silver Chrome Acc. no. DK 3000
- Design Gold Acc. no. DK 4000
- Design Black Velvet Acc. no. DK 5000
- Design Copper Acc. no. DK 7000

CBM 6550.0 W White + Design kit Acc. no. ...

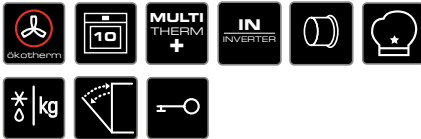


COMPACT. OVENS. MICROWAVES.

K-SERIES.3



Graphite, including steel handle black



CBM 6350.0 Graphite

- 10 oven functions
- 2 microwave functions (microwave only, combined with any oven function)
- 10 microwave output levels
- Microwave output 1,000 W
- Quick-start function
- 10 automatic programmes
- 3,9" TFT Display with graphic display
- Electronic oven control with high-quality aluminum control knobs
- Actual temperature indication and temperature-recommendation
- Electronic clock (cooking time, end of cooking time, minute minder) with white display
- Retro clock function
- Door, triple glazed
- Rapid heating
- Demo mode
- Door, double glazed
- Halogen lighting
- 43 litres capacity

Technical data:

- Electrical connection 3.4 kW ready to plug in (Schuko-plug)

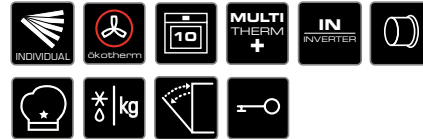
Standard accessories:

- 1 universal/deep tray, glass; 1 roasting grid

K-SERIES.3



Black, Design Stainless Steel



CBM 6350.0

- 10 oven functions
- 2 microwave functions (microwave only, combined with any oven function)
- 10 microwave output levels
- Microwave output 1,000 W
- Quick-start function
- 10 automatic programmes
- 3,9" TFT Display with graphic display
- Electr. oven control with high-quality aluminum control knobs
- Actual temperature indication and temperature-recommendation
- Electronic clock (cooking time, end of cooking time, minute minder) with white display
- Retro clock function
- Door, triple glazed
- Rapid heating
- Demo mode
- Door, double glazed
- Halogen lighting
- 43 litres capacity

Technical data:

- Electrical connection 3.4 kW ready to plug in (Schuko-plug)

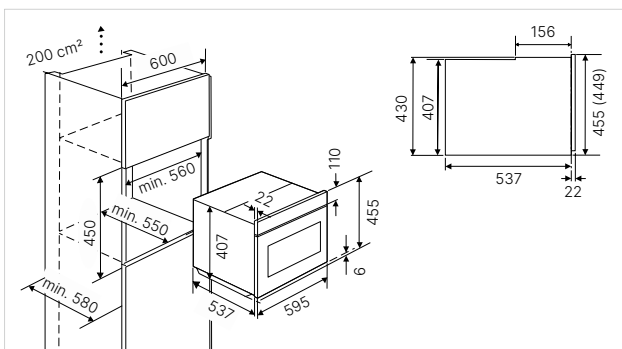
Standard accessories:

- 1 universal/deep tray, glass; 1 roasting grid

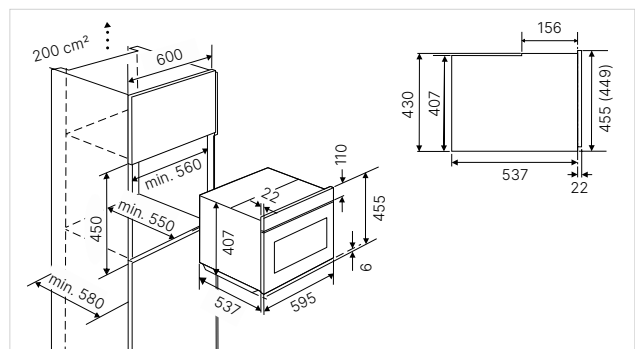
Design kits:

- Design Stainless Steel Acc. no. DK 1000
- Design Black Chrome Acc. no. DK 2000
- Design Silver Chrome Acc. no. DK 3000
- Design Gold Acc. no. DK 4000
- Design Black Velvet Acc. no. DK 5000
- Design Copper Acc. no. DK 7000

CBM 6350.0 GPH6 Graphite, including steel handle black



CBM 6350.0 S Black + Design kit Acc. no. ...



COMPACT. OVENS. MICROWAVES.

K-SERIES.3

**MattBlack, including steel handle****CBM 6330.0 MattBlack NEW**

- 8 oven functions
- 3 microwave functions (microwave only, microwave + grill, microwave + hot air)
- 5 microwave output levels
- Microwave output 1,000 W
- Quick-start function
- Oven control with high-quality aluminum control knobs
- Electronic clock (cooking time, end of cooking time, minute minder) with white display
- Door, triple glazed
- Halogen lighting
- 43 litres capacity

Technical data:

- Electrical connection 3.4 kW ready to plug in (Schuko-plug)

Standard accessories:

- 1 enamel baking tray; 1 universal/deep tray, glass; 1 roasting grid

K-SERIES.3

**Black, Design Stainless Steel****CBM 6330.0**

- 8 oven functions
- 3 microwave functions (microwave only, microwave + grill, microwave + hot air)
- 5 microwave output levels
- Microwave output 1,000 W
- Quick-start function
- Oven control with high-quality aluminum control knobs
- Electronic clock (cooking time, end of cooking time, minute minder) with white display
- Door, triple glazed
- Halogen lighting
- 43 litres capacity

Technical data:

- Electrical connection 3.4 kW ready to plug in (Schuko-plug)

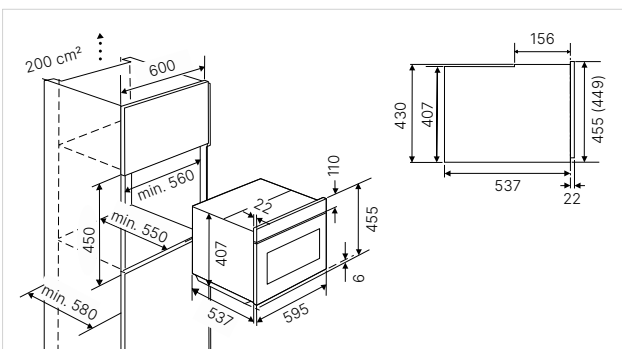
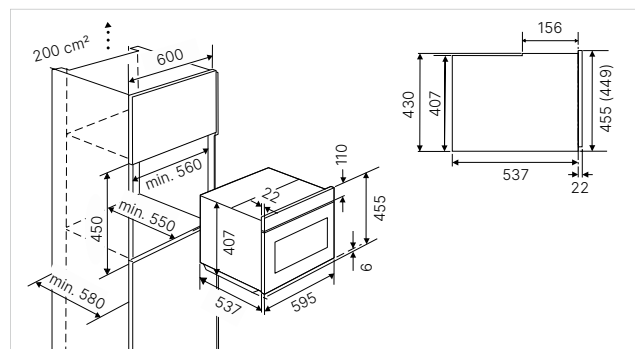
Standard accessories:

- 1 enamel baking tray; 1 universal/deep tray, glass; 1 roasting grid

Design kits:

- Design Stainless Steel Acc. no. DK 1000
- Design Black Chrome Acc. no. DK 2000
- Design Silver Chrome Acc. no. DK 3000
- Design Gold Acc. no. DK 4000
- Design Black Velvet Acc. no. DK 5000
- Design Copper Acc. no. DK 7000

Available from 11/23

CBM 6350.0 S KSM6 MattBlack, including handle**CBM 6330.0 S** Black + Design kit Acc. no. ...

COMPACT. OVENS. MICROWAVES. K-SERIES.1



Design black



CMK 6120.0

- 3 oven functions
- 3 microwave functions (microwave only, microwave + grill, microwave + hot air)
- 6 microwave output levels
- Microwave output 1,000 W
- Grill 1,500 W
- Quick-start function
- Oven control with control knobs
- Electronic clock with white display
- Door, triple glazed
- Stainless steel oven cavity
- Drop-down grill
- Halogen lighting
- Door contact switch
- Turntable, Ø 32 cm
- 38 litres capacity
- Including stainless steel handle

Technical data:

- Electrical connection 3,4 kW

Standard accessories:

- 1 universal/deep tray, glass; 1 roasting grid

COMPACT. MICROWAVES. K-SERIES.3



Black, Design Stainless Steel



CM 6330.0

- 3 microwave functions (microwave only, microwave + grill, and grill only)
- 5 microwave output levels
- Microwave output 1,000 W
- Grill 1,400 W
- Quick-start function
- Oven control with high-quality aluminum control knobs
- Electronic clock with white display
- Halogen lighting
- 44 litres capacity

Technical data:

- Electrical connection 3.2 kW ready to plug in (Schuko-plug)

Standard accessories:

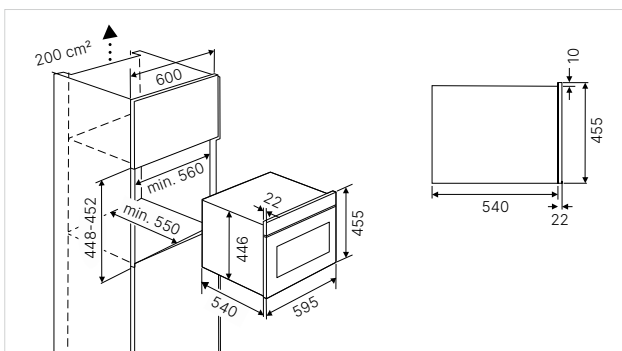
- 1 roasting grid

Design kits:

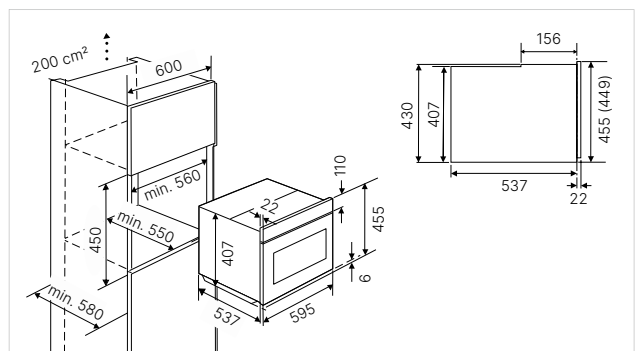
- Design Stainless Steel Acc. no. DK 1000
- Design Black Chrome Acc. no. DK 2000
- Design Silver Chrome Acc. no. DK 3000
- Design Gold Acc. no. DK 4000
- Design Black Velvet Acc. no. DK 5000
- Design Copper Acc. no. DK 7000

The ovens and compact appliances of the K-SERIES.1 cannot be combined with Individual Design Kits and appliances from other K-SERIES.

CMK 6120.0 S Black



CM 6330.0 S Black + Design kit Acc. no. ...



MICROWAVES (38 CM NICHE).

K-SERIES.3



MattBlack



ML 6330.0 MattBlack (left hinging door) **NEW**
MR 6330.0 MattBlack (right hinging door) **NEW**

- 3 microwave functions (microwave only, microwave + grill, and grill only)
- 5 microwave output levels
- Microwave output 850 W
- Grill 1200 W
- 14 automatic programmes
- Control with high-quality aluminum control knobs
- Electronic clock with white display
- Stand-by mode
- Stainless steel oven cavity with ceramic plate
- Oven lighting
- 22 litres Stainless steel oven cavity
- Choice of door hinge (see model)

Technical data:

- Electrical connection 2.5 kW ready to plug in (Schuko-plug)
- Oven cavity dimensions W x H x D approx. 350 x 220 x 280 mm

Standard accessories:

- 1 roasting grid

K-SERIES.3



Graphite



ML 6330.0 Graphite (left hinging door) **NEW**
MR 6330.0 Graphite (right hinging door)

- 3 microwave functions (microwave only, microwave + grill, and grill only)
- 5 microwave output levels
- Microwave output 850 W
- Grill 1200 W
- 14 automatic programmes
- Control with high-quality aluminum control knobs
- Electronic clock with white display
- Stand-by mode
- Stainless steel oven cavity with ceramic plate
- Oven lighting
- 22 litres Stainless steel oven cavity
- Choice of door hinge (see model)

Technical data:

- Electrical connection 2.5 kW ready to plug in (Schuko-plug)
- Oven cavity dimensions W x H x D approx. 350 x 220 x 280 mm

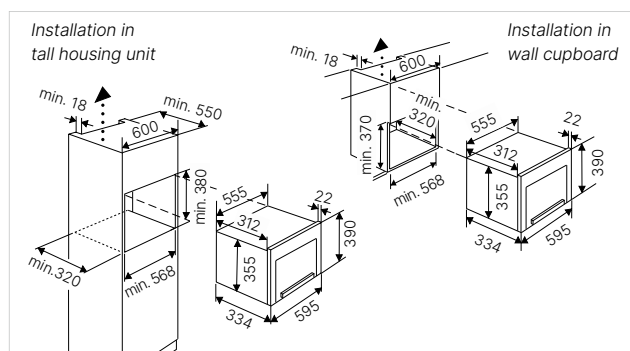
Standard accessories:

- 1 roasting grid

Available from 11/23

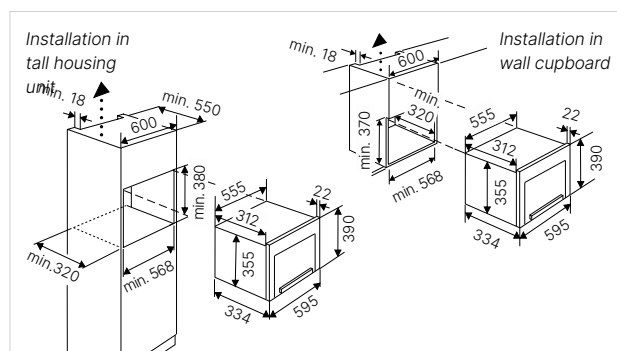
ML / MR 6330.0 S KSMO

MattBlack



ML / MR 6330.0 GPH

Graphite



MICROWAVES (38 CM NICHE).

K-SERIES.3



Black, Design Stainless Steel



ML 6330.0/MR 6330.0 (left/right hingeing door)

- 3 microwave functions (microwave only, microwave + grill, and grill only)
- 5 microwave output levels
- Microwave output 850 W
- Grill 1200 W
- 14 automatic programmes
- Control with high-quality aluminum control knobs
- Electronic clock with white display
- Stand-by mode
- Stainless steel oven cavity with ceramic plate
- Oven lighting
- 22 litres Stainless steel oven cavity
- Choice of door hinge (see model)

Technical data:

- Electrical connection 2.5 kW ready to plug in
- Oven cavity dimensions W x H x D approx. 350 x 220 x 280 mm

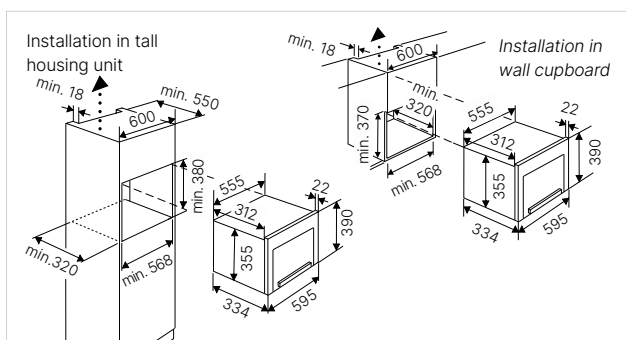
Standard accessories:

- 1 roasting grid

Design kits:

- Design Stainless Steel Acc. no. DK 1003
- Design Black Chrome Acc. no. DK 2003
- Design Silver Chrome Acc. no. DK 3003
- Design Gold Acc. no. DK 4003
- Design Black Velvet Acc. no. DK 5003
- Design Copper Acc. no. DK 7003

ML / MR 6330.0 S Black + Design kit Acc. no. ...



K-SERIES.3



White



ML 6330.0 (left hingeing door) **NEW** MR 6330.0 (right hingeing door) **NEW**

- 3 microwave functions (microwave only, microwave + grill, and grill only)
- 5 microwave output levels
- Microwave output 850 W
- Grill 1200 W
- 14 Automatic programmes
- Control with high-quality aluminum control knobs
- Electronic clock with white display
- Stand-by mode
- Stainless steel oven cavity with ceramic plate
- Oven lighting
- 22 Litres Stainless steel oven cavity
- Choice of door hinge (see model)

Technical data:

- Electrical connection 2,5 kW (ready to plug in)
- Oven cavity dimensions W x H x D approx. 350 x 220 x 280 mm

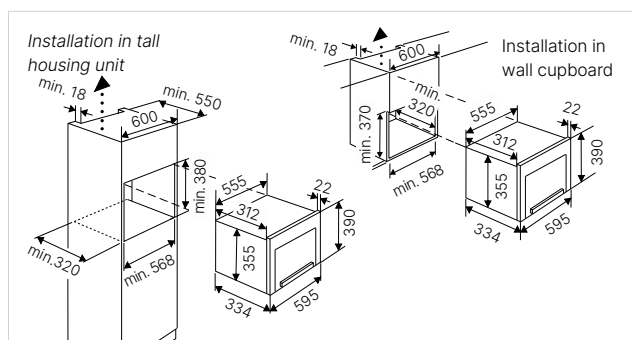
Standard accessories:

- 1 roasting grid

Design kits:

- Design Stainless Steel Acc. no. DK 1003
- Design Black Chrome Acc. no. DK 2003
- Design Silver Chrome Acc. no. DK 3003
- Design Gold Acc. no. DK 4003
- Design Black Velvet Acc. no. DK 5003
- Design Copper Acc. no. DK 7003

ML/MR 6330.0 W White + Design kit Acc. no...



MICROWAVES (38 CM NICHE). K-SERIES.1



Design Black



M 6120.0 (left hinging door) **NEW**

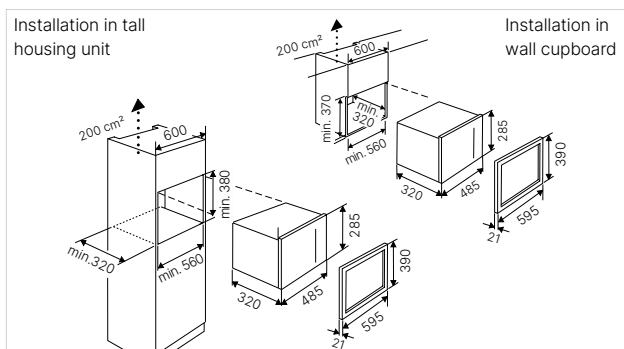
- 3 microwave functions (microwave only, microwave + grill, and grill only)
- 5 microwave output levels
- Microwave output 750 W
- Grill 1000 W
- 3 Automatic programmes
- TFT display
- Stainless steel oven cavity
- Lighting
- Turntable, \varnothing 24 cm
- 20 Litres capacity

Technical data:

- Electrical connection 1,2 kW (ready to plug in)
- Oven cavity dimensions W x H x D approx.
305 x 210 x 280 mm

The ovens and compact appliances of the K-SERIES.1 cannot be combined with Individual Design Kits and appliances from other K-SERIES.

M 6120.0 S Black



K-SERIES.1



Design White



M 6120.0 (left hinging door) **NEW**

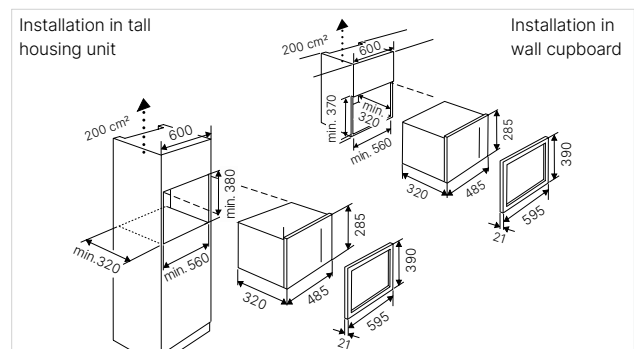
- 3 microwave functions (microwave only, microwave + grill, and grill only)
- 5 microwave output levels
- Microwave output 750 W
- Grill 1000 W
- 3 Automatic programmes
- TFT display
- Stainless steel oven cavity
- Lighting
- Turntable, \varnothing 24 cm
- 20 Litres capacity

Technical data:

- Electrical connection 1,2 kW (ready to plug in)
- Oven cavity dimensions W x H x D approx.
305 x 210 x 280 mm

The ovens and compact appliances of the K-SERIES.1 cannot be combined with Individual Design Kits and appliances from other K-SERIES.

M 6120.0 W White



COMPACT. COFFEE. FULLY-AUTOMATIC. K-SERIES.8



Black, Design Stainless Steel



CKV 6800.0 MattBlack NEW

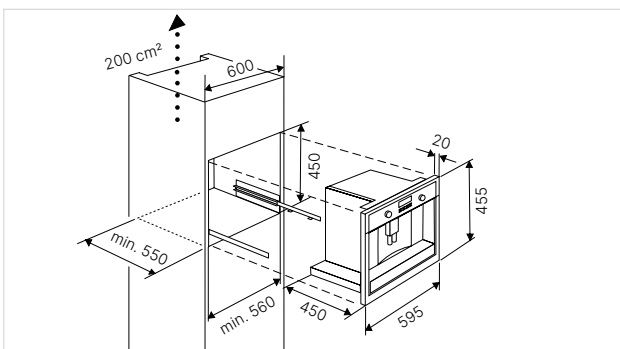
- TFT touch display with graphic and clear text display in 18 languages
- Electronic control via TFT touch display
- Favourite programmes for saving own settings
- 16 programmes
- Quantity programming for 5 different cup sizes
- Output for 1 or 2 cups
- Real milk function for cappuccino, latte macchiato, caffè latte or milk frothing
- Removable milk container with cleaning function
- Use of coffee beans and coffee powder possible
- Height-adjustable coffee spout from espresso cup to latte macchiato glass (approx. 85-140 mm)
- 3 different coffee temperatures adjustable
- Adjustable coffee aroma (5 preset coffee strengths)
- Descaling programme
- Automatic cleaning when switching on and off
- Hot water function
- Water container removable from the front
- Standby mode
- Telescopic rails for easy re-filling

Technical data:

- Electrical connection 1.35 kW ready to plug in (Schuko-plug)

Available from 11/23

CKV 6800.0 KSM MattBlack



COMPACT. COFFEE. FULLY-AUTOMATIC.

K-SERIES.8



Black, Design Stainless Steel



CKV 6800.0 **NEW**

- TFT touch display with graphic and clear text display in 18 languages
- Electronic control via TFT touch display
- Favourite programmes for saving own settings
- 16 programmes
- Quantity programming for 5 different cup sizes
- Output for 1 or 2 cups
- Real milk function for cappuccino, latte macchiato, caffè latte or milk frothing
- Removable milk container with cleaning function
- Use of coffee beans and coffee powder possible
- Height-adjustable coffee spout from espresso cup to latte macchiato glass (approx. 85-140 mm)
- 3 different coffee temperatures adjustable
- Adjustable coffee aroma (5 preset coffee strengths)
- Descaling programme
- Automatic cleaning when switching on and off
- Hot water function
- Water container removable from the front
- Standby mode
- Telescopic rails for easy re-filling

Technical data:

- Electrical connection 1.35 kW ready to plug in (Schuko-plug)

Design kits:

- Design Stainless Steel Acc. no. DK 1001
- Design Black Chrome Acc. no. DK 2001
- Design Silver Chrome Acc. no. DK 3001
- Design Gold Acc. no. DK 4001
- Design Black Velvet Acc. no. DK 5001
- Design Copper Acc. no. DK 7001

Available from 11/23

K-SERIES.8



White, Design Stainless Steel



CKV 6800.0 **NEW**

- TFT touch display with graphic and clear text display in 18 languages
- Electronic control via TFT touch display
- Favourite programmes for saving own settings
- 16 programmes
- Quantity programming for 5 different cup sizes
- Output for 1 or 2 cups
- Real milk function for cappuccino, latte macchiato, caffè latte or milk frothing
- Removable milk container with cleaning function
- Use of coffee beans and coffee powder possible
- Height-adjustable coffee spout from espresso cup to latte macchiato glass (approx. 85-140 mm)
- 3 different coffee temperatures adjustable
- Adjustable coffee aroma (5 preset coffee strengths)
- Descaling programme
- Automatic cleaning when switching on and off
- Hot water function
- Water container removable from the front
- Standby mode
- Telescopic rails for easy re-filling

Technical data:

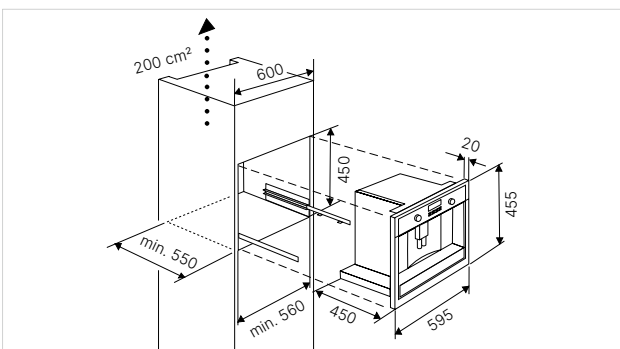
- Electrical connection 1.35 kW ready to plug in (Schuko-plug)

Design kits:

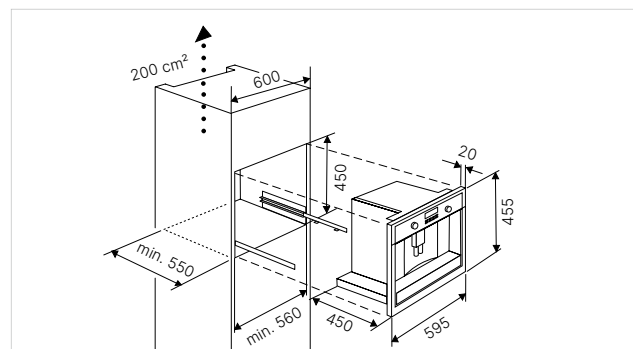
- Design Stainless Steel Acc. no. DK 1001
- Design Black Chrome Acc. no. DK 2001
- Design Silver Chrome Acc. no. DK 3001
- Design Gold Acc. no. DK 4001
- Design Black Velvet Acc. no. DK 5001
- Design Copper Acc. no. DK 7001

Available from 11/23

CKV 6800.0 S Black + Design kit Acc. no. ...



CKV 6800.0 W White + Design kit Acc. no. ...





COMPACT. DRAWERS. VACUUM. K-SERIES.8



With black glass front and stainless steel design kit



With white glass front and stainless steel design kit



CSV 6800.0

- Ideal complement for a 45 cm high appliance for a 59 cm high built-in niche
- Glass front (see optional accessories) or existing furniture mountable
- Electronic control with touch control sensors
- Vacuum power up to 99,9%
- 3 vacuum power levels (min/med/max)
- Special functions for marination and liquids
- 3 m³/h vacuum power of the pump
- Max. bag dimensions 305 mm
- Telescopic rails

Technical data:

- Electrical connection 0.4 kW ready to plug in (Schuko-plug)
- Inner dimensions W x H x D approx. 310 x 330 x 65/85 mm

Standard accessories:

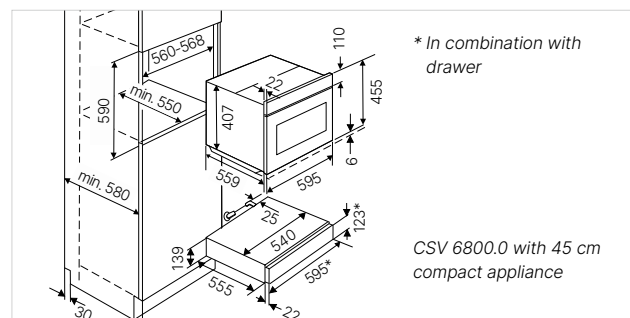
- 25 vacuum bags 200 x 250 mm
- 25 vacuum bags 250 x 300 mm
- 1 reduction inlay
- 1 vacuum jet (for connection to special vacuum container)

Optional accessories:

- Black glass front Acc. no. ZV 8020
- White glass front Acc. no. ZV 8022

Design strips see model CSZ 6800.0

CSV 6800.0 without glass front



COMPACT. DRAWERS. WARM. K-SERIES.8



With black glass front and stainless steel design kit



With white glass front and stainless steel design kit



With MattBlack glass front Available from 11/23



With Graphite glass front



CSW 6800.0

- Ideal complement for a 45 cm high appliance for a 59 cm high built-in niche
- Glass front (see optional accessories) or existing furniture mountable
- Electr. variable power control from 30°C-80°C with touch sensors
- Electronic clock (warming time, end of warming time) with red display
- Switch-off feature up to 4 hours
- Suitable for keeping warm, defrosting, low temperature cooking, doughing and warming dishes
- Capacity (dependent on tableware-size): Dinner service for 6 persons or 20 plates with Ø 28 cm or 80 espresso cups or 40 cappuccino cups
- Telescopic rails

Technical data:

- Electrical connection 0.4 kW
- Inner dimensions W x H x D approx. 410 × 105 × 490 mm

Standard accessories:

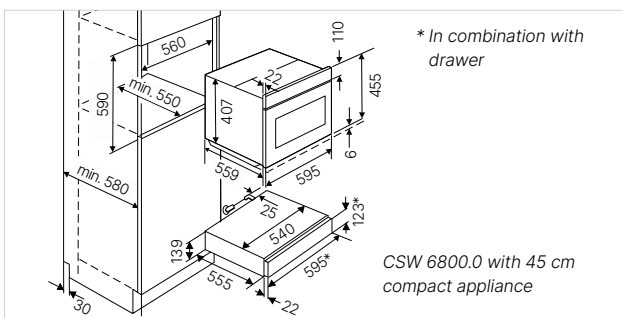
- Non-slip inlay

Optional accessories:

- MattBlack glass front Acc. no. ZC 8024
- Graphite glass front Acc. no. ZC 8023
- Black glass front Acc. no. ZC 8020
- White glass front Acc. no. ZC 8022

Design strips see model CSZ 6800.0

CSW 6800.0 without glass front



COMPACT. DRAWERS. ACC. K-SERIES.8



With black glass front and stainless steel design kit



With white glass front and stainless steel design kit



With MattBlack glass front Available from 11/23



With Graphite glass front



CSZ 6800.0

- Ideal accessory for being combined with a 45 cm compact appliance, offering additional stowage in a 59 cm high niche
- Glass front (see optional accessories) or existing furniture mountable
- Telescopic rails
- Stainless steel oven cavity

Technical data:

- Inner dimensions W x H x D approx. 445 × 105 × 490 mm

Standard accessories:

- Non-slip inlay

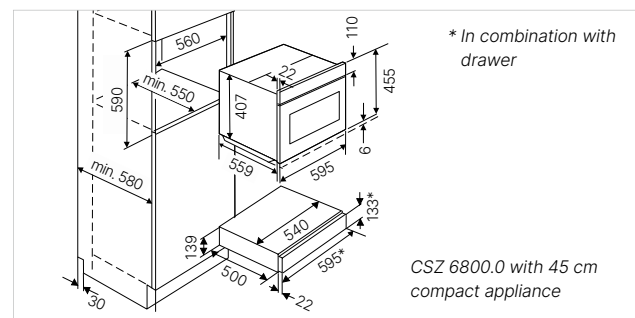
Optional accessories:

- MattBlack glass front Acc. no. ZC 8024
- Graphite glass front Acc. no. ZC 8023
- Black glass front Acc. no. ZC 8020
- White glass front Acc. no. ZC 8022

Design strips for all black and white drawers:

- Design kit Stainless Steel Acc. no. DK 1002
- Design kit Black Chrome Acc. no. DK 2002
- Design kit Silver Chrome Acc. no. DK 3002
- Design kit Gold Acc. no. DK 4002
- Design kit Black Velvet Acc. no. DK 5002
- Design kit Copper Acc. no. DK 7002

CSZ 6800.0 without glass front



| Individual and versatile.

HOBS & DOWNDRAFT

Hobs that inspire: from cutting-edge induction to gas hobs. We offer something for different style and design, tailored to your personal needs.



KUPPERBUSCH

X

Hobs & Downdraft

Küppersbusch



| One device **TWO USES**

Küppersbusch induction hob-level extractor units are both cooking zone and extractor in one! This is an especially effective way of hob ventilation, as grease and steam are extracted directly at the source and are not carried through the room. The perfect solution for open living kitchens and island kitchens.

Another bonus is that you don't need a separate extractor fan above your cooktop, meaning you have more freedom when designing your kitchen. You can even install your cooktop below a window.

When using the hob-level extractor, you will need to insert the ventilation grid (provided). When you have finished using the extractor, you can close it again with its glass insert.

In addition to the 90 and 80 cm long induction hob-level extractors, Küppersbusch also provides the perfect solution for VarioLine:

The VKM 1820.0 worktop extraction, which is only 14 cm wide, is offered as a module for combining with VarioLine hobs.



VKIW 3800.0 + VKM 1820.0 + VKI 3550.0



| Ventilation grids in the individual concept.



Design Stainless steel



Design Gold



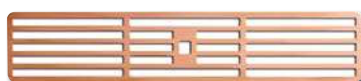
Design Black Chrome



Design Black Velvet



Design Silver Chrome



Design Copper

Ventilation grid in the individual concept. Individualise your induction hob-level extractor. Fitting to the ovens, compact appliances, hoods, etc., designs in Stainless Steel, Black Chrome, Silver Chrome, Gold, and Copper are also possible as special orders (delivery time on request).

The grids are not suitable for dishwashers.





| Almost as hard as a DIAMOND

Miradur

The surfaces of many Küppersbusch hobs and hobs with extraction are finished with the SCHOTT CERAN® Miradur® coating.

Miradur® withstands the mechanical and thermal stresses of everyday cooking - and keeps almost scratches away. 95 % fewer scratches from sand, for example, which gets onto the cooking surface when washing lettuce and would then normally leave permanent marks when moving a pot. 70 % fewer scratches from abrasive sponges.

A perfect hob must not only be functional, it must also be pleasing to the eye for a long time. And this is what the almost diamond-hard surface finish does brilliantly: the fascinating design sets a clear accent and attracts all eyes as the visual centre of the kitchen. Miradur® is characterised by a slightly metallic look and a futuristic touch. A hob that speaks its own design language - and meets the highest aesthetic demands.

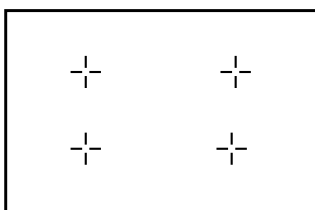


VARIOLINE

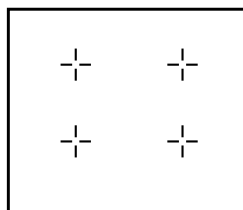
Küppersbusch Varioline: This is like having a building set of different hob types, which also allows you to combine various widths with one another. and put them together to form a harmonious whole. This is how you create your personal culinary creative space.

How wide can and should your hob be?

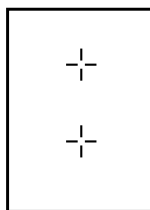
Do you have any constraints regarding space in your kitchen? Or are you free to choose your dream size? With hob widths of 80 cm, 60 cm, 38 cm and 30 cm, Küppersbusch gives you the flexibility you need – also for combining elements, as shown in the Varioline example above.



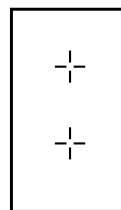
80



60



38



30



DESIGN AND FUNCTION

Hobs don't have to be black! At Küppersbusch, you are spoilt for choice: In addition to classic black hobs you can also get pure white hobs as well hobs with Miradur® surface in Chrome-Look. Another question you will need to ask yourself is: what should the frame look like?



Stainless steel frame

Two elegant stainless steel brackets frame the hob from the front and back. With this type of frame, you can use the VarioLine connector bracket to combine several hob elements.



Flush installation

The frameless hob is traditionally top-mount installed or can be flush-mounted into your worktop, giving you a completely level surface. A great advantage here: the hob is incredibly easy to clean.

| Automatic

COOKING FUNCTIONS

Automatic cooking functions simplify cooking and are included in many Küppersbusch hobs.

With the help of the special levels, preset temperatures are automatically reached and maintained or, if necessary, automatically switched down to the appropriate boiling level. This prevents liquids from boiling over or burning something in the pot.

Melting

Melting chocolate without a water bath - this works with the melting. Simply put the chocolate in a pot, place it on the hob and select the melting. The chocolate melts without burning.

Keeping warm

The food is ready, but the guests are a little late. That's no problem with the keep-warm level. Food that has already been cooked can be kept warm directly on the hob with the keep-warm level.

Pasta cooking

The pasta cooking makes pasta cooking even more convenient. Once selected, the hob switches directly back to the correct cooking level after boiling.

Quick boiling

The quick boiling level helps you when rice cooking, for example. When the pot is placed on the hob, a signal sounds shortly before the water starts to boil. After a short time, another signal indicates that the hob automatically switches back to a lower power level for further cooking.

Rice cooking

Cooking rice has never been so easy! Pour water and rice into a pot, select the rice cooking function and the hob does the rest.

Frying

Which setting is the right to obtain the optimum roasting temperature is decided by the hob. After preheating the cookware, an acoustic signal indicates when the food should be placed on the cookware. The automatic power control keeps the temperature on the cookware constant.

Roasting

Which setting is the right to obtain the optimum roasting temperature is decided by the hob. After preheating the cookware, an acoustic signal indicates when the food should be placed on the cookware. The automatic power control keeps the temperature on the cookware constant.

Grilling

It is very easy to prepare a juicy piece of meat using the grill level. You can place the meat in the pan, after the pan has been heated up on the hob with the grill level selected, The hob automatically controls the temperature required for an optimal roasting result.

Poaching

Poaching on the hob is very easy with this cooking function. This gentle preparation, in which the water is heated but does not boil, is particularly suitable for fine fish fillets or egg custard.

Confit

Would you like to preserve meat, fish or vegetables in a delicious way? Select the confit stage and cook your food slowly at low temperatures.

Quick boiling



Multifunktionsfeld & Ofenfelder

Frying



Melting



Keeping warm



Roasting



Pasta cooking



Grilling



Flexigrill Acc. no. 1303



HOBS. DOWNDRAFT. INDUCTION. K-SERIES.8

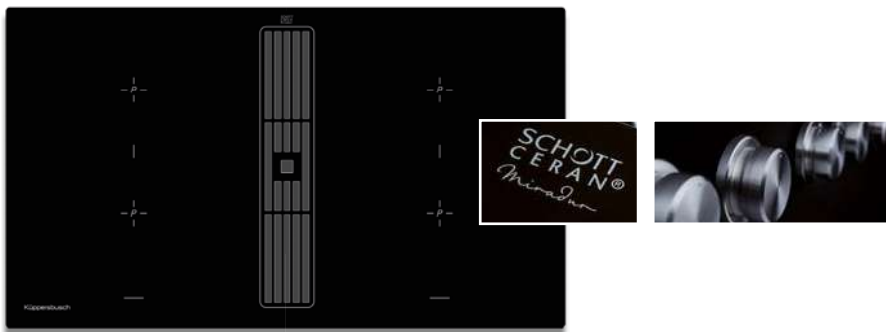


Illustration black with ventilation grid, frameless



KMI 9850.0

Features induction hob:

- 10-level power controls "knobControl" (power booster setting incl.) with **high-quality steel control knobs** (including)
- 3 automatic cooking functions: melting, keeping warm, pasta cooking
- Switch-off memory
- Bridge function, right and left cooking zones can be switched together to one cooking zone
- Automatic booster cooking phase
- Residual heat indicator
- Holiday shut-down device (limiting operation duration time)
- Ventilation grid and glass cover (ZK 8000) incl.
- 4 cooking zones 210 × 190 mm / 2,100 W (3,700 W*)
*with power booster setting

Features extractor:

- Base fan
- Extraction rate (to the outside) : max. normal power setting 530 m³/h, intensive power setting 620 m³/h
- Noise level: min. 45 dB, max. 63 dB, int. 68 dB
- 4 power levels incl. high power settings
- Digital display
- Stainless steel grease filter in stainless steel frame (10 layers) with **96,5 % grease deposit**
- Automatic delay stop
- Recirculating air mode possible (see optional accessories)
- Exhaust air system incl.

Technical data:

- Electrical connection Induction 7,400 W / hood 115 W
- Air connection plinth fan Naber Compair Flow NW 150
- Appliance dimensions W x D approx. 898 × 518 mm
- Niche dimensions W x D approx. 860 × 500 mm (for flush installation please refer to the building-in diagrams)

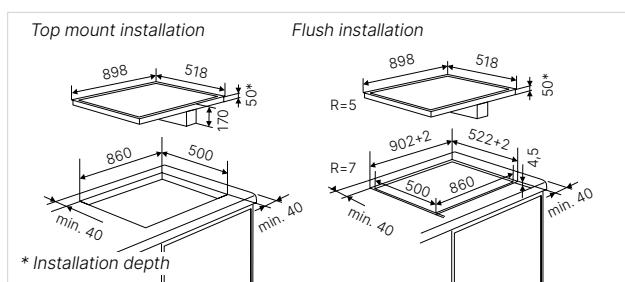
Optional accessories:

- FlexiGrill Acc. no. 1303
- PlasmaMade filter Acc. no. ZD 8001
- Charcoal filter box Acc. no. ZK 8001
- Glass cover Miradur Acc. no. ZK 8005
- Wireless window contact system Acc. no. ZK 8002

Design ventilation grilles:

- Design Stainless steel Acc. no. 99089
- Design Black Chrome Acc. no. 99090
- Design Silver Chrome Acc. no. 99091
- Design Gold Acc. no. 99092
- Design Black Velvet Acc. no. 99093
- Design Copper Acc. no. 99094

KMI 9850.0 SR-Miradur black, frameless



HOBS. DOWNDRAFT. INDUCTION. K-SERIES.8

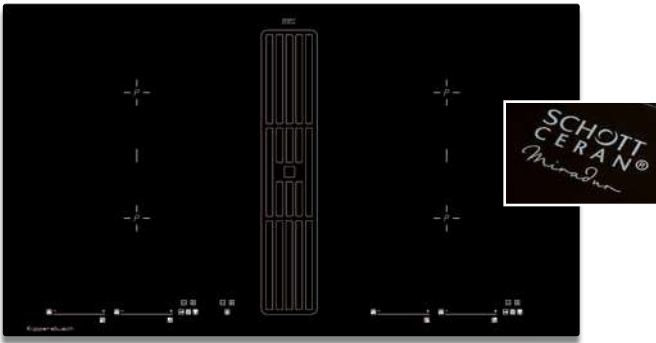


Illustration black with ventilation grid, frameless



KMI 9800.0

Features induction hob:

- 10-level power controls "glideControl+" (power booster setting incl.) with red display
- 3 automatic cooking functions: melting, keeping warm, pasta cooking
- Bridge function, right and left cooking zones can be switched together to one cooking zone
- Automatic booster cooking phase
- Residual heat indicator
- Minute minder with switch-off feature
- Holiday shut-down device (limiting operation duration time)
- Ventilation grid and glass cover (ZK 8000) incl.
- 4 cooking zones 210 × 190 mm / 2,100 W (3,700 W*)
*with power booster setting

Features extractor:

- Base fan
- Extraction rate (to the outside) : max. normal power setting 530 m³/h, intensive power setting 620 m³/h
- Noise level: min. 45 dB, max. 63 dB, int. 68 dB
- 4 power levels incl. high power settings
- Digital display
- Automatic delay stop
- Stainless steel grease filter with 96,5 % grease deposit
- Recirculating air mode possible (see optional accessories)
- Exhaust air system incl.

Technical data:

- Electrical connection Induction 7,400 W / hood 115 W
- Air connection plinth fan Naber Compair Flow NW 150
- Appliance dimensions W x D approx. 898 × 518 mm
- Niche dimensions W x D approx. 860 × 500 mm (for flush installation please refer to the building-in diagrams)

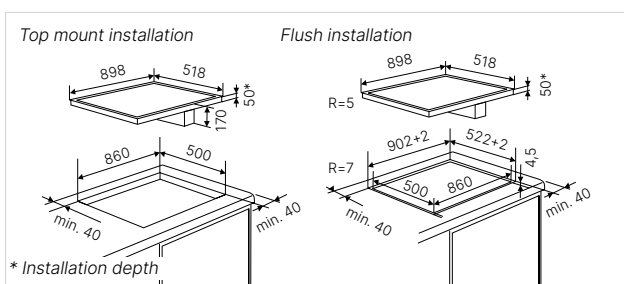
Optional accessories:


- FlexiGrill Acc. no. 1303
- PlasmaMade filter Acc. no. ZD 8001
- Charcoal filter box Acc. no. ZK 8001
- Glass cover Miradur Acc. no. ZK 8005
- Wireless window contact system Acc. no. ZK 8002

Design ventilation grilles:

- Design Stainless steel Acc. no. 99089
- Design Black Chrome Acc. no. 99090
- Design Silver Chrome Acc. no. 99091
- Design Gold Acc. no. 99092
- Design Black Velvet Acc. no. 99093
- Design Copper Acc. no. 99094

KMI 9800.0 SR-Miradur black, frameless





| Intuitive operation and comfort

| Induction hob:

Intuitive operation: Everything is easily under control. With the Slidercontrol glideControl+, you set the desired power level by simply touching and sliding.

More space for enjoyment: The 2 large flex zones offer you even more space for your cooking creations. You have the option of cooking with the pot of your choice, regardless of its size or shape.

Direct functions: Automatic cooking functions such as melting, keeping warm, pasta cooking, confit, frying, roasting, grilling, controlled by temperature sensors, guarantee perfect results every time.

| Hood:

Automatic functions: The extractor bonnet switches on automatically as soon as the hob is put into operation. The extraction power is directly adapted to the power level of the hob and the number of active cooking zones. The Auto-Fresh-Function keeps your fresh and odour-free .

Easy cleaning: Both the collection container and the moisture sponge can be easily accessed without tools and cleaned in the dishwasher at 60°C.

Durable, powerful and quiet: The so-called "brushless" motor works with extremely low wear, efficiently (energy class A+) and particularly quietly (under 66 dB (A)).

HOBS. DOWNDRAFT. INDUCTION. K-SERIES.5



Illustration black with ventilation grid, frameless



KMI 8590.0

Features induction hob:

- 10-level power controls "glideControl+" (power booster setting incl.) with red display
 - 8 automatic cooking functions: melting, keeping warm, pasta cooking, poaching, confit, frying, roasting, grilling
 - Bridge function, right and left cooking zones can be switched together to one cooking zone
 - PowerManagement
 - Residual heat indicator
 - Minute minder with switch-off feature
 - Holiday shut-down device (limiting operation duration time)
 - Ventilation grid incl.
 - 2 cooking zones 235 × 188,5 mm / 1.750 (2.200 W*)
 - 2 cooking zones 228 × 200 mm / 1.750 (2.000 W*)
- *with power booster setting

Features extractor:

- Fan under hob
- Extraction rate (to the outside) :
max. normal power setting 601 m³/h, intensive power setting 627 m³/h
- Noise level: min. 43 dB, max. 65 dB, int. 66 dB
- 10 power levels incl. high power setting
- Digital display
- Metal grease filter (10 layers)
with **89,5 % grease deposit**
- Automatic power control of the fan
- FreshAir function
- Filter saturation indicator
- Automatic delay stop
- Recirculating air mode possible (see optional accessories)
- Exhaust air output at the back on right side

Technical data:

- Electrical connection Induction 7.200 W / hood 200 W
- Air connection Naber Compair Flow NW 150
- Appliance dimensions W x D approx. 800 × 510 mm
- Niche dimensions W x D approx. 770 × 490 mm
(for flush installation please refer to the building-in diagrams)

Optional accessories:

- Stainless steel profiles Acc. no. ZK 0800
- FlexiGrill Acc. no. 1303
- PlasmaMade filter Acc. no. ZD 8001
- Ceramic filter set 3 pieces Acc. no. ZKM 8595
- Return air guide set Acc. no. ZKM 8500
- Basic set for exhaust air Acc. no. ZKM 8000 A

Design ventilation grilles:

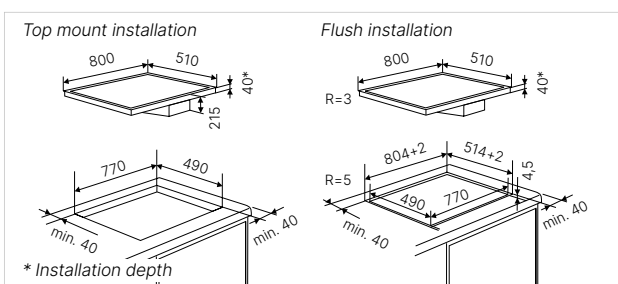
- Design Stainless steel Acc. no. DK 8591
- Design Black Chrome Acc. no. DK 8592
- Design Silver Chrome Acc. no. DK 8593
- Design Gold Acc. no. DK 8594
- Design Black Velvet Acc. no. DK 8595
- Design Copper Acc. no. DK 8597



Scan the QR code and find out.

KMI 8590.0 SR

black, frameless



HOBS. DOWNDRAFT. INDUCTION. K-SERIES.5

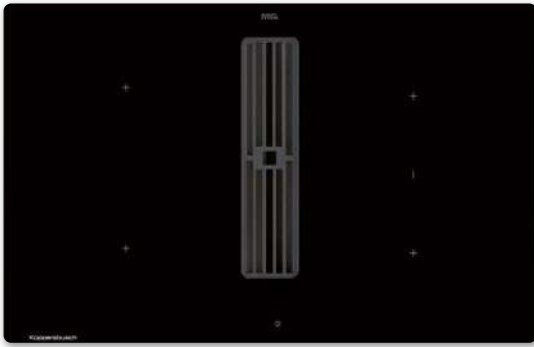


Illustration black with ventilation grid, frameless



KMI 8560.0

Features induction hob:

- 10-level power controls "glideControl" (power booster setting incl.) with white display
 - 3 automatic cooking functions: melting, keeping warm, pasta cooking
 - Optimised grill function for FlexiGrill Acc. no. 1303
 - Bridge function, right cooking zones can be switched together
 - Pan and pan size detection with automatic control indication
 - Automatic booster cooking phase
 - Residual heat indicator
 - Minute minder with switch-off feature
 - Holiday shut-down device (limiting operation duration time)
 - Ventilation grid incl.
 - 1 cooking zone \varnothing 210 mm / 2,300 W (3,700 W*)
 - 1 cooking zone \varnothing 180 mm / 1,850 W (3,000 W*)
 - 2 cooking zones 190 x 210 mm / 2,100 W (3,700 W*)
- *with power booster setting

Features extractor:

- Fan under hob
- Extraction rate (to the outside) : max. normal power setting 435 m³/h, intensive power setting 570 m³/h
- Noise level: min. 35 dB, max. 70 dB, int. 74 dB
- 10 power levels incl. high power setting
- Digital display
- Stainless steel grease filter in stainless steel frame (10 layers) with **97.7 % grease deposit**
- Automatic fan power regulation
- Automatic delay stop
- Recirculating air mode possible (see optional accessories)
- Exhaust air output at the back on right side

Technical data:

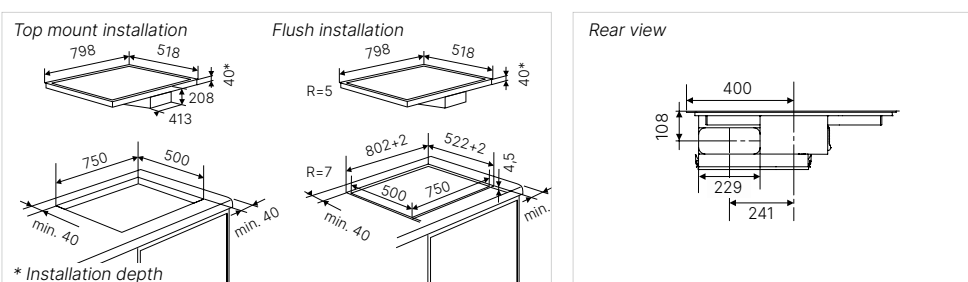
- Electrical connection Induction 7,600 W / hood 168 W
- Air connection Naber Compair Flow NW 150
- Appliance dimensions W x D approx. 798 x 518 mm
- Niche dimensions W x D approx. 750 x 500 mm (for flush installation please refer to the building-in diagrams)

Optional accessories:

- Stainless steel profiles Acc. no. ZK 0800
- FlexiGrill Acc. no. 1303
- PlasmaMade filter Acc. no. ZD 8001
- Charcoal filter Acc. no. ZKM 8150
- Glass cover black Acc. no. ZKM 8050
- Basic set for air exhaust Acc. no. ZKM 8000 A

KMI 8560.0 SR

black, frameless



HOBS. DOWNDRAFT. INDUCTION.

K-SERIES.5

K-SERIES.5

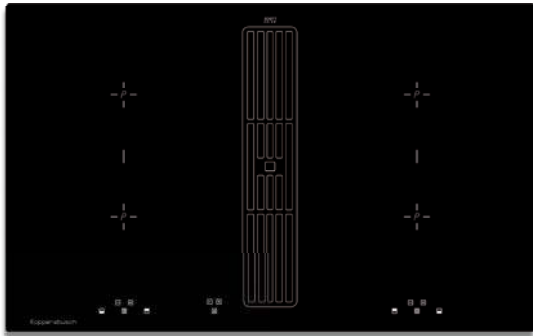


Illustration black with ventilation grid, frameless

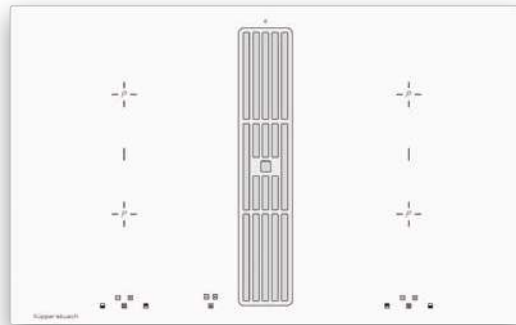


Illustration white with ventilation grid, frameless



KMI 8500.0

Features induction hob:

- 10-level power controls "selectControl" (power booster setting incl.) with red display
 - Bridge function, right and left cooking zones can be switched together to one cooking zone
 - Automatic booster cooking phase
 - Residual heat indicator
 - Minute minder with switch-off feature
 - Holiday shut-down device (limiting operation duration time)
 - Ventilation grid incl.
 - 2 cooking zones 210 × 190 mm / 2,100 W (3,000 W*)
 - 2 cooking zones 210 × 190 mm / 1,650 W (1,850 W*)
- *with power booster setting

Features extractor:

- Base fan
- Extraction rate (to the outside): max. normal power setting 530 m³/h, intensive power setting 620 m³/h
- Noise level: min. 45 dB, max. 63 dB, int. 68 dB
- 4-level power controls incl. high power setting
- Digital display
- Stainless steel grease filter with **96,5 % grease deposit**
- Automatic delay stop
- Recirculating air mode possible (see optional accessories)
- Exhaust air system incl.

Technical data:

- Electrical connection Induction 7,400 W / hood 115 W
- Air connection Naber Compair Flow NW 150
- Appliance dimensions W x D approx. 830 × 515 mm
- Niche dimensions W x D approx. 750 × 500 mm (for flush installation please refer to the building-in diagrams)

Optional accessories:

- FlexiGrill Acc. no. 1303
- PlasmaMade filter Acc. no. ZD 8001
- Charcoal filter box Acc. no. ZK 8001
- Glass cover, black Acc. no. ZK 8000
- Wireless window contact system Acc. no. ZK 8002

Design ventilation grilles:

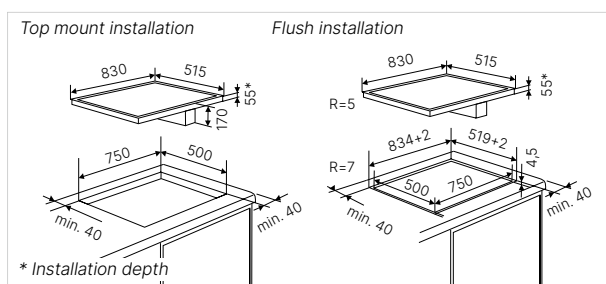
- Design Stainless steel Acc. no. 99089
- Design Black Chrome Acc. no. 99090
- Design Silver Chrome Acc. no. 99091
- Design Gold Acc. no. 99092
- Design Black Velvet Acc. no. 99093
- Design Copper Acc. no. 99094

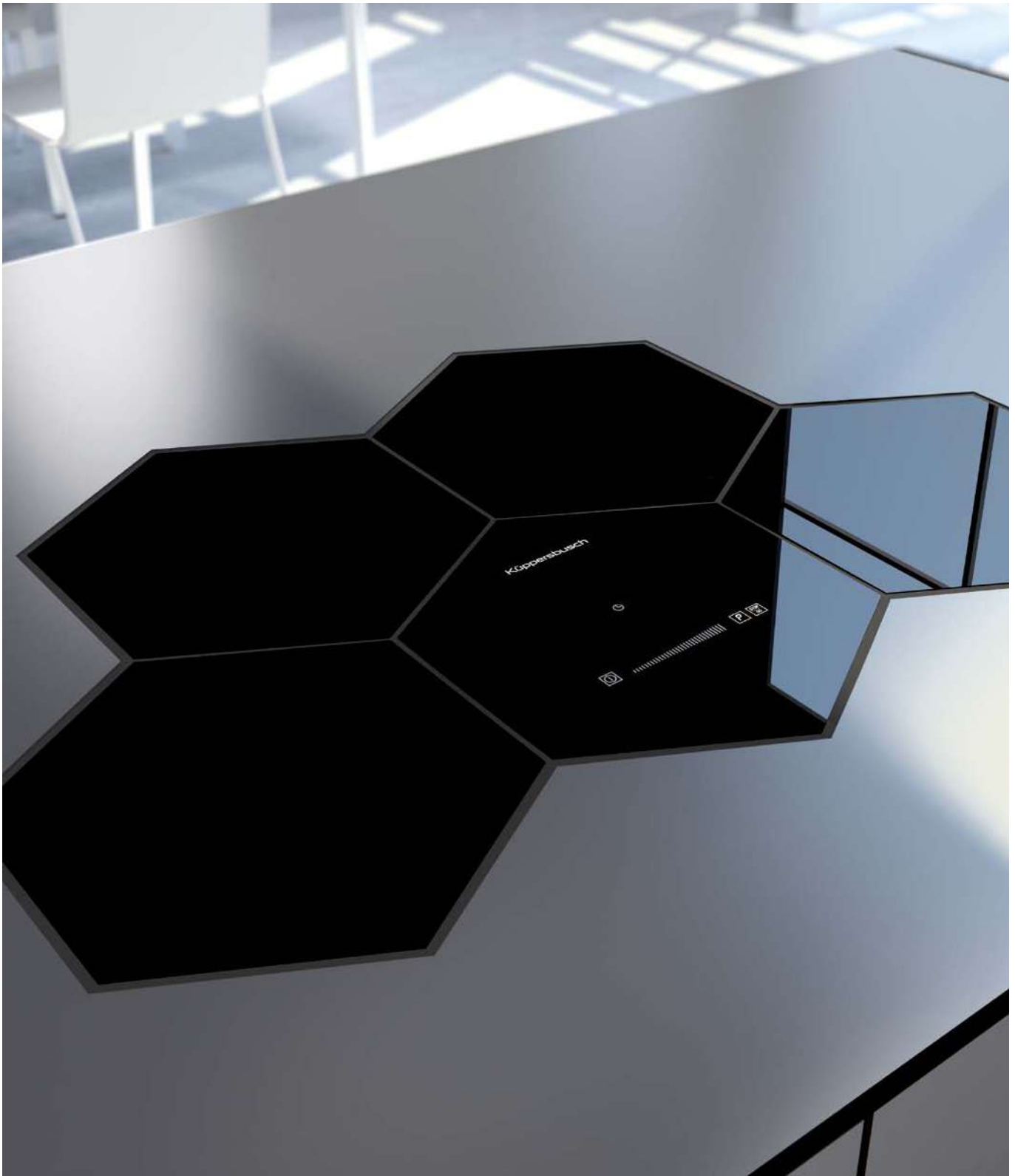
KMI 8500.0 SR

black, frameless

KMI 8500.0 WR

white, frameless



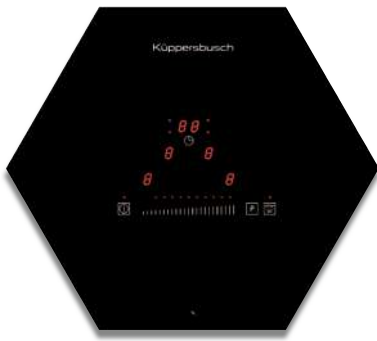


| For individual cooking enjoyment

Cooking has seldom been as enjoyable and as practical as it is today with our unique honeycomb hobs. An exceptional design and a high degree of flexibility mean the greatest possible individuality. Ideal hob design, optimal space utilisation and quick, easy cleaning are all combined. You have plenty of personal freedom when it comes to arranging the individual honeycombs. Simply put them together according to your own personal wishes.

HOBS. HONEYCOMB. INDUCTION.

K-SERIES.8



Frameless

EKWI 3740.0 W

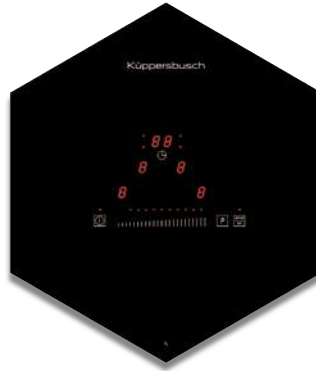


- 10-level power controls (power booster setting incl.) with red display
 - 1 special level: keeping warm
 - Switch-off memory
 - Automatic booster cooking phase
 - Residual heat indicator
 - Minute minder for up to 99 minutes with switch-off feature
 - Central switch-off control
 - Holiday shut-down device (limiting operation duration time)
 - 1 sensor touch honeycomb included
 - 4 separate cooking zones:
 - 2 x Ø 20 cm / 2,300 W (3,000 W*)
 - 2 x Ø 16 cm / 1,100 W (1,400 W*)
- * with power booster setting

Technical data:

- Electrical connection 7.4 kW
- Appliance dimensions W x D approx. 320 x 320 mm
- Installation depth 50 mm
- Niche dimensions see building-in diagrams

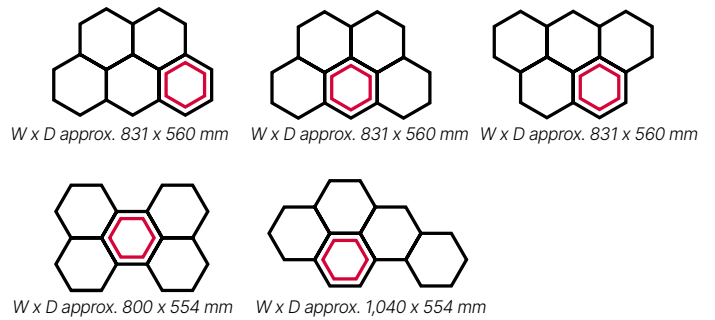
K-SERIES.8



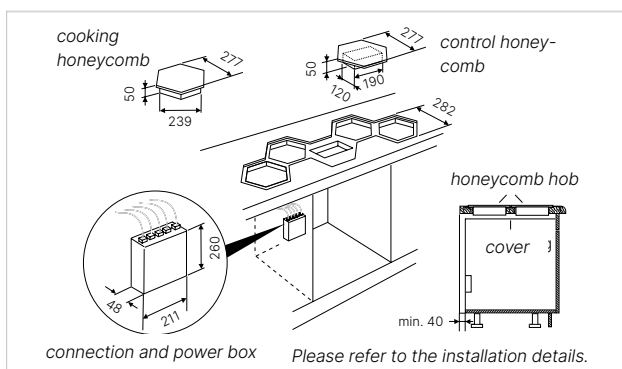
Frameless

EKWI 3740.0 S

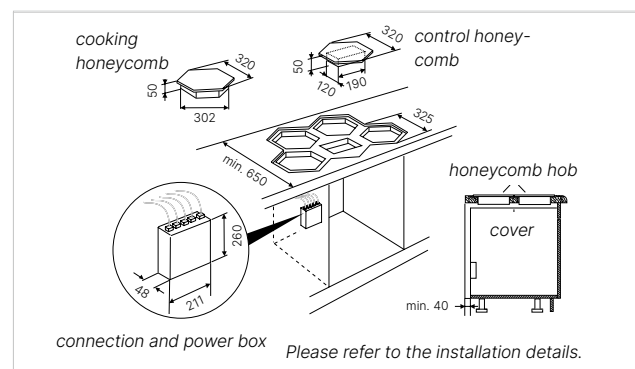
Examples of possible design layouts:



EKWI 3740.0 W black, frameless
Honeycomb-Set: 1 control honeycomb (horizontal hexagon) and 4 cooking zones



EKWI 3740.0 S black, frameless
Honeycomb-Set: 1 control honeycomb (pointed hexagon) and 4 cooking zones



HOBS. INDUCTION.

K-SERIES.8



Frameless



KI 9880.1 NEW

- 10-level power controls "glideControl+" (power booster setting incl.) with red display
 - 10 automatic cooking functions: melting, keeping warm, pasta cooking, poaching, confit, rice cooking, quick boiling, frying, roasting, grilling
 - Low-temperature cooking
 - Bridge function, front and rear cooking zone can be switched together to one cooking zone
 - PowerManagement
 - Residual heat indicator
 - Minute minder with switchoff feature
 - Central switchoff control
 - Holiday shutdown device (limiting operation duration time)
 - 4 cooking zones 262.5 × 195 mm / 2,400 W (3,700 W*)
 - 2 cooking zones 252.8 × 195 mm / 1,850 W (2,200 W*)
- *with power booster setting

Technical data:

- Electrical connection 11.1 kW
- Appliance dimensions W x D approx. 900 × 510 mm
- Installation depth 57 mm
- Niche dimensions W x D approx. 860 × 490 mm (for flush installation please refer to the building-in diagrams)

Optional accessories:

- FlexiGrill Acc. no. 1303

K-SERIES.8



Frameless



KI 8880.1 NEW

- 10-level power controls "glideControl+" (power booster setting incl.) with red display
 - 10 automatic cooking functions: melting, keeping warm, pasta cooking, poaching, confit, rice cooking, quick boiling, frying, roasting, grilling
 - Low-temperature cooking
 - Bridge function, front and rear cooking zone can be switched together to one cooking zone
 - PowerManagement
 - Residual heat indicator
 - Minute minder with switchoff feature
 - Central switchoff control
 - Holiday shutdown device (limiting operation duration time)
 - 4 cooking zones 296,5 × 197,5 mm / 2.400 W (3.700 W*)
- *with power booster setting

Technical data:

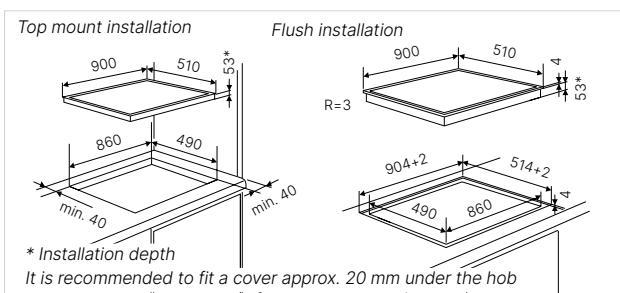
- Electrical connection 7.4 kW
- Appliance dimensions W x D approx. 780 × 510 mm
- Installation depth 57 mm
- Niche dimensions W x D approx. 750 × 490 mm (for flush installation please refer to the building-in diagrams)

Optional accessories:

- FlexiGrill Acc. no. 1303

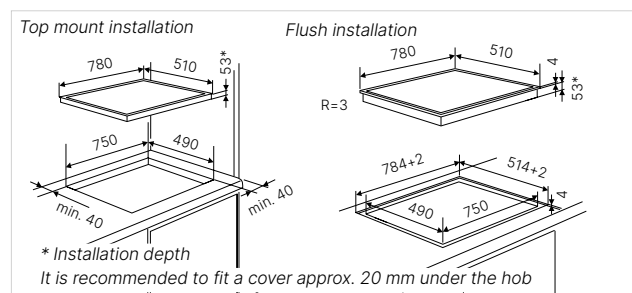
KI 9880.1 SR

black, frameless

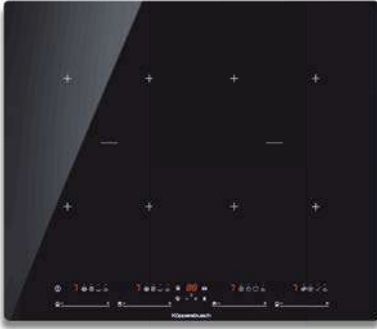


KI 8880.1 SR

black, frameless



HOBS. INDUCTION. K-SERIES.8



Frameless



KI 6880.1 NEW

- 10-level power controls "glideControl+" (power booster setting incl.) with red display
- 10 automatic cooking functions: melting, keeping warm, pasta cooking, poaching, confit, rice cooking, quick boiling, frying, roasting, grilling
- Low-temperature cooking
- Bridge function, front and rear cooking zone can be switched together to one cooking zone
- PowerManagement
- Residual heat indicator
- Minute minder with switchoff feature
- Central switchoff control
- Holiday shutdown device (limiting operation duration time)
- 4 cooking zones 262.5 × 195 mm / 2,400 W (3,700 W*)
- *with power booster setting

Technical data:

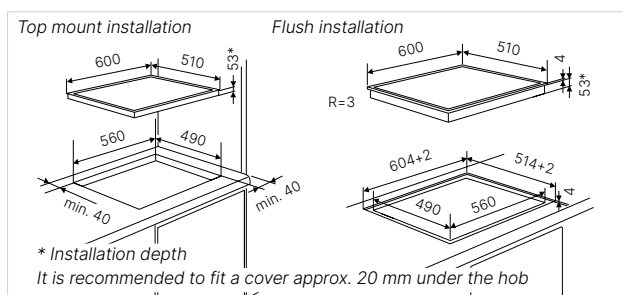
- Electrical connection 7.4 kW
- Appliance dimensions W x D approx. 600 × 510 mm
- Installation depth 57 mm
- Niche dimensions W x D approx. 560 × 490 mm (for flush installation please refer to the building-in diagrams)

Optional accessories:

- FlexiGrill Acc. no. 1303

KI 6880.1 SR

black, frameless



HOBS. INDUCTION. K-SERIES.8



Frameless



KI 9800.1 NEW

- High-quality metallic graphics
- 11-level power controls "glideControl+" (power booster setting incl.) with white display
- 3 automatic cooking functions: melting, keeping warm, pasta cooking
- Optimised grill function for FlexiGrill Acc. no. 1303
- Switch-off memory
- Bridge function, front and rear cooking zone can be switched together to one cooking zone
- Pan and pan size detection with automatic control indication
- Automatic booster cooking phase
- Residual heat indicator
- Minute minder with switch-off feature
- Central switch-off control
- Holiday shut-down device (limiting operation duration time)
- 6 cooking zones 210 × 190 mm / 2,100 W (3,700 W*)
*with power booster setting

Technical data:

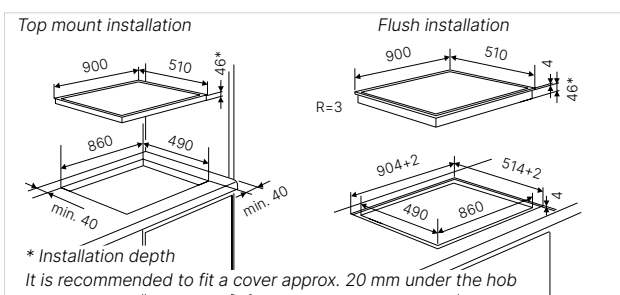
- Electrical connection 11.1 kW
- Appliance dimensions W x D approx. 900 × 510 mm
- Installation depth 46 mm
- Niche dimensions W x D approx. 860 × 490 mm
(for flush installation please refer to the building-in diagrams)

Optional accessories:

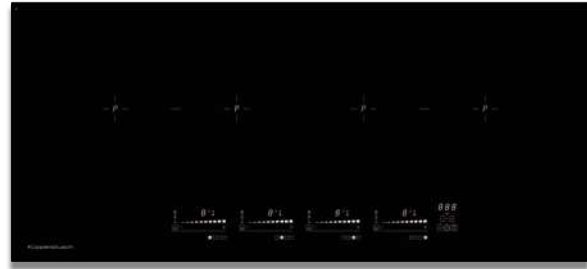
- FlexiGrill Acc. no. 1303

Available from 11/23

KI 9800.1 SR-Miradur black, frameless



K-SERIES.8



Frameless



KI 9800.0

- High-quality metallic graphics
- 11-level power controls "glideControl+" (power booster setting incl.) with white display
- 3 automatic cooking functions: melting, keeping warm, pasta cooking
- Optimised grill function for FlexiGrill Acc. no. 1303
- Switch-off memory
- Bridge function, cooking zones can be switched together to one cooking zone
- Pan and pan size detection with automatic control indication
- Automatic booster cooking phase
- Residual heat indicator
- Minute minder with switch-off feature
- Central switch-off control
- Holiday shut-down device (limiting operation duration time)
- 4 cooking zones 210 × 190 mm / 2,100 W (3,700 W*)
*with power booster setting

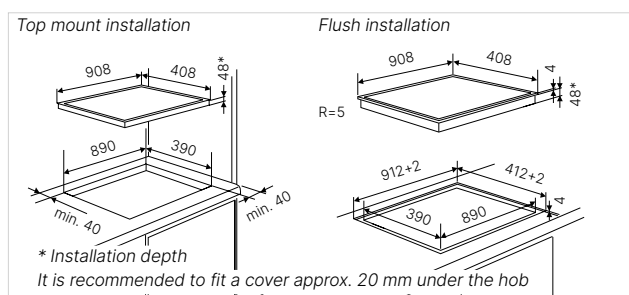
Technical data:

- Electrical connection 7.4 kW
- Appliance dimensions W x D approx. 908 × 408 mm
- Installation depth 48 mm
- Niche dimensions W x D approx. 890 × 390 mm
(for flush installation please refer to the building-in diagrams)

Optional accessories:

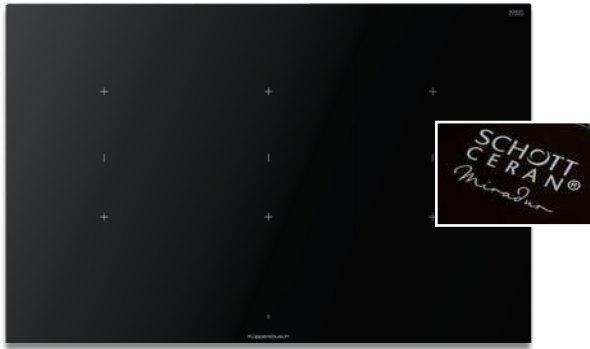
- FlexiGrill Acc. no. 1303

KI 9800.0 SR black, frameless



HOBS. INDUCTION.

K-SERIES.8



Frameless



KI 8820.0 * **NEW**

- 10-level power controls "glideControl" (power booster setting incl.) with white display
 - 1 automatic cooking function: keeping warm
 - Optimised grill function for FlexiGrill Acc. no. 1303
 - Switch-off memory
 - Bridge function, front and rear cooking zone can be switched together to one cooking zone
 - Residual heat indicator
 - Minute minder with switch-off feature
 - Central switch-off control
 - Holiday shut-down device (limiting operation duration time)
 - 3 cooking zones 210 × 190 mm / 1,600 W (1,850 W*)
 - 3 cooking zones 210 × 190 mm / 2,100 W (3,000 W*)
- *with power booster setting

Technical data:

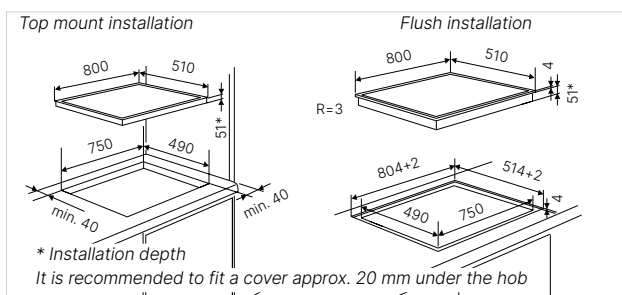
- Electrical connection 11.1 kW
- Appliance dimensions W x D approx. 800 × 510 mm
- Installation depth 51 mm
- Niche dimensions W x D approx. 750 × 490 mm (for flush installation please refer to the building-in diagrams)

Optional accessories:

- FlexiGrill Acc. no. 1303

Available from 11/23

KI 8820.0 SR-Mirador black, frameless



K-SERIES.8



Frameless



KI 8810.0

- 10-level power controls "knobControl" (power booster setting incl.) with **high-quality aluminium control knobs**
 - 1 automatic cooking function: keeping warm
 - Bridge function, front and rear cooking zone can be switched together to one cooking zone
 - Automatic booster cooking phase
 - Residual heat indicator
 - Holiday shut-down device (limiting operation duration time)
 - 2 cooking zones 210 × 190 mm / 2.100 W (3.000 W*)
 - 2 cooking zones 210 × 190 mm / 1.600 W (1.850 W*)
- *with power booster setting

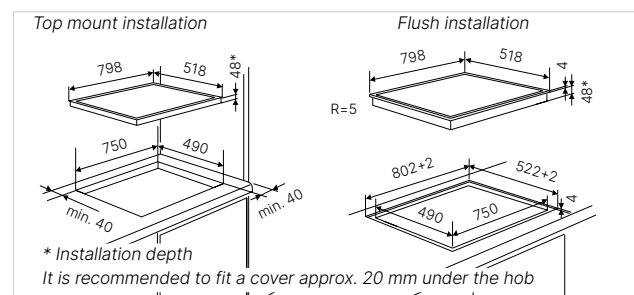
Technical data:

- Electrical connection 7,4 kW
- Appliance dimensions W x D approx. 798 × 518 mm
- Installation depth 48 mm
- Niche dimensions W x D approx. 760 × 490 mm (for flush installation please refer to the building-in diagrams)

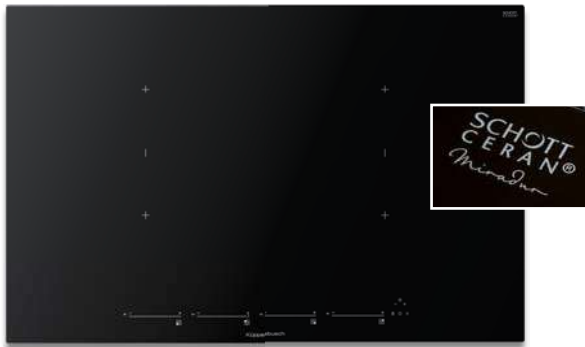
Optional accessories:

- Stainless steel profiles Acc. no. ZK 0800
- FlexiGrill Acc. no. 1303

KI 8810.0 SR black, flush installation



HOBS. INDUCTION. K-SERIES.8



Frameless



KI 8800.1 NEW

- 11-level power controls "glideControl+" (power booster setting incl.) with white display
- 3 automatic cooking functions: melting, keeping warm, pasta cooking
- Optimised grill function for FlexiGrill Acc. no. 1303
- Switch-off memory
- Bridge function, front and rear cooking zone can be switched together to one cooking zone
- Pan and pan size detection with automatic control indication
- Automatic booster cooking phase
- Residual heat indicator
- Minute minder with switch-off feature
- Central switch-off control
- Holiday shut-down device (limiting operation duration time)
- 4 cooking zones 210 × 190 mm / 2,100 W (3,700 W*)
*with power booster setting

Technical data:

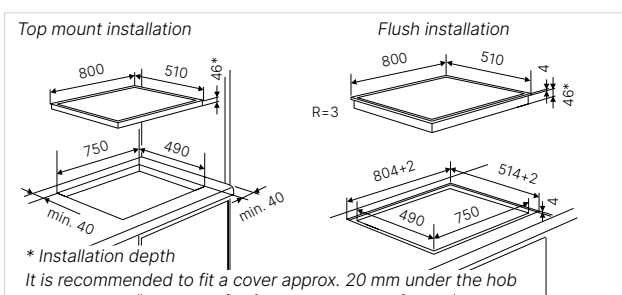
- Electrical connection 7.4 kW
- Appliance dimensions W x D approx. 800 × 510 mm
Installation depth 46 mm
- Niche dimensions W x D approx. 750 × 490 mm
(for flush installation please refer to the building-in diagrams)

Optional accessories:

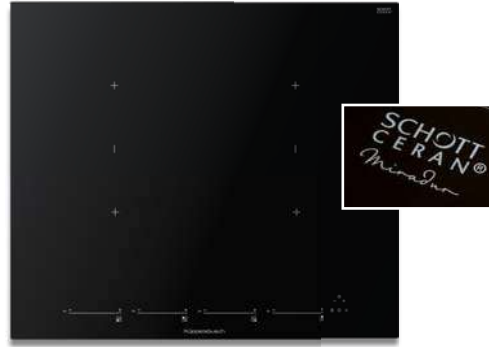
- FlexiGrill Acc. no. 1303

Available from 11/23

KI 8800.1 SR-Miradur black, frameless



K-SERIES.8



Frameless



KI 6800.0 NEW

- 11-level power controls "glideControl+" (power booster setting incl.) with white display
- 3 automatic cooking functions: melting, keeping warm, pasta cooking
- Optimised grill function for FlexiGrill Acc. no. 1303
- Switch-off memory
- Bridge function, front and rear cooking zone can be switched together to one cooking zone
- Pan and pan size detection with automatic control indication
- Automatic booster cooking phase
- Residual heat indicator
- Minute minder with switch-off feature
- Central switch-off control
- Holiday shut-down device (limiting operation duration time)
- 4 cooking zones 210 × 190 mm / 2,100 W (3,700 W*)
*with power booster setting

Technical data:

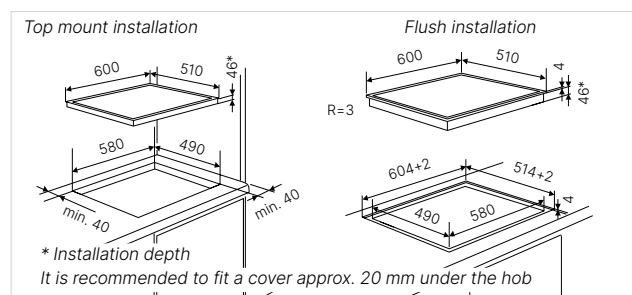
- Electrical connection 7.4 kW
- Appliance dimensions W x D approx. 600 × 510 mm
Installation depth 46 mm
- Niche dimensions W x D approx. 560 × 490 mm
(for flush installation please refer to the building-in diagrams)

Optional accessories:

- FlexiGrill Acc. no. 1303

Available from 11/23

KI 6800.1 SR-Miradur black, frameless





HOBS. INDUCTION. K-SERIES.5



Frameless



KI 9560.0

- 10-level power controls "glideControl" (power booster setting incl.) with red display
 - 1 automatic cooking function: keeping warm
 - Switch-off memory
 - Bridge function, right and left cooking zones can be switched together to one cooking zone
 - Automatic booster cooking phase
 - Residual heat indicator
 - Minute minder with switch-off feature
 - Central switch-off control
 - Holiday shut-down device (limiting operation duration time)
 - 4 cooking zones 210 × 190 mm / 2,100 W (3,000 W*)
 - 1 cooking zone Ø 125 mm / 2,300 W (3,000 W*)
- *with power booster setting

Technical data:

- Electrical connection 10.4 kW
- Appliance dimensions W x D approx. 898 × 518 mm
- Installation depth 54 mm
- Niche dimensions W x D approx. 850 × 490 mm (for flush installation please refer to the building-in diagrams)

Optional accessories:

- FlexiGrill Acc. no. 1303

K-SERIES.5



Frameless



KI 8560.0

- 10-level power controls "glideControl" (power booster setting incl.) with red display
 - 1 automatic cooking function: keeping warm
 - Switch-off memory
 - Bridge function, front and rear cooking zone can be switched together to one cooking zone
 - Automatic booster cooking phase
 - Residual heat indicator
 - Minute minder with switch-off feature
 - Central switch-off control
 - Holiday shut-down device (limiting operation duration time)
 - 4 cooking zones 210 × 190 mm / 2,100 W (3,000 W*)
- *with power booster setting

Technical data:

- Electrical connection 7.4 kW
- Appliance dimensions W x D approx. 798 × 518 mm
- Installation depth 54 mm
- Niche dimensions W x D approx. 750 × 490 mm (for flush installation please refer to the building-in diagrams)

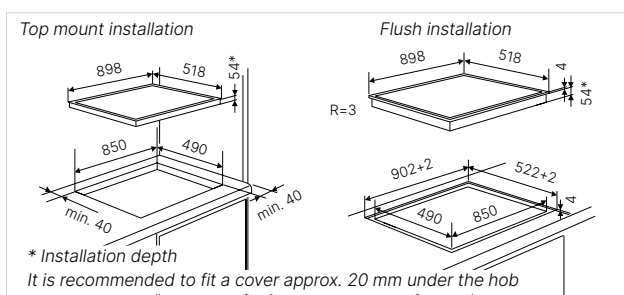
Optional accessories:

- Stainless steel profiles Acc. no. ZK 0800
- FlexiGrill Acc. no. 1303
- VarioLine metallic joining strip Acc. no. 1130 (only possible with stainless steel profiles)

**only possible with optinal accessory ZK 0800

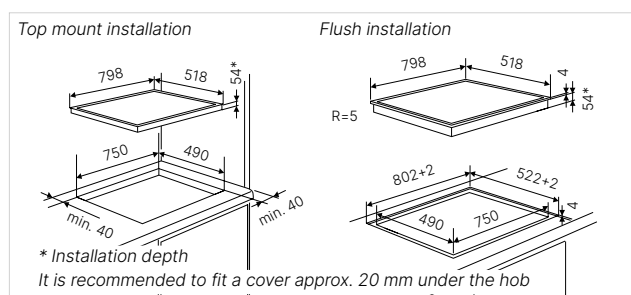
KI 9560.0 SR

black, frameless



KI 8560.0 SR

black, frameless



HOBS. INDUCTION. K-SERIES.5



Frameless



KI 6560.0

- 10-level power controls "glideControl" (power booster setting incl.) with red display
 - 1 automatic cooking function: keeping warm
 - Switch-off memory
 - Bridge function, front and rear cooking zone can be switched together to one cooking zone
 - Automatic booster cooking phase
 - Residual heat indicator
 - Minute minder with switch-off feature
 - Central switch-off control
 - Holiday shut-down device (limiting operation duration time)
 - 4 cooking zones 210 × 190 mm / 2,100 W (3,000 W*)
- *with power booster setting

Technical data:

- Electrical connection 7.4 kW
 - Appliance dimensions W x D approx. 598 × 518 mm
 - Installation depth 54 mm
 - Niche dimensions W x D approx. 560 × 490 mm
- (for flush installation please refer to the building-in diagrams)

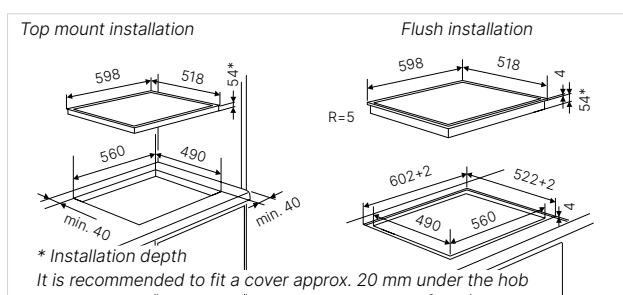
Optional accessories:

- Stainless steel profiles Acc. no. ZK 0600
 - FlexiGrill Acc. no. 1303
 - VarioLine metallic joining strip Acc. no. 1130
- (only possible with stainless steel profiles)

**only possible with optional accessory ZK 0600

KI 6560.0 SR

black, frameless



HOBS. INDUCTION.

K-SERIES.5



Frameless



KI 9550.0

- 10-level power controls "glideControl+" (power booster setting incl.) with red display
 - 9 automatic cooking functions: melting, keeping warm, pasta cooking, poaching, confit, quick boiling, frying, roasting, grilling
 - Bridge function, left cooking zones can be switched together
 - PowerManagement
 - Residual heat indicator
 - Minute minder with switchoff feature
 - Central switchoff control
 - Holiday shutdown device (limiting operation duration time)
 - 1 cooking zone \varnothing 320 mm / 2,500 W (3,600 W*)
 - 1 cooking zone \varnothing 215 mm / 2,100 W (3,000 W*)
 - 2 cooking zones 228 x 200 mm / 1,750 W (2,000 W*)
 - 1 cooking zone \varnothing 150 mm / 1,200 W (1,600 W*)
- *with power booster setting

Technical data:

- Electrical connection 10.8 kW
- Appliance dimensions W x D approx. 900 x 510 mm
- Installation depth 53 mm
- Niche dimensions W x D approx. 860 x 490 mm (for flush installation please refer to the building-in diagrams)

Optional accessories:

- FlexiGrill Acc. no. 1303

K-SERIES.5



Frameless



KI 8550.0 MattBlack **NEW**

- 10-level power controls "glideControl+" (power booster setting incl.) with red display
 - 8 automatic cooking functions: melting, keeping warm, pasta cooking, poaching, confit, frying, roasting, grilling
 - Bridge function, right cooking zones can be switched together
 - PowerManagement
 - Residual heat indicator
 - Minute minder with switchoff feature
 - Central switchoff control
 - Holiday shutdown device (limiting operation duration time)
 - 1 cooking zone \varnothing 280 mm / 2,100 W (2,500 W*)
 - 2 cooking zones 228 x 200 mm / 1,750 W (2,000 W*)
 - 1 cooking zone \varnothing 150 mm / 1,200 W (1,600 W*)
- *with power booster setting

Technical data:

- Electrical connection 7.2 kW
- Appliance dimensions W x D approx. 800 x 510 mm
- Installation depth 53 mm
- Niche dimensions W x D approx. 750 x 490 mm (for flush installation please refer to the building-in diagrams)

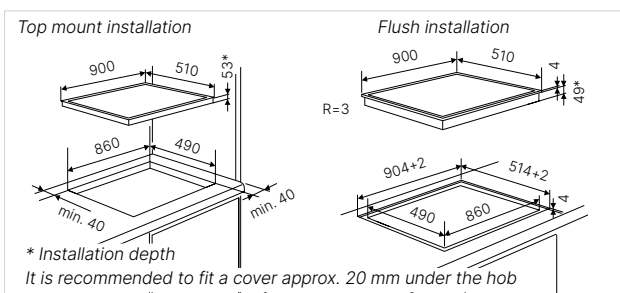
Optional accessories:

- FlexiGrill Acc. no. 1303

Available from 11/23

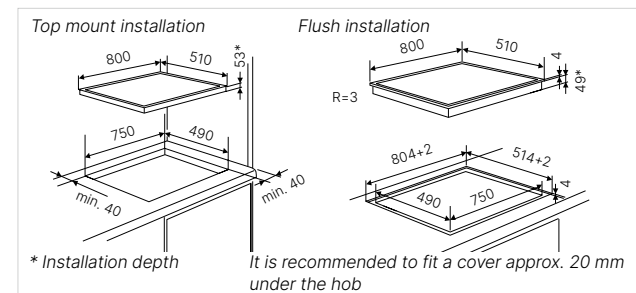
KI 9550.0 SR

black, frameless



KI 8550.0 KSMR

MattBlack, frameless



HOBS. INDUCTION. K-SERIES.5



Frameless



KI 8550.0

- 10-level power controls "glideControl+" (power booster setting incl.) with red display
 - 8 automatic cooking functions: melting, keeping warm, pasta cooking, poaching, confit, frying, roasting, grilling
 - Bridge function, right cooking zones can be switched together
 - PowerManagement
 - Residual heat indicator
 - Minute minder with switchoff feature
 - Central switchoff control
 - Holiday shutdown device (limiting operation duration time)
 - 1 cooking zone \varnothing 280 mm / 2,100 W (2,500 W*)
 - 2 cooking zones 228 x 200 mm / 1,750 W (2,000 W*)
 - 1 cooking zone \varnothing 150 mm / 1,200 W (1,600 W*)
- *with power booster setting

Technical data:

- Electrical connection 7.2 kW
- Appliance dimensions W x D approx. 800 x 510 mm
- Installation depth 53 mm
- Niche dimensions W x D approx. 750 x 490 mm
(for flush installation please refer to the building-in diagrams)

Optional accessories:

- FlexiGrill Acc. no. 1303

K-SERIES.5



Frameless



KI 6550.0

- 10-level power controls "glideControl+" (power booster setting incl.) with red display
 - 9 automatic cooking functions: melting, keeping warm, pasta cooking, poaching, confit, quick boiling, frying, roasting, grilling
 - Bridge function, right cooking zones can be switched together
 - PowerManagement
 - Residual heat indicator
 - Minute minder with switchoff feature
 - Central switchoff control
 - Holiday shutdown device (limiting operation duration time)
 - 1 cooking zone \varnothing 215 mm / 2,100 W (3,000 W*)
 - 2 cooking zones 228 x 200 mm / 1,750 W (2,000 W*)
 - 1 cooking zone \varnothing 150 mm / 1,200 W (1,600 W*)
- *with power booster setting

Technical data:

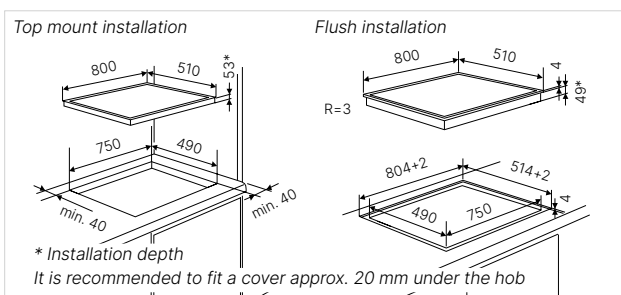
- Electrical connection 7.2 kW
- Appliance dimensions W x D approx. 600 x 510 mm
- Installation depth 53 mm
- Niche dimensions W x D approx. 560 x 490 mm
(for flush installation please refer to the building-in diagrams)

Optional accessories:

- FlexiGrill Acc. no. 1303

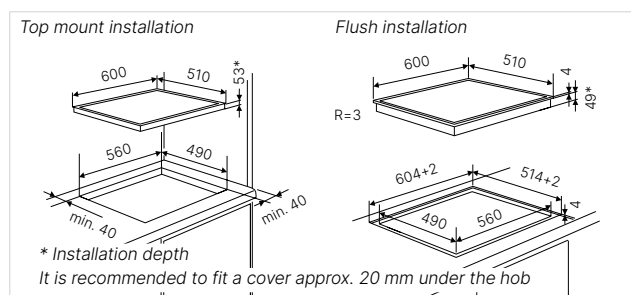
KI 8550.0 SR

black, frameless



KI 6550.0 SR

black, frameless





HOBS. INDUCTION. K-SERIES.5



Frameless



KI 8520.0

- White glass
 - 10-level power controls "selectControl" (power booster setting incl.) with red display
 - 1 automatic cooking function: keeping-warm level approx. 70°C
 - Switch-off memory
 - Bridge function, left cooking zones can be switched together
 - Residual heat indicator
 - Minute minder with switch-off feature
 - Central switch-off control
 - Holiday shut-down device (limiting operation duration time)
 - 1 cooking zone 210 × 190 mm / 2,100 W (3,000 W*)
 - 1 cooking zone 210 × 190 mm / 1,600 W (1,850 W*)
 - 1 cooking zone Ø 215 mm / 2,300 W (3,000 W*)
 - 1 cooking zone Ø 180 mm / 1,100 W (1,400 W*)
- *with power booster setting

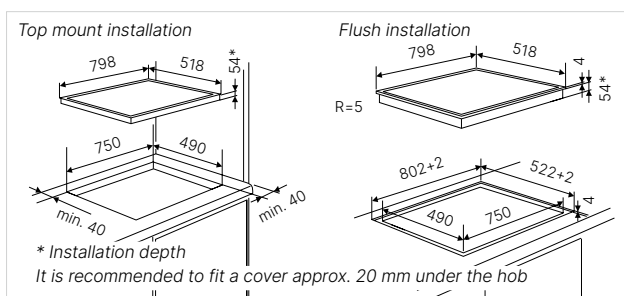
Technical data:

- Electrical connection 7.4 kW
- Appliance dimensions
 - Stainless steel frame W x D approx. 800 × 520 mm
 - Frameless W x D approx. 798 × 518 mm
 - Installation depth 54 mm
- Niche dimensions W x D approx. 750 × 490 mm (for flush installation please refer to the building-in diagrams)

Optional accessories:

- Stainless steel profiles Acc. no. ZK 0800
- FlexiGrill Acc. no. 1303

KI 8520.0 WR white, frameless



K-SERIES.5



Frameless



KI 6520.0

- White glass
 - 10-level power controls "selectControl" (power booster setting incl.) with red display
 - 1 automatic cooking function: keeping-warm level approx. 70°C
 - Switch-off memory
 - Bridge function, left cooking zones can be switched together
 - Residual heat indicator
 - Minute minder with switch-off feature
 - Central switch-off control
 - Holiday shut-down device (limiting operation duration time)
 - 1 cooking zone 210 × 190 mm / 2,100 W (3,000 W*)
 - 1 cooking zone 210 × 190 mm / 1,600 W (1,850 W*)
 - 1 cooking zone Ø 215 mm / 2,300 W (3,000 W*)
 - 1 cooking zone Ø 180 mm / 1,100 W (1,400 W*)
- *with power booster setting

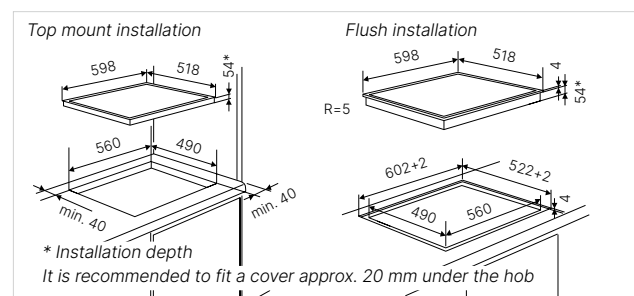
Technical data:

- Electrical connection 7.4 kW
- Appliance dimensions
 - Stainless steel frame W x D approx. 600 × 520 mm
 - Frameless W x D approx. 598 × 518 mm
 - Installation depth 54 mm
- Niche dimensions W x D approx. 560 × 490 mm (for flush installation please refer to the building-in diagrams)

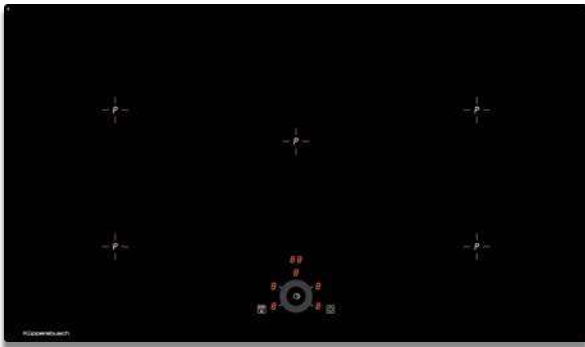
Optional accessories:

- Stainless steel profiles Acc. no. ZK 0600
- FlexiGrill Acc. no. 1303

KI 6520.0 WR white, frameless



HOBS. INDUCTION. K-SERIES.3



Frameless



KI 9330.0

- 10-level power controls "dialControl" (power booster setting incl.) with red display
 - 1 automatic cooking function: keeping-warm level approx. 70°C
 - Switch-off memory
 - Automatic booster cooking phase
 - Residual heat indicator
 - Minute minder with switch-off feature
 - Central switch-off control
 - Holiday shut-down device (limiting operation duration time)
 - 1 cooking zone Ø 175 mm / 1,100 W (1,400 W*)
 - 1 cooking zone Ø 175 mm / 1,400 W (2,000 W*)
 - 1 cooking zone Ø 265 mm / 2,300 W (3,000 W*)
 - 1 cooking zone Ø 215 mm / 2,300 W (3,000 W*)
 - 1 cooking zone Ø 175 mm / 1,100 W (1,400 W*)
- *with power booster setting

Technical data:

- Electrical connection 7.4 kW
- Appliance dimensions W x D approx. 898 x 518 mm
- Installation depth 54 mm
- Niche dimensions W x D approx. 810 x 490 mm (for flush installation please refer to the building-in diagrams)

K-SERIES.3



Frameless



KI 8330.0

- 10-level power controls "dialControl" (power booster setting incl.) with red display
 - 1 automatic cooking function: keeping-warm level approx. 70°C
 - Switch-off memory
 - Automatic booster cooking phase
 - Residual heat indicator
 - Minute minder with switch-off feature
 - Central switch-off control
 - Holiday shut-down device (limiting operation duration time)
 - 1 cooking zone Ø 215 mm / 2,300 W (3,000 W*)
 - 1 cooking zone Ø 175 mm / 1,100 W (1,400 W*)
 - 1 cooking zone Ø 215 mm / 2,300 W (3,000 W*)
 - 1 cooking zone Ø 175 mm / 1,100 W (1,400 W*)
- *with power booster setting

Technical data:

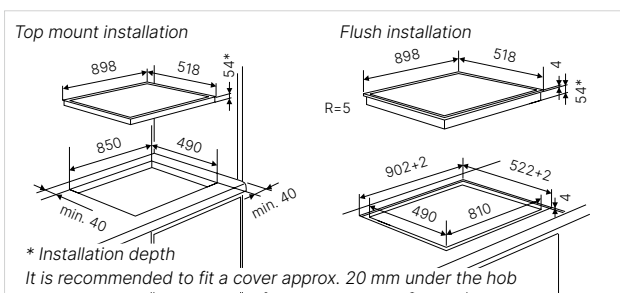
- Electrical connection 7.4 kW
- Appliance dimensions W x D approx. 798 x 518 mm
- Installation depth 54 mm
- Niche dimensions W x D approx. 750 x 490 mm (for flush installation please refer to the building-in diagrams)

Optional accessories:

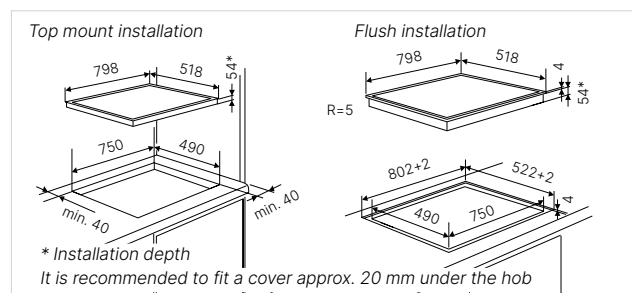
- Stainless steel profiles Acc. no. ZK 0800
- Varioline metallic joining strip Acc. no. 1130 (only possible with stainless steel profiles)

**only possible with optimal accessory ZK 0800

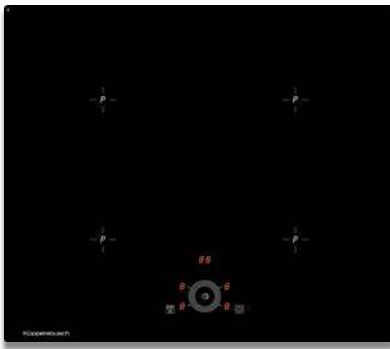
KI 9330.0 SR black, frameless



KI 8330.0 SR black, frameless



HOBS. INDUCTION. K-SERIES.3



Frameless



KI 6330.0

- 10-level power controls "dialControl" (power booster setting incl.) with red display
 - 1 automatic cooking function: keeping-warm level approx. 70°C
 - Switch-off memory
 - Automatic booster cooking phase
 - Residual heat indicator
 - Minute minder with switch-off feature
 - Central switch-off control
 - Holiday shut-down device (limiting operation duration time)
 - 1 cooking zone Ø 200 mm / 2,300 W (3,000 W*)
 - 1 cooking zone Ø 180 mm / 1,100 W (1,400 W*)
 - 1 cooking zone Ø 220 mm / 2,300 W (3,000 W*)
 - 1 cooking zone Ø 160 mm / 1,100 W (1,400 W*)
- *with power booster setting

Technical data:

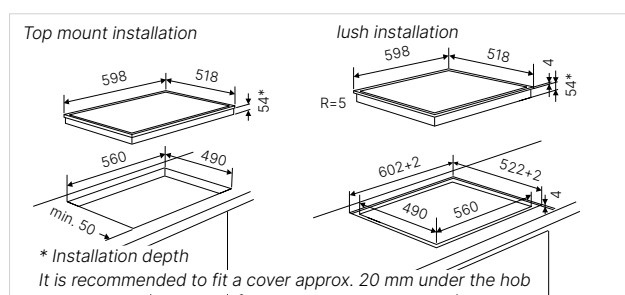
- Electrical connection 7.4 kW
- Appliance dimensions W x D approx. 598 × 518 mm
- Installation depth 54 mm
- Niche dimensions W x D approx. 560 × 490 mm
(for flush installation please refer to the building-in diagrams)

Optional accessories:

- Stainless steel profiles Acc. no. ZK 0600
- VariLine metallic joining strip Acc. no. 1130
(only possible with stainless steel profiles)

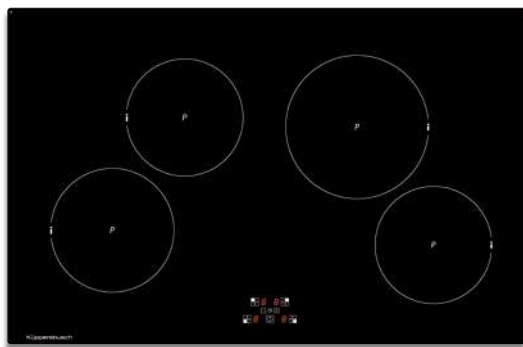
**only possible with optional accessory ZK 0600

KI 6330.0 SR black, frameless



HOBS. INDUCTION.

K-SERIES.1



Frameless



KI 8120.0

- 10-level power controls "selectControl" (power booster setting incl.) with red display
 - Residual heat indicator
 - Minute minder with switch-off feature
 - Central switch-off control
 - Holiday shut-down device (limiting operation duration time)
 - 1 cooking zone Ø 190 mm / 2,300 W (3,000 W*)
 - 1 cooking zone Ø 170 mm / 1,100 W (1,400 W*)
 - 1 cooking zone Ø 220 mm / 2,300 W (3,000 W*)
 - 1 cooking zone Ø 155 mm / 1,100 W (1,400 W*)
- * with power booster setting

Technical data:

- Electrical connection 7.4 kW
- Appliance dimensions W x D approx. 798 x 518 mm
- Installation depth 54 mm
- Niche dimensions W x D approx. 750 x 490 mm (for flush installation please refer to the building-in diagrams)

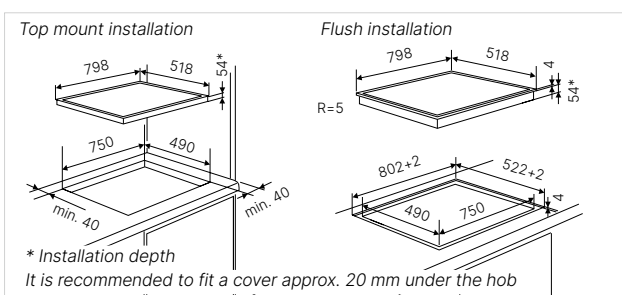
Optional accessories:

- Stainless steel profiles Acc. no. ZK 0800
- Varioline metallic joining strip Acc. no. 1130 (only possible with stainless steel profiles)

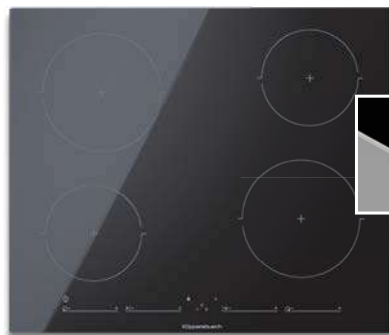
**only possible with optinal accessory ZK 0800

KI 8120.0 SR

black, frameless



K-SERIES.1



Frameless



KI 6130.0

- 10-level power controls "glideControl+" (power booster setting incl.) with red display
 - PowerManagement
 - Residual heat indicator
 - Minute minder with switchoff feature
 - Central switchoff control
 - Holiday shutdown device (limiting operation duration time)
 - 2 cooking zones Ø 185 mm 1.700 W (2.100 W*)
 - 2 cooking zones Ø 150 mm 1.200 W (1.500 W*)
- *with power booster setting

Technical data:

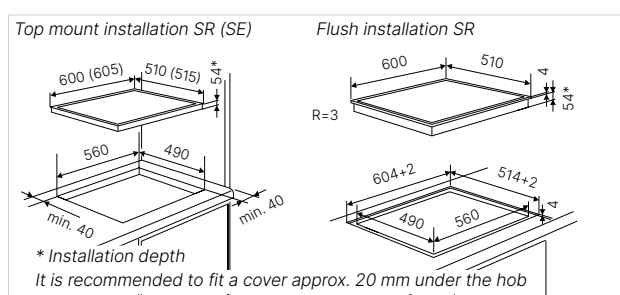
- Electrical connection 7.2 kW
- Appliance dimensions W x D approx. 600 x 510 mm
- Installation depth 58 mm
- Niche dimensions W x D approx. 560 x 490 mm (for flush installation please refer to the building-in diagrams)
- For further information see Technical data

KI 6130.0 SR

black, frameless

KI 6130.0 SE

black, SlimLine metal frame





HOBS. ELECTRONIC. K-SERIES.3



Frameless



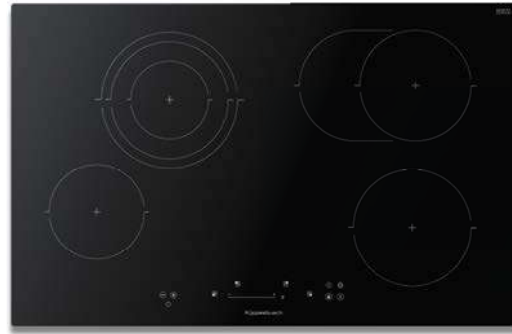
KE 9350.0 NEW

- 9-level power controls „glideControl“ with red display
- Residual heat indicator
- Minute minder with switch-off feature
- Central switch-off control
- Holiday shut-down device (limiting operation duration time)
- 1 Dual-circuit cooking zone \varnothing 180 oder 120 mm / 1,700 W or 700 W
- 1 Cooking zone \varnothing 180 mm / 1,800 W
- 1 Triple-circuit cooking zone \varnothing 270, 210 or 145 mm / 2,700, 1,950 or 1,050 W
- 1 Cooking zone \varnothing 160 mm / 1,500 W
- 1 Cooking zone \varnothing 145 mm / 1,200 W

Technical data:

- Electrical connection 8.9 kW
- Appliance dimensions W x D approx. 900 x 510 mm
- Installation depth 51 mm
- Niche dimensions W x D approx. 860 x 490 mm
(for flush installation please refer to the building-in diagrams)

K-SERIES.3



Frameless



KE 8350.0 NEW

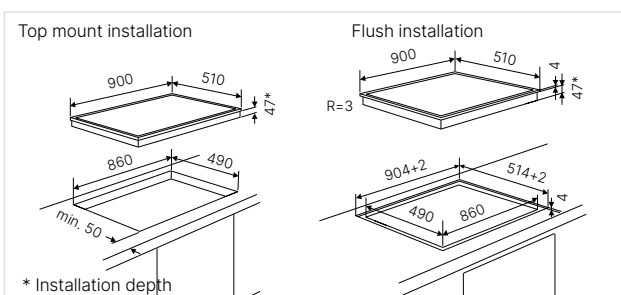
- 9-level power controls „glideControl“ with red display
- automatic cooking function: Yoghurt function
- Residual heat indicator
- Minute minder with switch-off feature
- Central switch-off control
- Holiday shut-down device (limiting operation duration time)
- 1 Cooking zone \varnothing 145 mm / 1,200 W
- 1 Cooking zone \varnothing 180 mm / 1,800 W
- 1 Triple-circuit cooking zone \varnothing 210, 180 or 120 mm / 2,300, 1,600 or 800 W
- 1 Dual-circuit cooking/ grilling zone \varnothing 170 or 265 x 170 mm / 2,200 W or 1,400 W

Technical data:

- Electrical connection 7.5 kW
- Appliance dimensions W x D approx. 800 x 510 mm
- Installation depth 51 mm
- Niche dimensions W x D approx. 750 x 490 mm
(for flush installation please refer to the building-in diagrams)

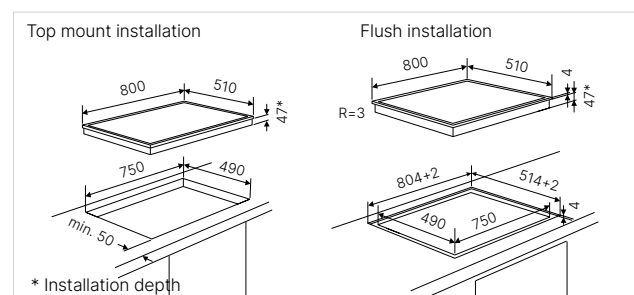
KE 9350.0 SR

black, Frameless



KE 8350.0 SR

black, Frameless



HOBS. ELECTRONIC. K-SERIES.3



Frameless



KE 6350.0 NEW

- 9-level power controls „**glideControl**“ with red display
- automatische Kochfunktion: Joghurt-Funktion
- Residual heat indicator
- Minute minder with switch-off feature
- Central switch-off control
- Holiday shut-down device (limiting operation duration time)
- 2 Cooking zones \varnothing 145 mm / 1,200 W
- 1 Triple-circuit cooking zone \varnothing 210, 180 or 120 mm / 2,300, 1,600 or 800 W
- 1 Dual-circuit cooking/ grilling zone \varnothing 170 or 265 x 170 mm / 2,200 W or 1,400 W

Technical data:

- Electrical connection 6,9 kW
- Appliance dimensions W x D approx. 600 x 510 mm
- Installation depth 60 mm
- Niche dimensions W x D approx. 560 x 490 mm (for flush installation please refer to the building-in diagrams)

K-SERIES.1



SlimLine metal frame



KE 6130.1

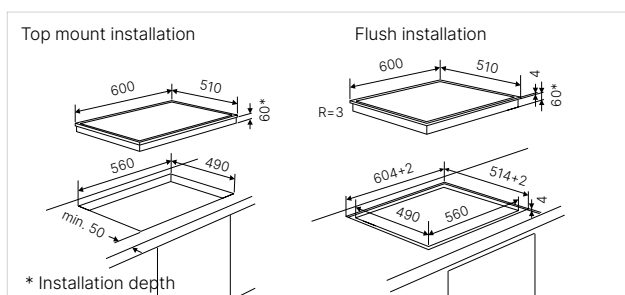
- 9-level power controls “**selectControl**“ with red display
- Automatic booster cooking phase
- Residual heat indicator
- Minute minder with switch-off feature
- Holiday shut-down device (limiting operation duration time)
- 2 cooking zones \varnothing 145 mm / 1,200 W
- 1 dual-circuit cooking zone \varnothing 170 mm or 265 x 170 mm / 1,400 or 2,200 W
- 1 triple-circuit cooking zone \varnothing 120 / 180 / 210 mm / 800 / 1,600 / 2,300 W

Technical data:

- Electrical connection 6.9 kW
- Appliance dimensions W x D approx. 605 x 515 mm
- Installation depth 51 mm
- Niche dimensions W x D approx. 560 x 490 mm

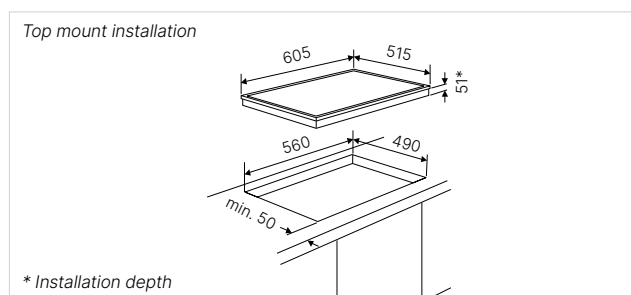
KE 6350.0 SR

black, Frameless



KE 6130.1 SE

black, SlimLine metal frame





| Induction & Gashobs



Experience the many possibilities of cooking with gas and induction at the same time, helping every discerning cook to embark on an individual culinary voyage of discovery.

Mix cooktops that feature powerful gas burners and the precise control of induction.

These unique cooktops range in size from 60 cm to 90 cm, can be flush or surface mounted.

Each of these hobs has been designed for exceptional performance at a professional level.

HOBS. ELECTRONIC. K-SERIES.8



Frameless



KIG 9850.0 NEW

Induction

- 10-level power controls „glideControl“ (power booster setting incl.) with red display
 - 9 automatic cooking functions: melting, keeping warm, pasta cooking, poaching, confit, quick boiling, frying, roasting, grilling
 - Bridge function, right cooking zones can be switched together
 - PowerManagement, Residual heat indicator
 - Minute minder with switch-off feature
 - Central switch-off control
 - Holiday shut-down device (limiting operation duration time)
 - 2 cooking zones 228 x 200 mm / 1,750 W (2,000 W*)
 - 1 cooking zone ø 215 mm / 1,700 W (2,100 W*)
 - 1 cooking zone ø 150 mm / 1,200 W (1,500 W*)
- * with power booster setting

Gas

- Variable power control „knobControl“
- Dual wok power control
- Full safety device
- Pan supports (cast iron), Burner cap (black enamelled)
- 1 Dual wok burner 6.0 kW

Technical data:

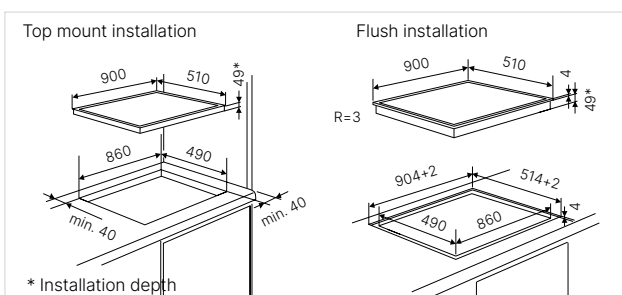
- Electrical connection 7.2 kW
- Appliance dimensions W x D approx. 900 x 510 mm
- Installation depth 53 mm
- Niche dimensions W x D approx. 860 x 490 mm (for flush installation please refer to the building-in diagrams)

Cooker hood obligatory due to the high performance.

Available from 11/23

KIG 9850.0 SR

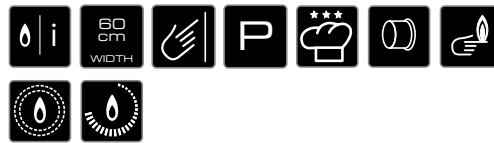
black, Frameless



K-SERIES.8



Frameless



KIG 6850.0 NEW

Induction

- 10-level power controls „glideControl“ (power booster setting incl.) with red display
 - 7 automatic cooking functions: keeping warm, pasta cooking, poaching, confit, frying, roasting, grilling
 - Bridge function, right cooking zones can be switched together
 - PowerManagement, Residual heat indicator
 - Minute minder with switch-off feature
 - Central switch-off control
 - Holiday shut-down device (limiting operation duration time)
 - 2 cooking zones 255 x 200 mm / 1,750 W (2,000 W*)
- * with power booster setting

Gas

- Variable power control „knobControl“
- Dual wok power control
- Full safety device
- Pan supports (cast iron)
- Burner cap (black enamelled)
- Dual wok burner 6.0 kW

Technical data:

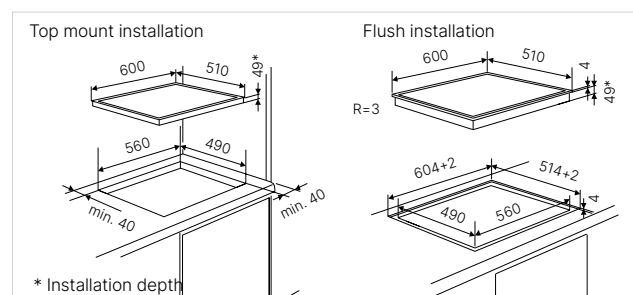
- Electrical connection 3.6 kW
- Appliance dimensions W x D approx. 600 x 510 mm
- Installation depth 53 mm
- Niche dimensions W x D approx. 560 x 490 mm (for flush installation please refer to the building-in diagrams)

Cooker hood obligatory due to the high performance.3

Available from 11/23

KIG 6850.0 SR

black, Frameless





| New gas hobs

An eye-catcher for unique culinary worlds: The new gas hobs.

The creative process of cooking demands cooking methods that enable every amateur chef to devote himself to his passion. Küppersbusch will inspire him with the new gas hobs.

The new gas hobs have exceptional performance and controls that feel premium because they are. This is a successful masterpiece of technology: with brass burners, they make cooking uncomplicated, versatile and extremely precise. The unique 8 kW double wok burners open up the next dimension of cooking, especially for all wok lovers.



Hobs & Downdraft



HOBS. GAS.

K-SERIES.8



Design Black Steel



KG 9850.0 NEW

- ProfiLine Design
- Variable power control „knobControl“
- Brass burners
- Dual wok power control
- Full safety device
- Pan supports (cast iron)
- Burner cap (black enamelled)
- 1 Dual wok burner 4.2 kW
- 1 High speed burner 2.8 kW
- 1 Standard burner 1.75 kW
- 1 Standard burner 1.4 kW
- 1 Simmer burner 1.0 kW

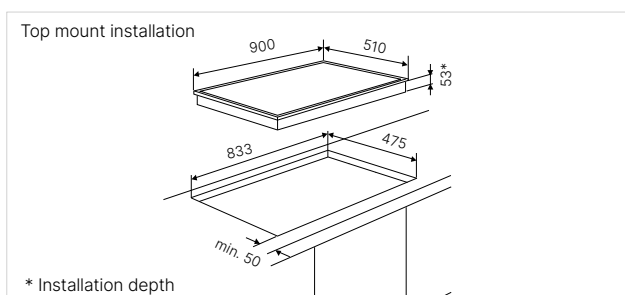
Technical data:

- Gas-Electrical connection 11.2 kW
- Elektro-Electrical connection 0.1 kW
- Appliance dimensions W x D approx. 900 x 510 mm
- Installation depth 53 mm
- Niche dimensions W x D approx. 850 x 480 mm

Cooker hood obligatory due to the high performance.

Available from 12/23

KG 9850.0 SE black, Black Steel



K-SERIES.8



Design Black Steel



KG 7850.0 NEW

- ProfiLine Design
- Variable power control „knobControl“
- Brass burners
- Dual wok power control
- Full safety device
- Pan supports (cast iron)
- Burner cap (black enamelled)
- 1 Dual wok burner 4.2 kW
- 1 High speed burner 2.8 kW
- 1 Standard burner 1.75 kW
- 1 Standard burner 1.4 kW
- 1 Simmer burner 1.0 kW

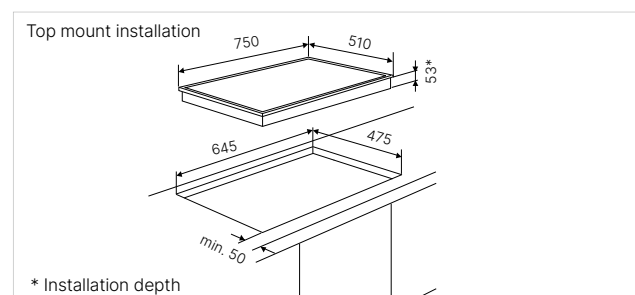
Technical data:

- Gas-Electrical connection 11.2 kW
- Elektro-Electrical connection 0.1 kW
- Appliance dimensions W x D approx. 750 x 510 mm
- Installation depth 53 mm
- Niche dimensions W x D approx. 645 x 480 mm

Cooker hood obligatory due to the high performance.

Available from 12/23

KG 7850.0 SE black, Black Steel



HOBS. GAS.

K-SERIES.8



Design Black Steel



KG 6853.0 NEW

- ProfiLine Design
- Variable power control „knobControl“
- Brass burners
- Dual wok power control
- Full safety device
- Pan supports (cast iron)
- Burner cap (black enamelled)
- 1 Dual wok burner 4.2 kW
- 1 High speed burner 2.8 kW
- 1 Standard burner 1.4 kW

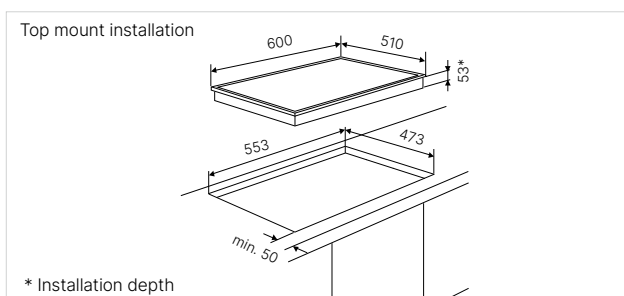
Technical data:

- Gas-Electrical connection 8.4 kW
- Elektro-Electrical connection 0.1 kW
- Appliance dimensions W x D approx. 600 x 510 mm
- Installation depth 53 mm
- Niche dimensions W x D approx. 570 x 480 mm

Cooker hood obligatory due to the high performance.

Available from 12/23

KG 6853.0 SE black, Black Steel



K-SERIES.8



Design Black Steel



KG 6850.0 NEW

- ProfiLine Design
- Variable power control „knobControl“
- Brass burners
- Full safety device
- Pan supports (cast iron)
- Burner cap (black enamelled)
- 1 High speed burner 2.8 kW
- 1 Standard burner 1.75 kW
- 1 Standard burner 1.4 kW
- 1 Simmer burner 1.0 kW

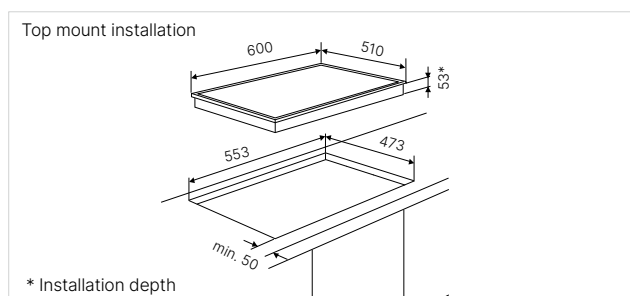
Technical data:

- Gas-Electrical connection 7.0 kW
- Elektro-Electrical connection 0.1 kW
- Appliance dimensions W x D approx. 600 x 510 mm
- Installation depth 53 mm
- Niche dimensions W x D approx. 570 x 480 mm

Cooker hood obligatory due to the high performance.

Available from 12/23

KG 6850.0 SE black, Black Steel



HOBS. GAS. K-SERIES.8



Design Black Steel



VKGW 3850.0 NEW

- ProfiLine Design
- Variable power control „knobControl“
- Brass burners
- Dual wok power control
- Full safety device
- Pan supports (cast iron)
- Burner cap (black enamelled)
- 1 Dual wok burner 8.0 kW

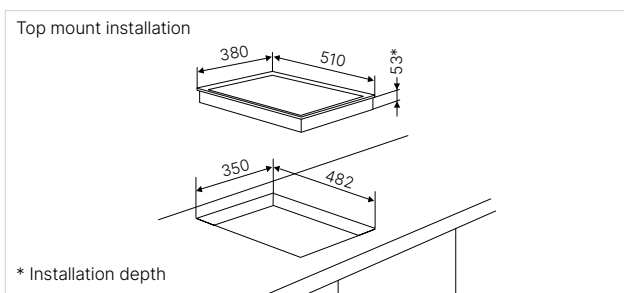
Technical data:

- Gas-Electrical connection 8.0 kW
- Elektro-Electrical connection 0.1 kW
- Appliance dimensions W x D approx. 380 x 510 mm
- Installation depth 53 mm
- Niche dimensions W x D approx. 366 x 480 mm

Cooker hood obligatory due to the high performance.

Available from 12/23

VKGW 3850.0 SE black, Black Steel



K-SERIES.8



Design Black Steel



VKG 3850.0 NEW

- ProfiLine Design
- Variable power control „knobControl“
- Brass burners
- Full safety device
- Pan supports (cast iron)
- Burner cap (black enamelled)
- 1 High speed burner 2.8 kW
- 1 Standard burner 1.75 kW

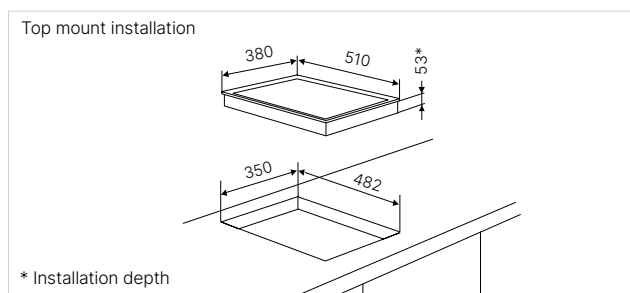
Technical data:

- Gas-Electrical connection 4.6 kW
- Elektro-Electrical connection 0.1 kW
- Appliance dimensions W x D approx. 380 x 510 mm
- Installation depth 53 mm
- Niche dimensions W x D approx. 366 x 480 mm

Cooker hood obligatory due to the high performance.

Available from 12/23

VKG 3850.0 SE black, Black Steel







| Küppersbusch Varioline.

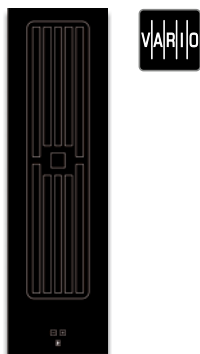


With the Küppersbusch Varioline concept, you can create your own individual cooktop - with gas, induction, wok, individually or in combination. Your personal cooktop is thus combined into a harmonious whole.



Scan the QR code and find out.

VARIOLINE. HOBS. DOWNDRAFT. K-SERIES.8



Frameless



VKM 1820.0

- Base fan
- 4-level power controls "selectControl" with red display
- Extraction rate (to the outside): max. normal power setting 455 m³/h, intensive power setting 551 m³/h
- Noise level: min. 31 dB, max. 66 dB, int. 70 dB
- Digital display
- Stainless steel grease filter with 96,7 % grease deposit
- Automatic delay stop
- Central switch-off control
- Holiday shut-down device (limiting operation duration time)
- Recirculating air mode possible (see optional accessories)
- Ventilation grid incl.
- Profiles for VarioLine included
- Exhaust air system incl.
- When combining the VKM 1820.0 with the VarioLine gas hobs GKS 3820.0 or GWS 3811.0, the special accessory gas deflector ZKM 8053 is required.

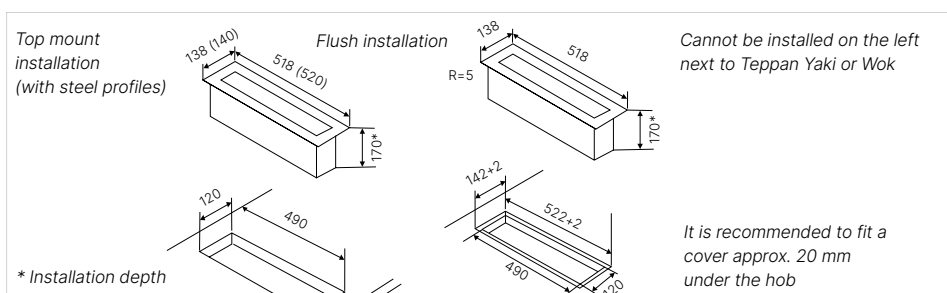
Technical data:

- Electrical connection 0,1 kW ready to plug in (Schuko plug)
- Air connection plinth fan Naber Compair Flow NW 150
- Energy class /-consumption A / 55 kW
- Filter class / filter A / 96,7 % separation rate
- Appliance dimensions W x D approx. 138 x 518 mm

Optional accessories:

- PlasmaMade filter Acc. no. ZD 8001
- Charcoal filter box Acc. no. ZK 8001
- VarioLine metallic joining strip Acc. no. 1130
- Glass cover Acc. no. ZKM 8050
- Wireless window contact system Acc. no. ZK 8002
- Gas deflector Acc. no. ZKM 8053 (for combination with GKS 3820.0 or GWS 3811.0)

VKM 1820.0 SR black, frameless



VARIOLINE. HOBS. INDUCTION. WOK. K-SERIES.8



Frameless,
illustration shows model with fixed stainless steel profile



VKIW 3800.0

- 11-level power controls **"glideControl"** (power booster setting incl.) with red display
- Automatic booster cooking phase
- Minute minder with switch-off feature
- Residual heat indicator
- Central switch-off control
- Holiday shut-down device (limiting operation duration time)
- 1 Wok cooking zone 2,450 W (3,000 W*)
*with power booster setting
- Profiles for VarioLine included

Technical data:

- Electrical connection 3.0 kW
- Appliance dimensions W x D approx. 378 x 518 mm
- Installation depth 110 mm
- Niche dimensions W x D approx. 340 x 490 mm

Optional accessories:

- Stainless steel wok pan Acc. no. 3710 (approx. 5 litres)
- VarioLine metallic joining strip Acc. no. 1130

VARIOLINE. HOBS. TEPPAN YAKI GRIDDLE. K-SERIES.8



Frameless,
illustration shows model with fixed stainless steel profile



VKET 3800.0

- Variable power control **"knobControl"** with red display
- 2 separate, finely adjustable grilling zones
- Hard chromium-plated griddle approx. 8 mm thick, with ceramic glass surround
- Variable power control 70° C - 250° C
- Residual heat indicator
- 'Keep warm' setting approx. 60° C
- Useable Teppan Yaki griddle 300 x 350 mm
- Profiles for VarioLine included

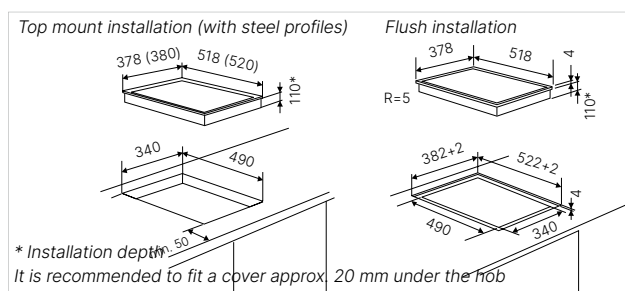
Technical data:

- Electrical connection 2.4 kW
- Appliance dimensions W x D approx. 380 x 520 mm
- Installation depth 82 mm
- Niche dimensions W x D approx. 340 x 490 mm

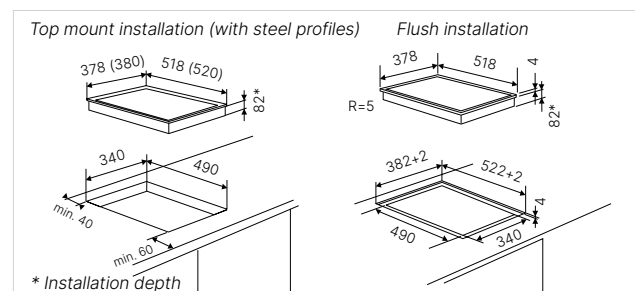
Optional accessories:

- Teppan Yaki Set Acc. no. 1114
- VarioLine metallic joining strip Acc. no. 1130

VKIW 3800.0 SR black, frameless



VKET 3800.0 SR black, frameless



VARIOLINE. HOBS. INDUCTION. K-SERIES.8



Frameless



VKI 3850.0

- 10-level power controls "glideControl+" (power booster setting incl.) with red display
- 7 automatic cooking functions: keeping warm, cooking pasta, poaching, confit, deep frying, roasting, grilling
- Bridge function, front and rear cooking zone can be switched together to one cooking zone
- PowerManagement
- Residual heat indicator
- Minute minder with switchoff feature
- Central switchoff control
- Holiday shutdown device (limiting operation duration time)
- 2 cooking zones 255 x 200 mm / 1.700 W (2.000 W*)
*with power booster setting
- Profiles for VarioLine included

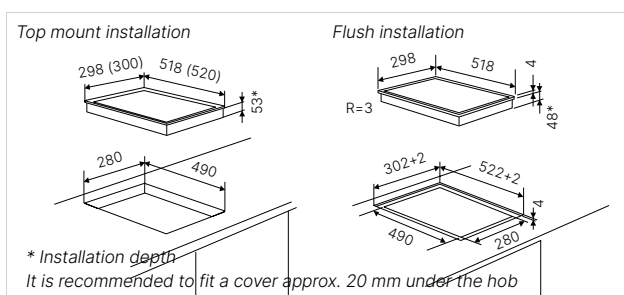
Technical data:

- Electrical connection 3.6 kW (Schuko-plug)
- Appliance dimensions W x D approx. 298 x 518 mm
- Installation depth 53 mm
- Niche dimensions W x D approx. 280 x 490 mm
(for flush installation please refer to the building-in diagrams)

Optional accessories:

- FlexiGrill Acc. no. 1303
- VarioLine metallic joining strip Acc. no. 1130

VKI 3850.0 SR black, frameless



K-SERIES.5



Frameless



VKI 3550.0

- 10-level power controls "glideControl+" (power booster setting incl.) with red display
- 3 automatic cooking functions: melting, keeping warm, cooking pasta
- PowerManagement
- Residual heat indicator
- Minute minder with switchoff feature
- Central switchoff control
- Holiday shutdown device (limiting operation duration time)
- 1 cooking zone Ø 215 mm / 2.100 W (3.000 W*)
- 1 cooking zone Ø 150 mm / 1.200 W (1.600 W*)
*with power booster setting<>
- Profiles for VarioLine included

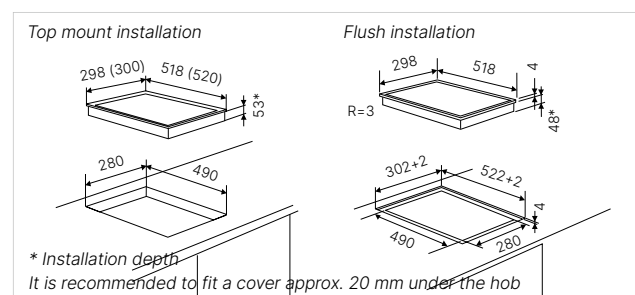
Technical data:

- Electrical connection 3.6 kW (Schuko-plug)
- Appliance dimensions W x D approx. 298 x 518 mm
- Installation depth 53 mm
- Niche dimensions W x D approx. 280 x 490 mm
(for flush installation please refer to the building-in diagrams)

Optional accessories:

- VarioLine metallic joining strip Acc. no. 1130

VKI 3550.0 SR black, frameless



VARIOLINE. HOBS. ELECTRONIC. K-SERIES.3



Frameless,
illustration shows model with fixed stainless steel profile



VKE 3360.0 **NEW**

- 9-level power controls "**glideControl**" with red display
- Automatic booster cooking phase
- Residual heat indicator
- Central switch-off control
- Holiday shut-down device (limiting operation duration time)
- Minute minder for up to 99 minutes with switch-off feature for all cooking zones
- 1 cooking zone 145 mm / 1,200 W
- 1 dual-circuit cooking zone 180 mm or 120 mm / 1,700 or 700 W
- Profiles for VarioLine included

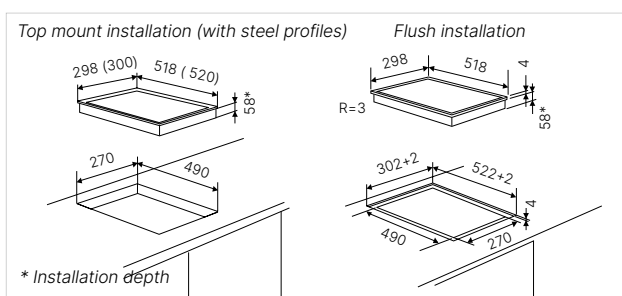
Technical data:

- Electrical connection 2.9 kW
- Appliance dimensions W x D approx. 298 × 518 mm
- Installation depth 48 mm
- Niche dimensions W x D approx. 270 × 490 mm

Optional accessories:

- VarioLine metallic joining strip Acc. no. 1130

VKE 3350.0 SR black, frameless



VARIOLINE. HOBS. GAS.

K-SERIES.8



Stainless steel frame



GKS 3820.0

- Variable power control "**knobControl**"
- Slimline burners
- Full safety device
- Pan supports (cast iron)
- Burner cap (black enamelled)
- 1 high speed burner 3.0 kW
- 1 simmer burner 1.75 kW
- Stainless steel profiles for VarioLine pre-assembled
- VarioLine metallic joining strip see optional accessories

Technical data:

- Gas connection 4.75 kW
- Electrical connection 0.1 kW
- Appliance dimensions W x D approx. 300 x 520 mm
- Installation depth 53 mm
- Niche dimensions W x D approx. 285 x 490 mm

Optional accessories:

- VarioLine metallic joining strip Acc. no. 1130
- Gas deflector Acc. no ZKM 8053 (for combination with VKM 1820.0)

Cooker hood obligatory due to the high performance.

K-SERIES.8



Stainless steel frame



GWS 3811.0

- Variable power control "**knobControl**"
- Slimline burner
- Full safety device
- Pan supports (cast iron)
- Burner cap (black enamelled)
- 1 wok burner 6.0 kW
- Stainless steel profiles for VarioLine pre-assembled
- VarioLine metallic joining strip see optional accessories

Technical data:

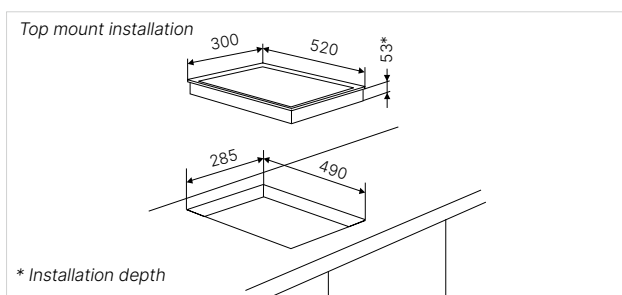
- Gas connection 6.0 kW
- Electrical connection 0.1 kW
- Appliance dimensions W x D approx. 300 x 520 mm
- Installation depth 53 mm
- Niche dimensions W x D approx. 285 x 490 mm

Optional accessories:

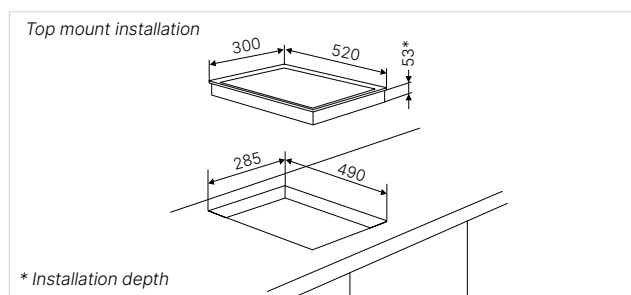
- VarioLine metallic joining strip Acc. no. 1130
- Gas deflector Acc. no ZKM 8053 (for combination with VKM 1820.0)

Cooker hood obligatory due to the high performance.

GKS 3820.0 ED Stainless steel frame



GWS 3811.0 ED Stainless steel frame



| Individual and efficient.

KÜPPERSBUSCH COOKER HOODS

Goodbye cooking odours! Our cooker hoods provide you with a pleasant cooking atmosphere, avoiding greasy soiling and moisture damage. And they look really good.



Küppersbusch



Hob and extractor hood in one: the hob-level extractor

The **induction hob-level extractor** units are both cooking zone and extractor fan in one! As grease and fumes are extracted directly at hob-level, they do not travel through the room, making for a significantly more pleasant climate in your kitchen. The perfect solution for open living kitchens.

Another bonus is that you don't need a separate extractor fan above your cooker, meaning you have more freedom when designing your kitchen. The installation is not only more flexible, but also simpler, because you only need to mount one appliance.

The ventilation system can be discretely hidden inside the base of your unit. This has the advantage that annoying operating sounds are reduced to a minimum.

For more information on Küppersbusch hob-level extractor units, please refer to the chapter on hobs.



Scan the QR code and find out.

Impressively versatile

The perfect model for every kitchen: the Küppersbusch range offers a multitude of styles, designs and functions.

Küppersbusch can offer you the perfect cooker hood for every kitchen and every taste. Whether you have an open plan kitchen or a separate one. At Küppersbusch – with our wall, island, head space, ceiling and module cooker hoods – you are spoiled for choice.

Depending on the design of your kitchen at home, you can choose between an exhaust air and a recirculation model.

The **Küppersbusch Individual Concept** offers you the opportunity to adapt our appliances to your personal preferences. The cooker hoods are no exception: you can match them to the design kit you choose for your oven. Whichever model you go for, each one impresses with its quality design, both individually and in combination with other appliances.



Cooker hoods

COOKER HOODS. DOWNDRAFT. K-SERIES.8



DD 9840.0

- 5 power levels incl. high power setting
- Extraction rate (to the outside): max. normal power setting 430 m³/h, intensive power setting 700 m³/h
- Electronic control with touch control sensors
- LED Display for power levels
- Digital display
- Motor-driven extendable cooker hood
- Rim suction technology with black glass panel
- Automatic delay stop
- Filter saturation indicator
- Metal grease filter
- Recirculation air mode possible (see optional accessories)

Technical data:

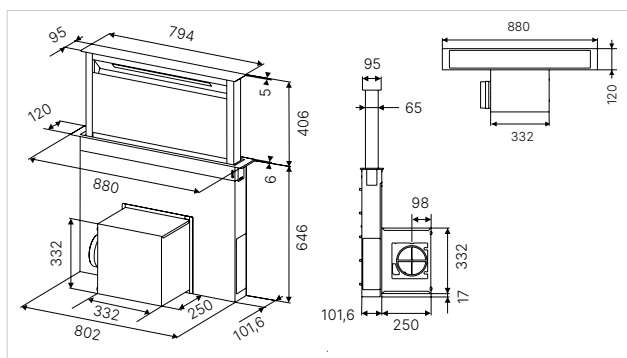
- Electrical connection 277 W
- Appliance dimensions W x H x D approx. 880 × 657-1.063 × 370 mm
- Niche dimensions W x D approx. 812 × 110 mm
- Exhaust air connection Ø 150 mm, position the motor in different directions
- LED light colour 4000 Kelvin

Optional accessories:

- Charcoal filter Acc. no. ZD 1013

DD 9840.0 S

Black glass and stainless steel



COOKER HOODS. CEILING CANOPY HOODS. K-SERIES.8



DDL 9830.0

- 6 power levels incl. high power settings
- Extraction rate (to the outside): max. normal power setting 634 m³/h, intensive power setting 808 m³/h
- Electronic control with remote control
- Remote control with LED power level indicator
- Rim suction technology with glass panel
- Drop down glass panel
- Automatic delay stop
- Filter saturation indicator
- Dimmable LED lighting
- Metal grease filter
- FreshAir function
- Recirculation air mode possible (see optional accessories)

Technical data:

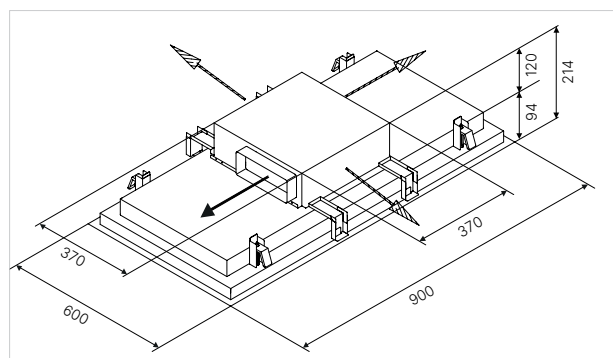
- Electrical connection 227 W
- Appliance dimensions W x H x D approx. 900 × 216 × 600 mm
- Niche dimensions W x D approx. 580 × 880 mm
- Exhaust air connection Ø 150 mm, for installation in 4 directions

Optional accessories:

- Ceramic filter Acc. no. ZD 1015
- Recirculation box Acc. no. ZD 1016 incl. ceramic filter

DDL 9830.0 W

White



COOKER HOODS. ISLAND.

K-SERIES.8



DI 3800.0

- 8 power levels incl. high power settings
- Extraction rate (to the outside): max. normal power setting 525 m³/h, intensive power setting 771 m³/h
- Electronic control with remote control
- Remote control with LED power level indicator
- Automatic delay stop
- Filter saturation indicator
- Metal grease filter
- Wire cable suspension for customized height adjustment
- Front and back panel glass, stainless steel body
- Stainless steel ceiling anchorage
- Recirculation air mode (incl. charcoal filter 2x Acc. no. 881)

Technical data:

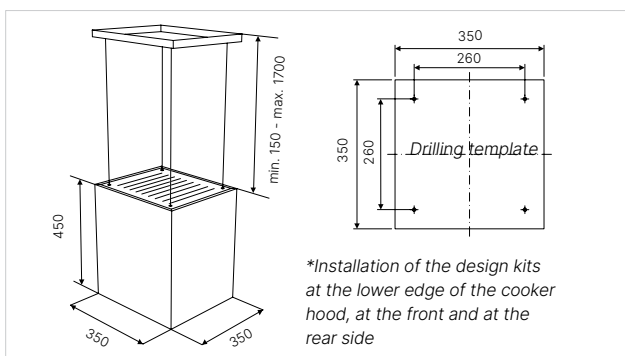
- Electrical connection 286 W
- Appliance dimensions W x H x D approx. 350 x 600-2,150 x 350 mm
- LED light colour 3,500 Kelvin

Optional accessories:

- Replacement charcoal filter (2 pieces necessary) Acc. no. 881
- Design-Kits (2 pieces necessary):
 - Design kit Stainless steel Acc. no. DK 3801
 - Design kit Black Chrome Acc. no. DK 3802
 - Design kit Silver Chrome Acc. no. DK 3803
 - Design kit Gold Acc. no. DK 3804
 - Design kit Black Velvet Acc. no. DK 3805
 - Design kit Copper Acc. no. DK 3807

DI 3800.0 S DI 3800.0 W

Black glass, stainless steel body
White glass, stainless steel body



K-SERIES.3



DI 9340.0

- 4 power levels incl. high power setting
- Extraction rate (to the outside): max. normal power setting 580 m³/h, intensive power setting 700 m³/h
- Electronic control with illuminated push buttons
- Metal grease filter
- Adjustable to ceiling height due to telescopic chimney section
- Recirculation air mode possible (see optional accessories)

Technical data:

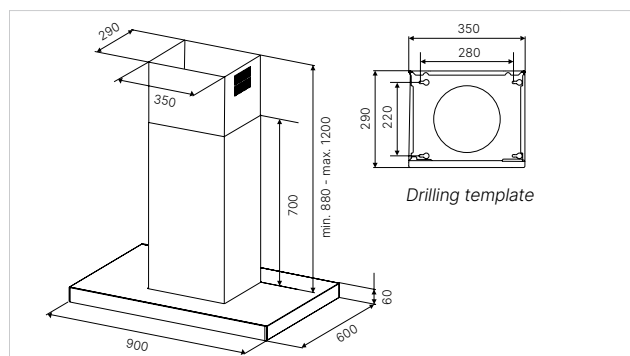
- Electrical connection 274 W
- Appliance dimensions W x H x D approx. 900 x 940-1,260 x 600 mm
- Exhaust air connection Ø 150 mm
- LED light colour 3,000 Kelvin

Optional accessories:

- Charcoal filter Acc. no. 870
- PlasmaMade filter Acc. no. ZD 8000

DI 9340.0 E

Stainless steel



COOKER HOODS. CHIMNEY. HEADROOM CONCEPT.

K-SERIES.8

K-SERIES.5

Picture with
Design-Kit
Acc. no. 9881



DW 9880.0

- 4 power levels incl. high power setting
- Extraction rate (to the outside): max. normal power setting 625 m³/h, intensive power setting 920 m³/h
- Electronic control with touch control sensors
- Digital display
- Rim suction technology
- FreshAir function
- Automatic delay stop
- Filter saturation indicator
- Swing-out glass panel
- Metal grease filter
- Adjustable to ceiling height due to telescopic chimney section
- Recirculation air mode possible (see optional accessories)

Technical data:

- Electrical connection 172 W
- Appliance dimensions W x H x D approx. 900 x 1.001-1.331 x 450 mm
- Exhaust air connection Ø 150 mm
- LED light colour 4,000 - 4,500 Kelvin

Optional accessories:

- PlasmaMade filter Acc. no. ZD 8000
- Charcoal filter Acc. no. ZD 1000
- Design-Kit:
 - Design Stainless Steel Acc. no. DK 9881
 - Design Black Chrome Acc. no. DK 9882
 - Design Silver Chrome Acc. no. DK 9883
 - Design Gold Acc. no. DK 9884
 - Design Black Velvet Acc. no. DK 9885
 - Design Copper Acc. no. DK 9887



DW 8550.0 MattBlack NEW

- 4 power levels incl. Intensive power level
- Extraction rate (to the outside): max. normal power setting 411 m³/h, intensive power setting 726 m³/h
- Electronic control with touch control sensors
- Digital display
- Rim suction technology
- FreshAir function
- Automatic delay stop
- Filter saturation indicator
- Drop down glass panel
- Metal grease filter
- Recirculation mode possible (see optional accessories)

Technical data:

- Electrical connection 284 W
- Appliance dimensions W x H x D approx. (without chimney) 800 x 1.001-1.331 x 450 mm
- Exhaust air connection Ø 150 mm
- LED light colour 4,000 - 4,500 Kelvin

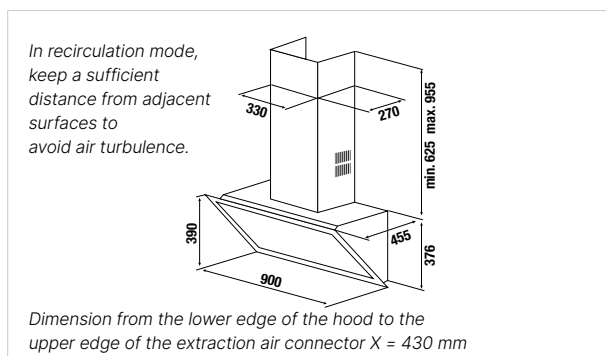
Optional accessories:

- PlasmaMade filter Acc. no. ZD 8000
- Charcoal filter Acc. no. ZD 1018

Available from 11/23

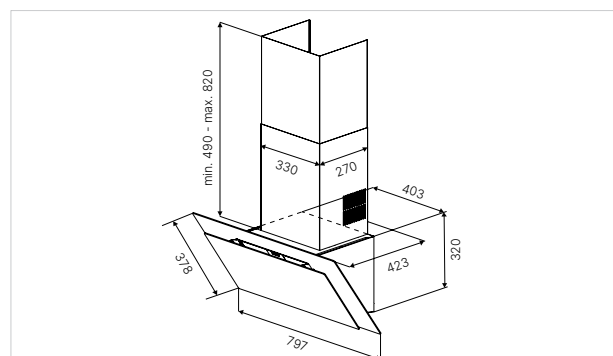
DW 9880.0 S

Black glas



DW 8550.0 KSM

BlackMatt



COOKER HOODS. CHIMNEY. HEADROOM CONCEPT. K-SERIES.5



DW 8540.0

- 4 power levels incl. Intensive power level
- Extraction rate (to the outside): max. normal power setting 400 m³/h, intensive power setting 570 m³/h
- Electronic control with touch control sensors
- Digital display
- Rim suction technology with black glass panel
- Automatic delay stop
- Filter saturation indicator
- Metal grease filter
- Recirculation mode possible (see optional accessories)

Technical data:

- Electrical connection 127 W
- Appliance dimensions W x H x D approx. (without chimney) 800 x 450 x 225 mm
- Exhaust air connection Ø 150 mm
- LED light colour 4,000 Kelvin

Optional accessories:

- Charcoal filter Acc. no. ZD 1012

K-SERIES.5



DW 8500.1 NEW

- 4 Power levels incl. high power setting
- Extraction rate (to the outside): max. normal power setting 620 m³/h, Intensive power setting 770 m³/h
- Electronic control with touch control sensors
- Digital display
- Rim suction
- Automatic delay stop
- Swing-out glass panel
- Metal grease filter
- Adjustable to ceiling height due to telescopic chimney section
- Recirculation mode possible (see optional accessories)

Technical data:

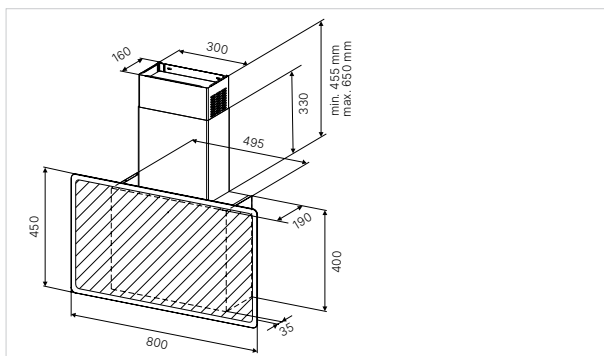
- Electrical connection 252 W
- Appliance dimensions W x H x D approx. 798 x 832-1,032 x 378 mm
- Exhaust air connection Ø 150 mm
- LED Light colour 3.000 Kelvin

Optional accessories:

- Charcoal filter Acc. no. 603

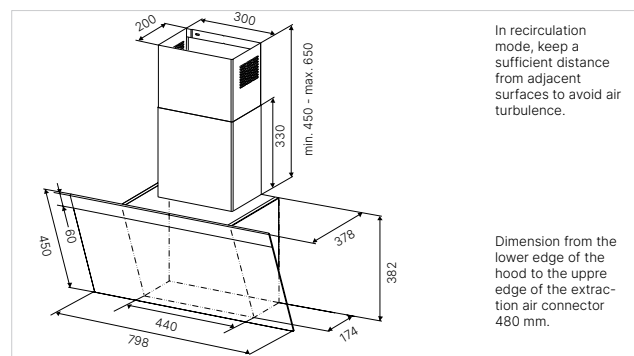
DW 8540.0 S

Black



DW 8500.1 S

Stainless steel and Black glass



In recirculation mode, keep a sufficient distance from adjacent surfaces to avoid air turbulence.

Dimension from the lower edge of the hood to the upper edge of the extraction air connector 480 mm.

COOKER HOODS. CHIMNEY. K-SERIES.5



Picture with
Design-Kit
Acc. no. 9011



DW 9500.0

- 4 power levels incl. high power setting
- Extraction rate (to the outside): max. normal power setting 650 m³/h, intensive power setting 764 m³/h
- Electronic control with touch control sensors
- Digital display
- Automatic delay stop
- Filter saturation indicator
- Metal grease filter
- Adjustable to ceiling height due to telescopic chimney section
- Recirculation air mode possible (see optional accessories)

Technical data:

- Electrical connection 172 W
- Appliance dimensions W x H x D approx. 900 × 670-1000 × 480 mm
- Exhaust air connection Ø 150 mm
- LED light colour 4,000 - 4,500 Kelvin

Optional accessories:

- Charcoal filter Acc. no. ZD 1001
- PlasmaMade filter Acc. no. ZD 8000
- Design-Kit:
 - Design Stainless steel Acc. no. DK 9011
 - Design Black Chrome Acc. no. DK 9012
 - Design Silver Chrome Acc. no. DK 9013
 - Design Gold Acc. no. DK 9014
 - Design Copper Acc. no. DK 9017

K-SERIES.3



DW 9350.0

- 4 power levels incl. high power setting
- Extraction rate (to the outside): max. normal power setting 586 m³/h, intensive power setting 740 m³/h
- Electronic control with high-quality aluminum knobs
- Digital display
- Automatic delay stop
- Metal grease filter
- Adjustable to ceiling height due to telescopic chimney section
- Recirculation air mode possible (see optional accessories)

Technical data:

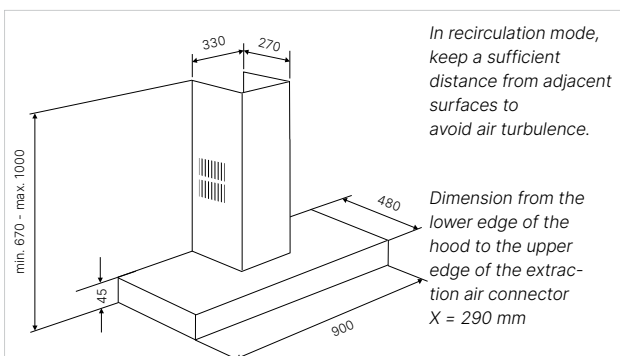
- Electrical connection 280 W
- Appliance dimensions W x H x D approx. 900 × 670-1000 × 480 mm
- Exhaust air connection Ø 150 mm
- LED light colour 4,000 - 4,500 Kelvin

Optional accessories:

- Charcoal filter Acc. no. ZD 1001
- PlasmaMade filter Acc. no. ZD 8000

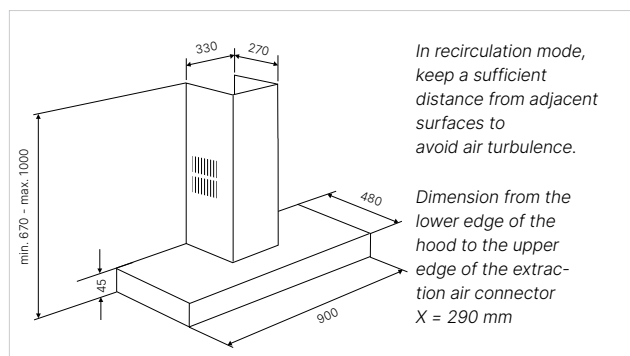
DW 9500.0 S

Black



DW 9350.0 E

Stainless steel



COOKER HOODS. CHIMNEY. K-SERIES.3



DW 9340.1

- 4 power levels incl. high power setting
- Extraction rate (to the outside): max. normal power setting 600 m³/h, intensive power setting 750 m³/h
- Electronic control with illuminated push buttons
- Metal grease filter
- Adjustable to ceiling height due to telescopic chimney section
- Recirculation air mode possible (see optional accessories)

Technical data:

- Electrical connection 272 W
- Appliance dimensions W x H x D approx. 900 x 730-1,000 x 460 mm
- Exhaust air connection Ø 150 mm
- LED light colour 3,000 Kelvin

Optional accessories:

- Charcoal filter Acc. no. 870
- PlasmaMade filter Acc. no. ZD 8000

K-SERIES.3



DW 6340.1

- 4 power levels incl. high power setting
- Extraction rate (to the outside): max. normal power setting 600 m³/h, intensive power setting 750 m³/h
- Electronic control with illuminated push buttons
- Metal grease filter
- Adjustable to ceiling height due to telescopic chimney section
- Recirculation air mode possible (see optional accessories)

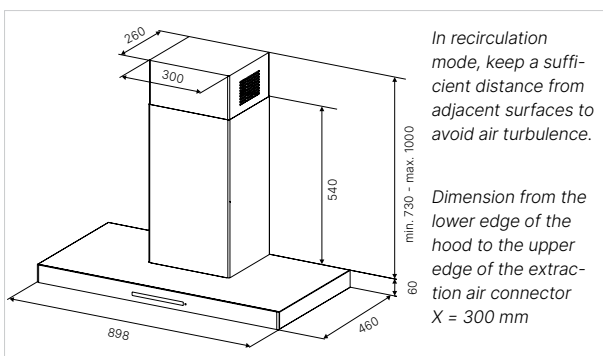
Technical data:

- Electrical connection 272 W
- Appliance dimensions W x H x D approx. 600 x 730-1,000 x 460 mm
- Exhaust air connection Ø 150 mm
- LED light colour 3,000 Kelvin

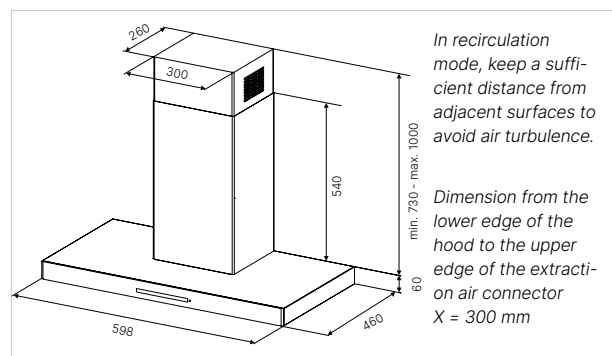
Optional accessories:

- Charcoal filter Acc. no. 870
- PlasmaMade filter Acc. no. ZD 8000

DW 9340.1 E Stainless steel



DW 6340.1 E Stainless steel



COOKER HOODS. BUILT-IN. SLIMLINE.

K-SERIES.8

K-SERIES.8



DEF 9800.0

- 6 power levels incl. high power setting
- Extraction rate (to the outside): max. normal power setting 498 m³/h, intensive power setting 706 m³/h
- Telescopic canopy
- Electronic control with push buttons
- LED Display for power levels
- Operated from the right side
- Filter saturation indicator
- Automatic delay stop
- Metal grease filter
- Extendable glass panel to enlarge the catchment area
- Recirculation air mode possible (see optional accessories)
- Front grip panel, stainless steel (changeable)

Technical data:

- Electrical connection 272 W
- Appliance dimensions W x H x D approx. 900 x 310 x 300-490 mm
- Exhaust air connection Ø 150 mm
- LED light colour 4,000 - 4,500 Kelvin

Optional accessories:

- Charcoal filter Acc. no. ZD 1006 (2 pieces necessary)

DEF 6800.0

- 6 power levels incl. high power setting
- Extraction rate (to the outside): max. normal power setting 498 m³/h, intensive power setting 706 m³/h
- Telescopic canopy
- Electronic control with push buttons
- LED Display for power levels
- Operated from the right side
- Filter saturation indicator
- Automatic delay stop
- Metal grease filter
- Extendable glass panel to enlarge the catchment area
- Recirculation air mode possible (see optional accessories)
- Front grip panel, stainless steel (changeable)

Technical data:

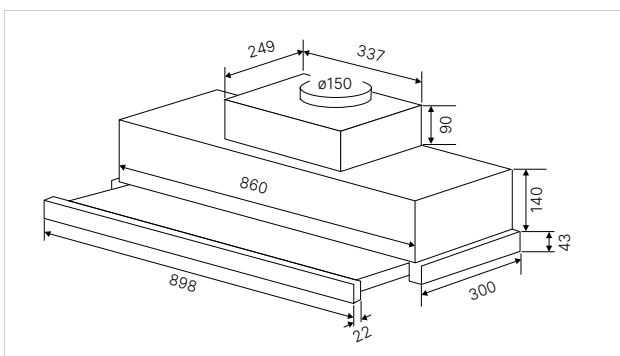
- Electrical connection 272 W
- Appliance dimensions W x H x D approx. 600 x 310 x 300-490 mm
- Exhaust air connection Ø 150 mm
- LED light colour 4,000 - 4,500 Kelvin

Optional accessories:

- Charcoal filter Acc. no. ZD 1006 (2 pieces necessary)

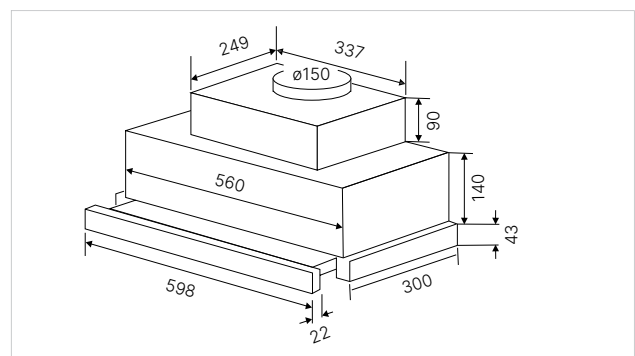
DEF 9800.0 E

Stainless steel



DEF 6800.0 E

Stainless steel



COOKER HOODS. BUILT-IN. SLIMLINE.

K-SERIES.5

K-SERIES.5



DEF 9550.0

- 4 power levels incl. Intensive power level
- Extraction rate (to the outside): max. normal power setting 537 m³/h, intensive power setting 647 m³/h
- Telescopic canopy
- Electronic control with push buttons
- LED Display for power levels
- Operated from the side
- Metal grease filter
- Filter saturation indicator
- Automatic delay stop
- Extendable panel to enlarge the catchment area
- Recirculation mode possible (see optional accessories)
- Standard stainless steel panel (exchangeable)

Technical data:

- Electrical connection 273 W
- Appliance dimensions W x H x D approx. 898 x 396 x 300 - 455 mm
- Niche dimensions W x H x D approx. 900 x 450 x 300 mm
- Exhaust air connection Ø 150 mm
- LED light colour 2,700 Kelvin

Optional accessories:

- Charcoal filter Acc. no. ZD 1011

DEF 6550.0

- 4 power levels incl. Intensive power level
- Extraction rate (to the outside): max. normal power setting 537 m³/h, intensive power setting 647 m³/h
- Telescopic canopy
- Electronic control with push buttons
- LED Display for power levels
- Operated from the side
- Automatic delay stop
- Filter saturation indicator
- Metal grease filter
- Extendable panel to enlarge the catchment area
- Recirculation mode possible (see optional accessories)
- Standard stainless steel panel (exchangeable)

Technical data:

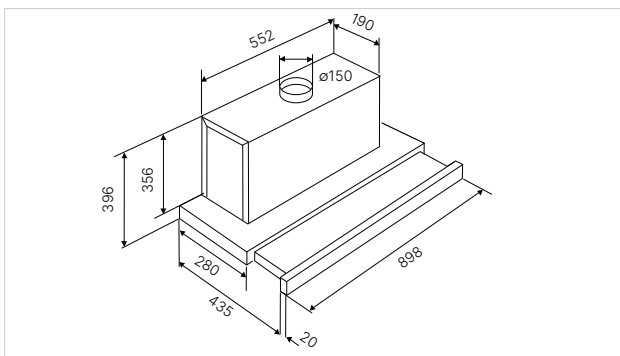
- Electrical connection 272 W
- Appliance dimensions W x H x D approx. 598 x 396 x 300 - 455 mm
- Niche dimensions W x H x D approx. 600 x 450 x 300 mm
- Exhaust air connection Ø 150 mm
- LED light colour 2,700 Kelvin

Optional accessories:

- Charcoal filter Acc. no. ZD 1011

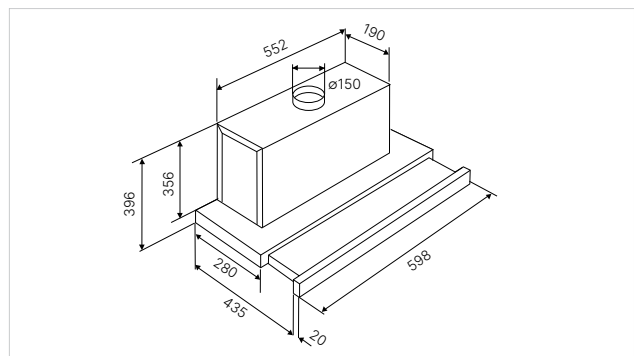
DEF 9550.0 E

Stainless steel



DEF 6550.0 E

Stainless steel



COOKER HOODS. BUILT-IN. SLIMLINE. K-SERIES.3



DEF 6300.0

- 3 power levels
- Extraction rate (to the outside): max. normal power setting 385 m³/h
- Telescopic canopy
- Electronic control with push buttons
- LED Display for power levels
- Operated from the side
- Metal grease filter
- Extendable panel to enlarge the catchment area
- Recirculation air mode possible (see optional accessories)
- Front grip panel, stainless steel (changeable)

Technical data:

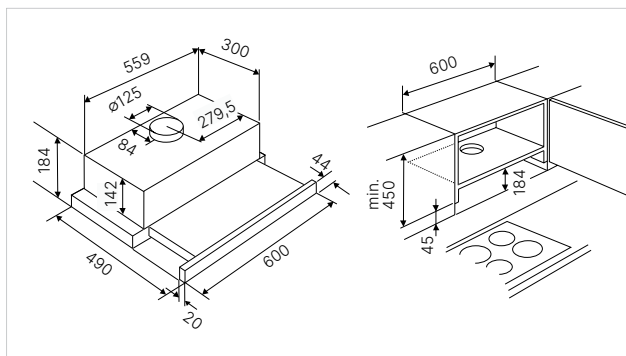
- Electrical connection 113 W
- Appliance dimensions W x H x D approx. 600 x 184 x 300-490 mm
- Niche dimensions W x H x D approx. 600 x 450 x 300 mm
- Exhaust air connection Ø 125 mm
- LED light colour 4,000-4,500 Kelvin

Optional accessories:

- Charcoal filter Acc. no. ZD 1006 (2 pieces necessary)

DEF 6300.0 E

Stainless steel



COOKER HOODE. BUILT-IN. CANOPY HOODS. K-SERIES.5



DEL 9550.0 NEW

- 4 Power levels incl. high power setting
- Extraction rate (to the outside): max. normal power setting 425 m³/h, Intensive power setting 760 m³/h
- Electronic control with touch control sensors
- Rim suction
- FreshAir Funktion
- Automatic delay stop
- Metal grease filter
- Recirculation mode possible (see optional accessories)

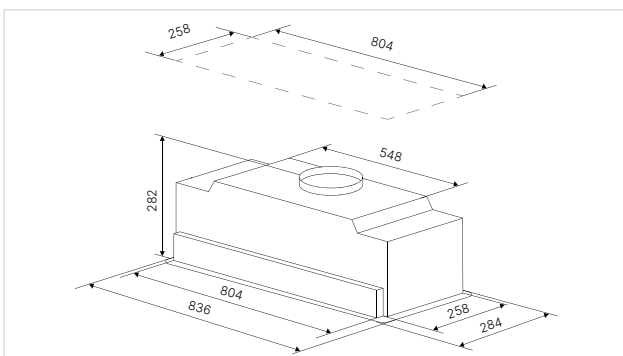
Technical data:

- Electrical connection 286 W
- Appliance dimensions W x H x D approx. 836 x 282 x 284 mm
- Niche dimensions W x D approx. 802 x 260 mm
- Exhaust air connection Ø 150 mm
- LED Light colour 4,000 - 4,500 Kelvin

Optional accessories:

- Charcoal filter Acc. no. 881
(2 pieces necessary)

DEL 9550.0 E Stainless steel



COOKER HOODE. BUILT-IN. CANOPY HOODS.

K-SERIES.5



DEL 8550.0 NEW

- 4 Power levels incl. high power setting
- Extraction rate (to the outside): max. normal power setting 425 m³/h, Intensive power setting 760 m³/h
- Electronic control with touch control sensors
- Rim suction
- FreshAir Funktion
- Automatic delay stop
- Metal grease filter
- Recirculation mode possible (see optional accessories)

Technical data:

- Electrical connection 286 W
- Appliance dimensions W x H x D approx. 712 x 282 x 284 mm
- Niche dimensions W x D approx. 678 x 260 mm
- Exhaust air connection Ø 150 mm
- LED Light colour 4,000 - 4,500 Kelvin

Optional accessories:

- Charcoal filter Acc. no. 881 (2 pieces necessary)



DEL 8550.0 NEW

- 4 Power levels incl. high power setting
- Extraction rate (to the outside): max. normal power setting 425 m³/h, Intensive power setting 760 m³/h
- Electronic control with touch control sensors
- Rim suction
- FreshAir Funktion
- Automatic delay stop
- Metal grease filter
- Recirculation mode possible (see optional accessories)

Technical data:

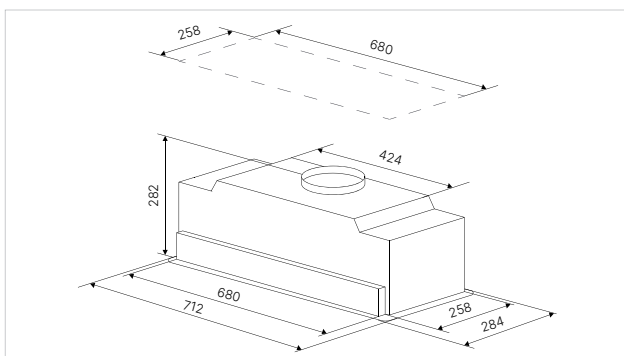
- Electrical connection 286 W
- Appliance dimensions W x H x D approx. 712 x 282 x 284 mm
- Niche dimensions W x D approx. 678 x 260 mm
- Exhaust air connection Ø 150 mm
- LED Light colour 4,000 - 4,500 Kelvin

Optional accessories:

- Charcoal filter Acc. no. 881 (2 pieces necessary)

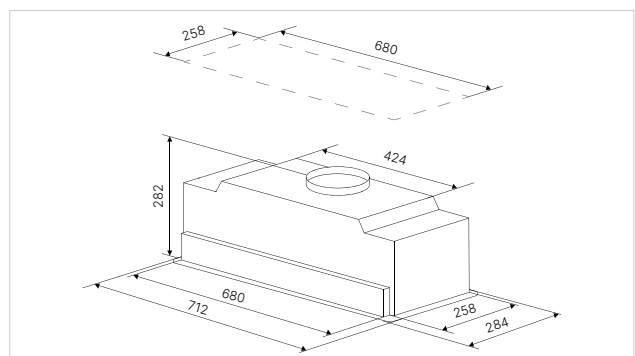
DEL 8550.0 E

Stainless steel



DEL 8550.0 W

Stainless steel and white Glas



COOKER HOODE. BUILT-IN. CANOPY HOODS.

K-SERIES.5



DEL 6550.0 NEW

- 4 Power levels incl. high power setting
- Extraction rate (to the outside): max. normal power setting 425 m³/h, Intensive power setting 760 m³/h
- Electronic control with touch control sensors
- Rim suction
- FreshAir Funktion
- Automatic delay stop
- Metal grease filter
- Recirculation mode possible (see optional accessories)

Technical data:

- Electrical connection 286 W
- Appliance dimensions W x H x D approx. 532 x 282 x 284 mm
- Niche dimensions W x D approx. 498 x 260 mm
- Exhaust air connection Ø 150 mm
- LED Light colour 4,000 - 4,500 Kelvin

Optional accessories:

- Charcoal filter Acc. no. 881 (2 pieces necessary)



DEL 6550.0 NEW

- 4 Power levels incl. high power setting
- Extraction rate (to the outside): max. normal power setting 425 m³/h, Intensive power setting 760 m³/h
- Electronic control with touch control sensors
- Rim suction
- FreshAir Funktion
- Automatic delay stop
- Metal grease filter
- Recirculation mode possible (see optional accessories)

Technical data:

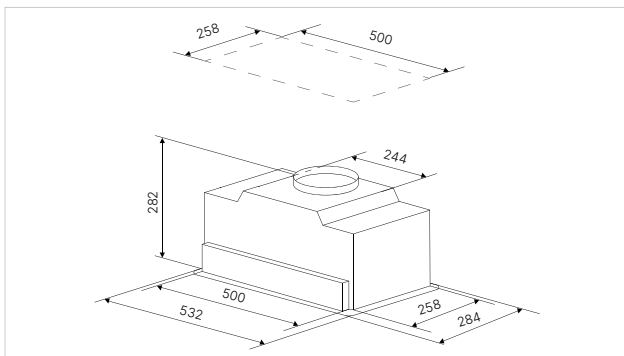
- Electrical connection 286 W
- Appliance dimensions W x H x D approx. 532 x 282 x 284 mm
- Niche dimensions W x D approx. 498 x 260 mm
- Exhaust air connection Ø 150 mm
- LED Light colour 4,000 - 4,500 Kelvin

Optional accessories:

- Charcoal filter Acc. no. 881 (2 pieces necessary)

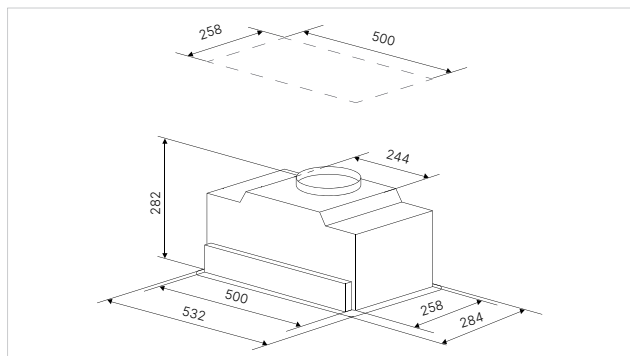
DEL 6550.0 E

Stainless steel



DEL 6550.0 W

Stainless steel and white Glas



COOKER HOODS. BUILT-IN. CANOPY HOODS. K-SERIES.1



DEL 5100.0

- 3 power levels
- Extraction rate (to the outside): max. normal power setting 303 m³/h
- Control with push button
- Metal grease filter
- Recirculation air mode possible (see optional accessories)

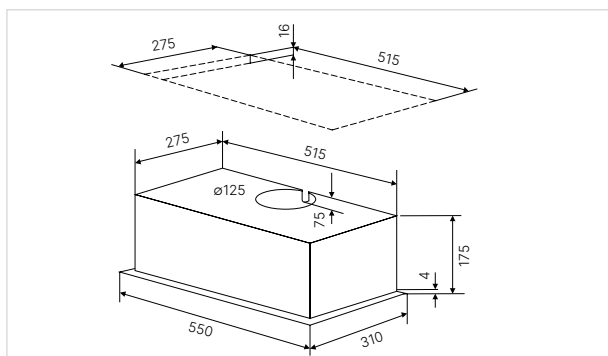
Technical data:

- Electrical connection 180 W
- Appliance dimensions W x H x D approx. 550 × 179 × 310 mm
- Niche dimensions W x D approx. 515 × 275 mm
- Exhaust air connection Ø 125 mm
- LED light colour 4,000-4,500 Kelvin

Optional accessories:

- Charcoal filter Acc. no. ZD 1006 (2 pieces necessary)

DEL 5100.0 S Black glass





Cooker hoods

| Individual and cool.

KÜPPERSBUSCH FRESH DEVICES

Our wide range of refrigerators blends harmoniously into any kitchen landscape, ensuring that a supply of the freshest ingredients is always on hand. All refrigerators and freezers, as well as the wine cabinets, impress with their outstanding performance, quality and temperature accuracy for professional cooling performance.





Innovative interior designs.

Top Interior Design: The interior design of Küppersbusch cooling appliances appears at its best: the drawers are made of high-grade plastic with chrome railings, combined with chrome trims. The safety-glass shelves in the inner compartment have a chrome trim at the front. In addition, the LED lighting provides outstanding energy-saving illumination (depending on model).

Space-saving bottle storage: Thanks to the chrome-plated bottle shelves, drinks bottles can be stored in the refrigerator to save space.

Electronic temperature control: Thanks to electronic control, the selected temperature in the refrigerator or freezer is maintained exactly. The digital temperature display is clearly arranged and easy to operate.

BlueLight: To keep vegetables fresh for a long time, the blue Active Blue Light ensures that fruit and vegetables continue photosynthesis. This keeps tomatoes, for example, juicier and full of vitamins.

FRESH. FRIDGE-FREEZERS. K-SERIES.8



FKG 6875.1 **** NEW

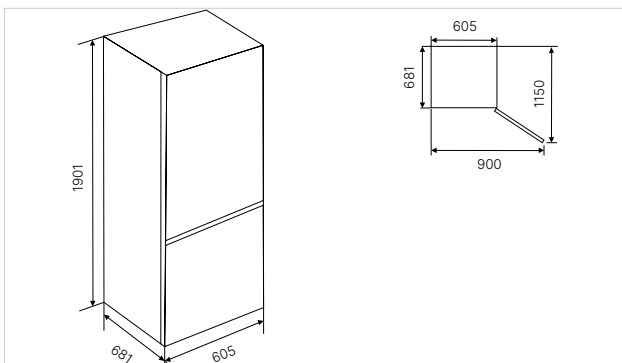
- Retro-Design
- Electronic temperature control with touch control sensors
- DefrostMode
- FastFreezing
- Acoustic alarm
- VarioShelves
- FreshBox
- Transparent freezer drawers
- Useable capacity 330 litres, of which
 - Cooling section 230 litres
 - Freezer section 100 litres
- **Including handles**

Technical data:

- Energy consumption per year 200 kW/h
- Freezing capacity 8 kg/24 h
- Storage time in the event of power failure 10 h
- Appliance dimensions W x H x D approx. 605 x 1,901 x 68 mm
- Noise level 37 dB

FKG 6875.1 S

Design Retro mattblack



K-SERIES.8



FKG 9860.1 **** NEW

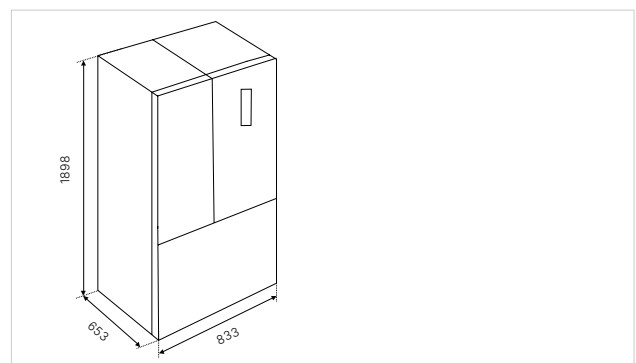
- French door Fridge-freezer
- Electronic temperature control with touch control sensors
- DefrostMode
- FastCooling / FastFreezing with automatic shut off
- Acoustic alarm
- VarioShelves / VarioBoxes
- FreshBox
- Metal Cooling
- French Door - Freezer drawers can be pulled out
- Useable capacity 516 litres, of which
 - Cooling section 347 litres
 - Freezer section 169 litres
- **Integrated handles**

Technical data:

- Energy consumption per year 306 kW/h
- Freezing capacity 12 kg/24 h
- Storage time in the event of power failure 15 h
- Appliance dimensions W x H x D approx. 833 x 1,898 x 653 mm
- Noise level 35 dB

FKG 9860.1 S

Design Black



FRESH. FRIDGE-FREEZERS. K-SERIES.8



FKG 9850.0 **** NEW

- Side-by-Side Fridge-freezer
- Electronic temperature control with touch control sensors
- Electronic temperature display
- DefrostMode
- Holiday Function
- FastFreezing with automatic shut off
- Acoustic alarm
- VarioShelves / VarioBoxes
- Twister IceMaker
- FreshBox
- MetalCooling
- Transparent freezer drawers
- Useable capacity 522 litres, of which
 - cooling section 343 litres
 - freezer section 97 litres
 - Variable cooling/ freezer section 82 Litres

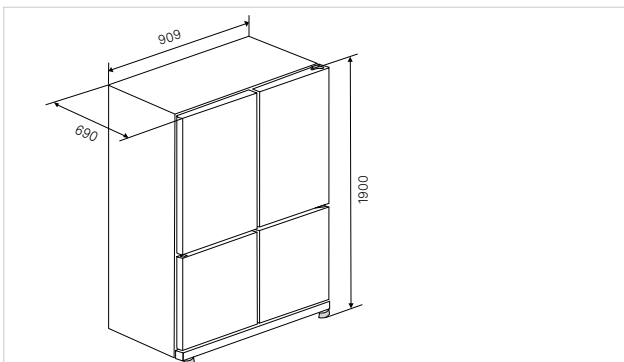
- Integrated handles

Technical data:

- Energy consumption per year 319 kW/h
- Freezing capacity 15 kg/24h
- Storage time in the event of power failure 16 h
- Appliance dimensions W x H x D approx. 909 x 1,900 x 690 mm
- Noise level 39 dB

FKG 9850.0 E

Design Stainless steel look



K-SERIES.8



FKG 9803.0 ****

- Side-by-Side Fridge-freezer
- Electronic temperature control with touch control sensors
- Electronic temperature display
- DefrostMode
- Holiday Function
- FastCooling / FastFreezing with automatic shut off
- Electr. refreshment centre - ice cubes, crushed ice, iced water
- Bar compartment
- Acoustic alarm
- VarioShelves / VarioBoxes
- FreshBox
- Transparent freezer drawers
- Useable capacity 516 litres, of which
 - cooling section 334 litres
 - freezer section 182 litres
- External water filter with exchange indicator
- Water connection hose

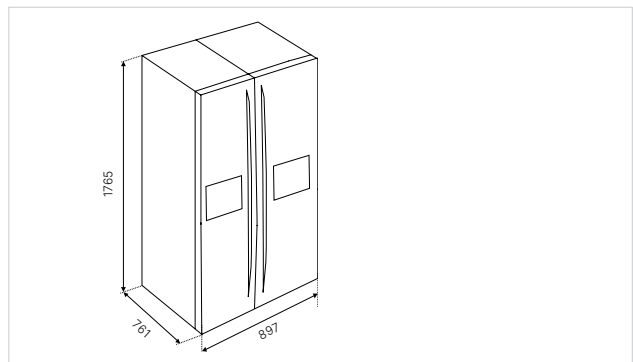
- Including handles

Technical data:

- Energy consumption per year 318 kW/h
- Freezing capacity 14 kg/24 h
- Storage time in the event of power failure 6 h
- Appliance dimensions WxH xD approx. 897 x 1,765 x 761 mm
- Noise level 41 dB

FKG 9803.0 E

Design Stainless steel look



FRESH. FRIDGE-FREEZERS.

K-SERIES.8



FKG 9801.0 **** NEW

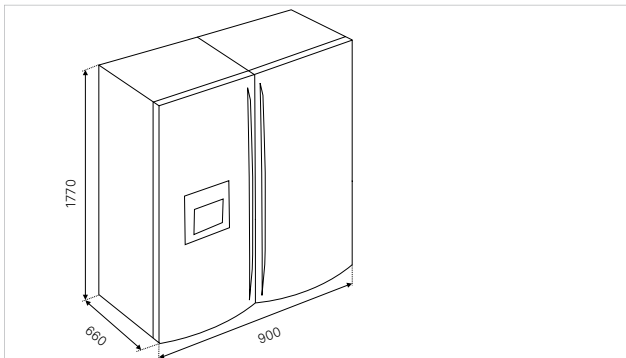
- Side-by-Side Fridge-freezer
- Electronic temperature control with touch control sensors
- DefrostMode
- Fast Cooling / FastFreezing with automatic shut off
- Electronic refreshment centre: ice cubes, crushed ice, iced water
- Acoustic alarm
- VarioShelves / VarioBoxes
- FreshBox
- MetalCooling
- Transparent freezer drawers
- Useable capacity 513 litres, of which
 - Cooling section 344 litres
 - Freezer section 169 litres
- Internal water filter with exchange indicator
- Water connection hose
- **Including handles**

Technical data:

- Energy consumption per year 306 kW/h
- Freezing capacity 12 kg/24h
- Storage time in the event of power failure 7 h
- Appliance dimensions W x H x D approx. 900 x 1,770 x 660 mm
- Noise level 39 dB

FKG 9801.0 E

Design Stainless steel look



K-SERIES.5



FKG 7500.1 **** NEW

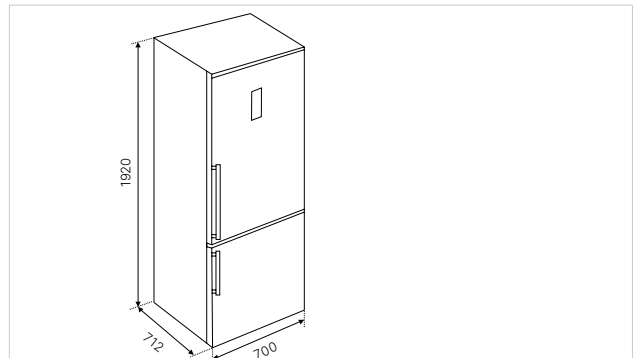
- Electronic temperature control with touch control sensors
- DefrostMode
- Holiday Function
- Fast Cooling / FastFreezing with automatic shut off
- Acoustic alarm
- VarioShelves / VarioBoxes
- FreshBox
- Transparent freezer drawers
- Useable capacity 481 litres, of which
 - Cooling section 344 litres
 - Freezer section 137 litres
- **Including handles**

Technical data:

- Energy consumption per year 230 kW/h
- Freezing capacity 8 kg/24h
- Storage time in the event of power failure 14 h
- Appliance dimensions W x H x D approx. 700 x 1,920 x 712 mm
- Noise level 41 dB

FKG 7500.1 E

Design Stainless steel look



FRESH. FRIDGE-FREEZERS. K-SERIES.8



FKG 6800.0 **** NEW

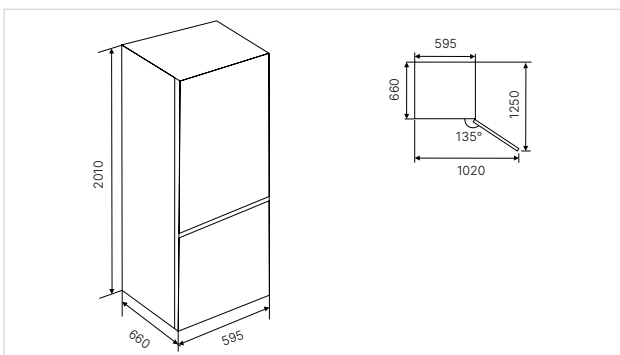
- Electronic temperature control with touch control sensors
- Electronic temperature display
- DefrostMode
- Holiday Function
- FastCooling / FastFreezing with automatic shut off
- Acoustic alarm
- VarioShelves / VarioBoxes
- Transparent freezer drawers
- Useable capacity 378 litres, of which
 - cooling section 216 litres
 - ChillerZone (0°C) 40 litres
 - freezer section 122 litres

- Integrated handles

Technical data:

- Energy consumption per year 177 kW/h
- Freezing capacity 7,5 kg/24 h
- Storage time in the event of power failure 15 h
- Appliance dimensions W x H x D approx. 595 x 2.010 x 660 mm
- Noise level 38 dB

FKG 6800.0 E Stainless steel front, side panels painted



K-SERIES.5



FKG 6580.0 **** NEW

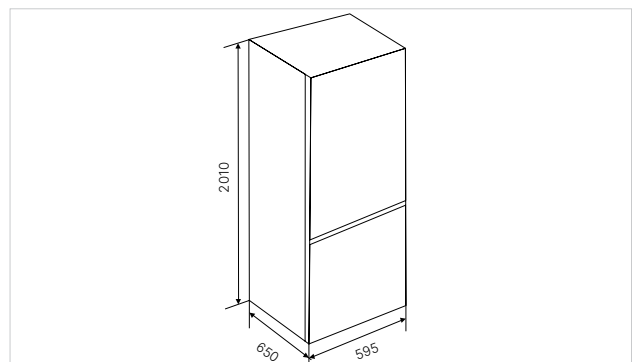
- Electronic temperature control with touch control sensors
- Electronic temperature display
- DefrostMode
- Holiday Function
- Fast Cooling / FastFreezing with automatic shut off
- Acoustic alarm
- VarioShelves / VarioBoxes
- FreshBox
- Transparent freezer drawers
- Useable capacity 360 litres, of which
 - Cooling section 266 litres
 - Freezer section 94 litres

- Integrated handles

Technical data:

- Energy consumption per year 200 kW/h
- Freezing capacity 8 kg/24 h
- Storage time in the event of power failure 10 h
- Appliance dimensions W x H x D approx. 595 x 2,010 x 650 mm
- Noise level 37 dB

FKG 6580.0 E Stainless steel front, side panels painted



FRESH. FRIDGE-FREEZERS. K-SERIES.5



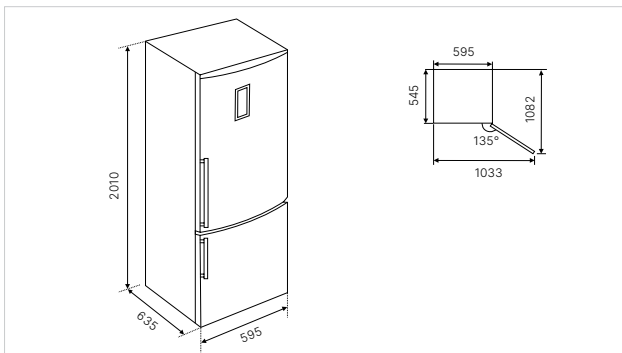
FKG 6500.0 ****

- Electronic temperature control with touch control sensors
- DefrostMode
- FastCooling with automatic shut off
- VarioShelves / VarioBoxes
- Transparent freezer drawers
- Useable capacity 330 litres, of which
 - cooling section 247 litres
 - freezer section 83 litres
- **Including handles**

Technical data:

- Energy consumption/year 231 kW/h
- Freezing capacity 4 kg/24 h
- Storage time in the event of power failure 9 h
- Appliance dimensions W x H x D approx. 595 x 2.010 x 635 mm
- Noise level 43 dB

FKG 6500.0 E Design Stainless steel





FRESH. WINE COOLERS. BUILT-IN. K-SERIES.8



Picture shows cooler with handle Stainless steel



FWK 4800.0

- Electronic temperature control with push buttons
- Electronic temperature display
- Capacity for 79 bottles (Bordeaux bottles 0,75 l)
- 8 wooden pull-out shelves, removeable
- 1 45°-wooden shelf for presentation
- Black glass door with UV-protection
- 2 temperature zones (with partition), adjustable from 5°C - 18°C
- LED lighting (per temperature zone 2 LED's à 0,2 W)
- Dynamic air circulation cooling system
- Acoustic alarm
- Reversible door hinges
- Including water container for additional humidity
- Door opening angle limitation 90° possible
- Excluding handle (see optional accessories)

Technical data:

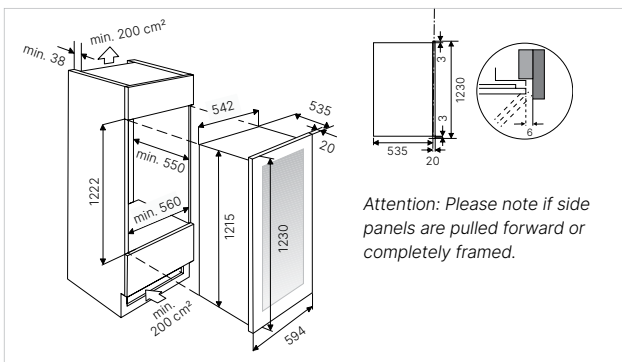
- Energy consumption/year 170 kWh
- Appliance dimensions (excluding handle) WxHxD approx. 594 × 1230 × 555 mm
- Niche dimensions WxHxD approx. 60 × 1222 × 550 mm
- Noise level 39 dB

Accessories handles:

- Design stainless steel Acc. no. DK 8801
- Design Black Chrome Acc. no. DK 8802
- Design Silver Chrome Acc. no. DK 8803
- Design Gold Acc. no. DK 8804
- Design Black Velvet Acc. no. DK 8805
- Design Copper Acc. no. DK 8807

FWK 4800.0 S

Design black glass



FRESH. WINE COOLERS. BUILT-UNDER. K-SERIES.8



Picture shows cooler with handle Stainless steel



FWK 2800.0

- Electronic temperature control with push buttons
- Electronic temperature display
- Capacity for 52 bottles (Bordeaux bottles 0,75 l)
- 4 wooden pull-out shelves, removeable
- 1 45°-wooden shelf for presentation
- Black glass door with UV-protection
- 2 temperature zones (with partition), adjustable from 5°C - 18°C
- LED lighting (per temperature zone 2 LED's à 0,2 W)
- Dynamic air circulation cooling system
- Acoustic alarm
- Reversible door hinges
- Including water container for additional humidity
- Door opening angle limitation 90° possible
- Excluding handle (see optional accessories)

Technical data:

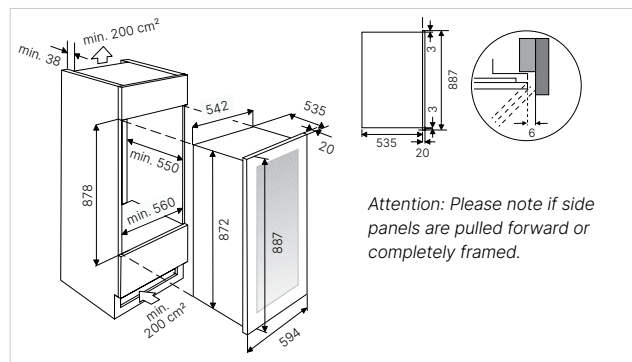
- Energy consumption/year 162 kWh
- Appliance dimensions (excluding handle) WxHxD approx. 594 × 887 × 555 mm
- Niche dimensions WxHxD approx. 560 × 878 × 550 mm
- Noise level 38 dB

Accessories handles:

- Design stainless steel Acc. no. DK 8801
- Design Black Chrome Acc. no. DK 8802
- Design Silver Chrome Acc. no. DK 8803
- Design Gold Acc. no. DK 8804
- Design Black Velvet Acc. no. DK 8805
- Design Copper Acc. no. DK 8807

FWK 2800.0 S

Design black glass



FRESH. WINE COOLERS. BUILT-IN.

K-SERIES.8

K-SERIES.8



FWK 2852.0 NEW

- Electronic temperature control with push buttons
- Electronic temperature display
- Capacity for 52 bottles (Bordeaux bottles 0,75 l)
- 4 wooden pull-out shelves, removeable
- 1 wine presenter
- Black glass door with UV-protection
- 2 temperature zones (with partition), adjustable from 5°C-18°C*
- LED lighting (per temperature zone 2 LED's à 0,2 W)
- Dynamic air circulation cooling system
- Acoustic alarm
- Including water container for additional humidity

Technical data:

- Energy consumption/year 162 kWh
- Appliance dimensions
WxHxD approx. 594 × 887 × 555 mm
- Niche dimensions
WxHxD approx. 560 × 878 × 550 mm
- Noise level 38 dB

* Upper section must be set colder than lower section.

Available from 11/23



FWK 6862.0 NEW

- Electronic temperature control with push buttons
- Electronic temperature display
- Capacity for 30 bottles (Bordeaux bottles 0,75 l)
- 3 wooden shelves, can be pulled out
- Black glass door with UV-protection
- 2 temperature zones (with partition), adjustable top 5°C-12°C, bottom 12°C-20°C
- LED lighting (per temperature zone 2 LED's à 0,2 W)
- Dynamic air circulation cooling system
- Acoustic alarm
- Including water container for additional humidity

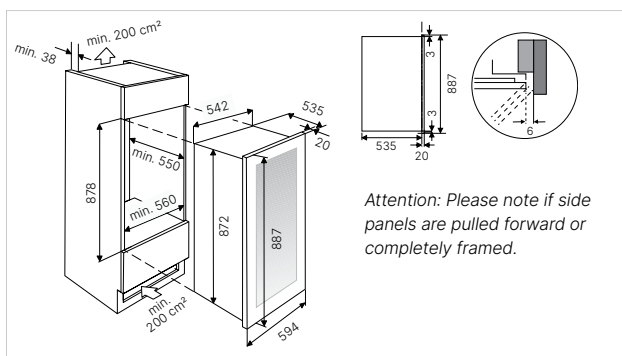
Technical data:

- Energy consumption/year 101 kWh
- Appliance dimensions
WxHxD approx. 590 × 595 × 560 mm
- Niche dimensions
WxHxD approx. 550 × 590 × 550 mm
- Noise level 38 dB

Available from 11/23

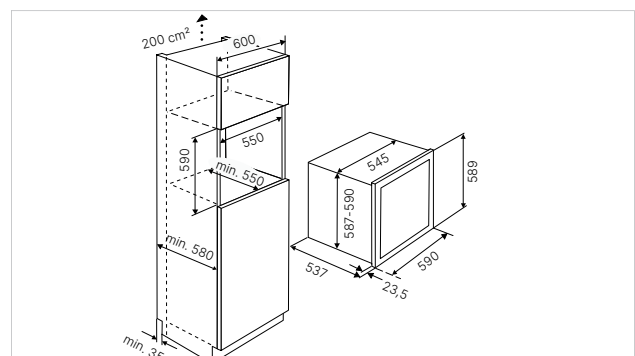
FWK 2852.0 S

Design black



FWK 6862.0 S

Design black



FRESH. WINE COOLERS. BUILT-UNDER.

K-SERIES.8

K-SERIES.5



FWKU 1851.0 **NEW**

- Electronic temperature control with push buttons
- Vertical electronic temperature display
- Capacity for 46 bottles (Bordeaux bottles 0,75 l)
- 5 houten plateaus, uittrekbaar op telescopische geleiders
- Black glass door with UV-protection
- 2 temperature zones: 5°C - 20°C
- LED lighting (per temperature zone 2 LED's à 0,2 W)
- Acoustic alarm
- Reversible door hinges
- Including water container for additional humidity
- Possibility for being built-under the worktop, removable front ventilation grid

Technical data:

- Energy consumption/year 99 kWh
- Appliance dimensions
WxHxD approx. 595 × 815-885 × 570 mm
- Niche dimensions
WxHxD approx. 600 x min. 820 × 575 mm
- Noise level 38 dB

FWKU 1531.0 **NEW**

- Electronic temperature control with push buttons
- Electronic temperature display
- Capacity for 17 bottles (Bordeaux bottles 0,75 l)
- 5 wooden pull-out shelves, removeable
- Black glass door with UV-protection
- 2 temperature zones: upper compartment from 5°C to 12°C
lower compartment from 12°C to 20°C
- LED lighting (per temperature zone 2 LED's à 0,2 W)
- Acoustic alarm
- Reversible door hinges
- Possibility for being built-under the worktop, removable front ventilation grid

Technical data:

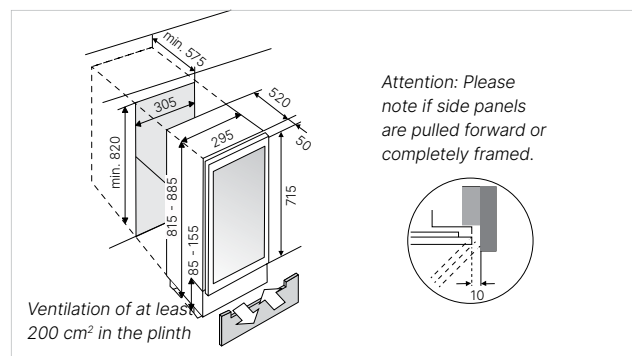
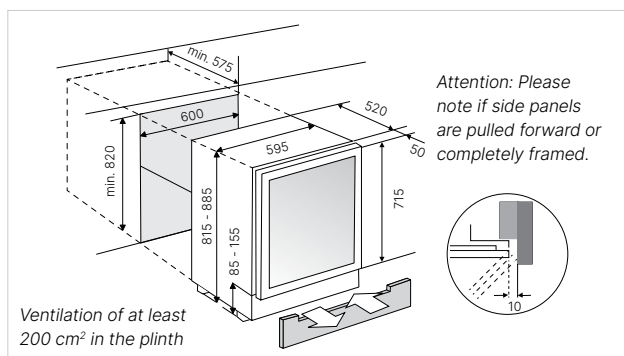
- Energy consumption/year 96 kWh
- Appliance dimensions
WxHxD approx. 295 × 815-885 × 570 mm
- Niche dimensions
WxHxD approx. 300 x min. 820 × 575 mm
- Noise level 38 dB

Available from 11/23

Available from 11/23

FWKU 1851.0 S Design black

FWKU 1531.0 S Design black





FRESH. FRIDGE-FREEZERS. FRESH ZONE.

K-SERIES.8



FKGF 9855.0 **** NEW

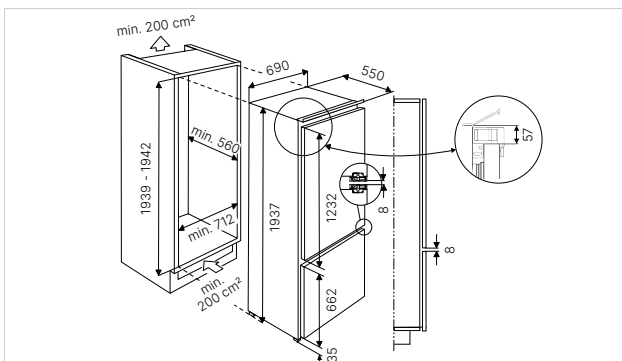
- Electronic temperature control with touch control sensors
- Electronic temperature display
- SilverLine Design
- Holiday Function
- FastCooling / FastFreezing with automatic shut off
- LED back panel
- Defrost Mode / Eco Mode
- Acoustic alarm
- VarioShelves / VarioBoxes
- Chrome-plated bottle rack
- Transparent freezer drawers
- Useable capacity 341 litres, of which
 - cooling section 222 litres
 - ChillerZone (0°C) 35 litres
 - freezer section 84 litres
- Reversible door hinges

Technical data:

- Energy consumption/year 250 kWh
- Freezing capacity 4,0 kg/24 h
- Storage time in the event of power failure 10 h
- Appliance dimensions W x H x D approx. 690 x 1,973 x 550 mm
- Niche dimensions W x H x D approx. 712 x 1,942 x 560 mm
- Noise level 41 dB

Available from 11/23

FKGF 9855.0i Fixed furniture door system



K-SERIES.8



FKGF 9850.0 **** NEW

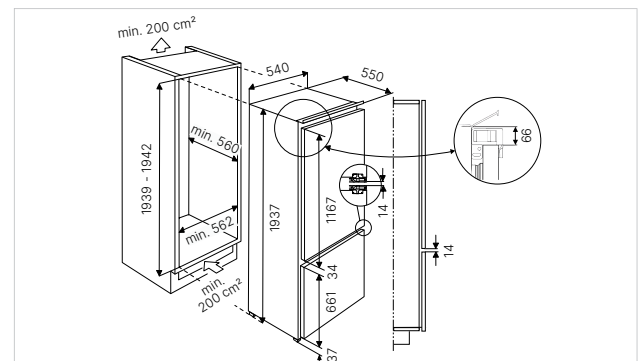
- Electronic temperature control with touch control sensors
- Electronic temperature display
- SilverLine Design
- Holiday Function
- FastCooling / FastFreezing with automatic shut off
- LED back panel
- Defrost Mode / Eco Mode
- Acoustic alarm
- VarioShelves / VarioBoxes
- Chrome-plated bottle rack
- Transparent freezer drawers
- Useable capacity 267 litres, of which
 - cooling section 174 litres
 - ChillerZone (0°C) 26 litres
 - freezer section 67 litres
- Reversible door hinges

Technical data:

- Energy consumption/year 232 kWh
- Freezing capacity 3,0 kg/24 h
- Storage time in the event of power failure 10 h
- Appliance dimensions W x H x D approx. 540 x 1,973 x 550 mm
- Niche dimensions W x H x D approx. 560 x 1,942 x 560 mm
- Noise level 41 dB

Available from 11/23

FKGF 9850.0i Fixed furniture door system



FRESH. REFRIGERATORS. K-SERIES.8



Ideal for combination with FG 8840.0i (see right) in a convenient side-by-side situation.



FK 8840.1

- Electronic temperature control with touch control sensors
- Electronic temperature display
- SilverLine Design Design
- Holiday Function
- Defrost Mode
- Acoustic alarm
- VarioShelves / VarioBoxes
- Chrome-plated bottle rack
- FreshBox
- IceBank
- Useable capacity 309 litres
- Reversible door hinges

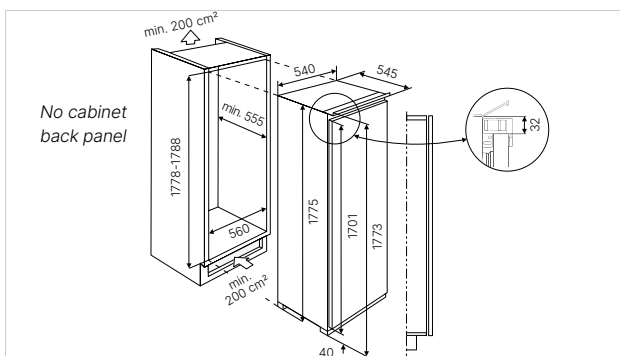
Technical data:

- Energy consumption/year 114 kWh
- Appliance dimensions W x H x D approx. 540 x 1,775 x 545 mm
- Niche dimensions W x H x D approx. 560 x 1,788 x 555 mm
- Noise level 36 dB

Available from 01/24

FK 8840.1i

Fixed furniture door system



FRESH. FREEZERS. K-SERIES.8



Ideal for combination with FK 8840.0i (see left) in a convenient side-by-side situation.



FG 8840.1 ****

- Electronic temperature control with touch control sensors
- Electronic temperature display
- FastFreezing with automatic shut off
- Acoustic alarm
- Transparent freezer drawers
- Useable capacity 204 litres
- Reversible door hinges

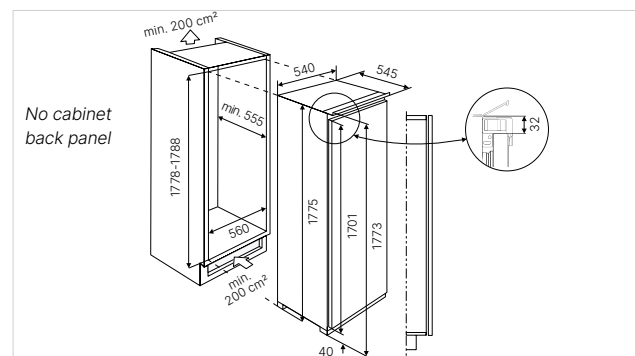
Technical data:

- Energy consumption/year 239 kWh
- Freezing capacity 10 kg/24 h
- Storage time in the event of power failure 13 h
- Appliance dimensions W x H x D approx. 540 x 1,775 x 545 mm
- Niche dimensions W x H x D approx. 560 x 1,788 x 555 mm
- Noise level 39 dB

Available from 01/24

FG 8840.1i

Fixed furniture door system



FRESH. FRIDGE-FREEZERS. FRESH ZONE.

K-SERIES.8



FKGF 8851.0 **** NEW

- Electronic temperature control with touch control sensors
- Electronic temperature display
- SilverLine Design
- Holiday Function
- FastCooling / FastFreezing with automatic shut off
- Metallic Backwall
- Defrost Mode / Eco Mode
- Acoustic alarm
- VarioShelves / VarioBoxes
- Wooden bottle rack
- Transparent freezer drawers
- Useable capacity 244 litres, of which
 - cooling section 151 litres
 - ChillerZone (0°C) 26 litres
 - freezer section 67 litres
- Reversible door hinges

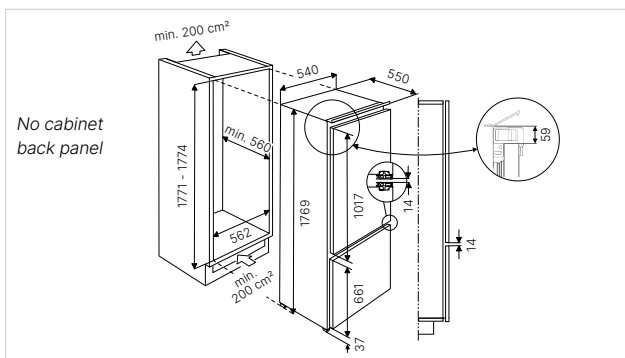
Technical data:

- Energy consumption/year 234 kWh
- Freezing capacity 3,0 kg/24 h
- Storage time in the event of power failure 13 h
- Appliance dimensions W x H x D approx. 540 x 1,769 x 550 mm
- Niche dimensions W x H x D approx. 562 x min. 1,771 x 560 mm
- Noise level 41 dB

Available from 11/23

FKGF 8851.0i

Fixed furniture door system



K-SERIES.8



FKGF 8860.0 ****

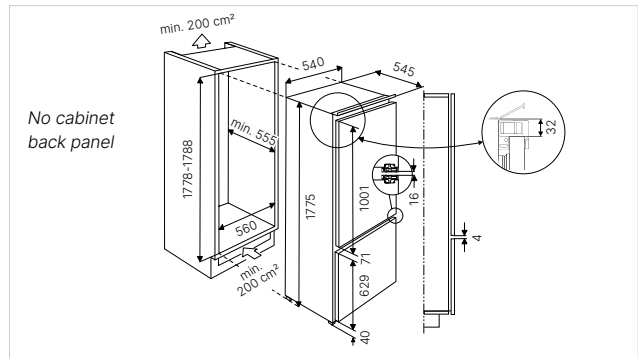
- Electronic temperature control with touch control sensors
- Electronic temperature display
- Inverter compressor
- SilverLine Design
- FastCooling / FastFreezing with automatic shut off
- Defrost Mode / Eco Mode
- Acoustic alarm
- VarioShelves / VarioBoxes
- Chrome-plated bottle rack
- IceBank
- Transparent freezer drawers
- Useable capacity 254 litres, of which
 - cooling section 185 litres
 - freezer section 69 litres
- Reversible door hinges

Technical data:

- Energy consumption/year 224 kWh
- Freezing capacity 3,2 kg/24 h
- Storage time in the event of power failure 13 h
- Appliance dimensions W x H x D approx. 540 x 1,775 x 545 mm
- Niche dimensions W x H x D approx. 560 x 1,788 x 555 mm
- Noise level 38 dB

FKGF 8860.0i

Fixed furniture door system



FRESH. FRIDGE-FREEZERS. K-SERIES.5



FKG 8540.0 ****

- Electronic temperature control with touch control sensors
- Electronic temperature display
- Inverter compressor
- SilverLine Design
- FastCooling / FastFreezing with automatic shut off
- Defrost Mode
- Acoustic alarm
- VarioShelves / VarioBoxes
- Chrome-plated bottle rack
- FreshBox
- IceBank
- Transparent freezer drawers
- Useable capacity 262 litres, of which
 - cooling section 193 litres
 - freezer section 69 litres
- Reversible door hinges

Technical data:

- Energy consumption/year 224 kW/h
- Freezing capacity 3,2 kg/24 h
- Storage time in the event of power failure 13 h
- Appliance dimensions W x H x D approx. 540 x 1,775 x 545 mm
- Niche dimensions W x H x D approx. 560 x 1,788 x 555 mm
- Noise level 38 dB

K-SERIES.3



FKG 8340.0 ****

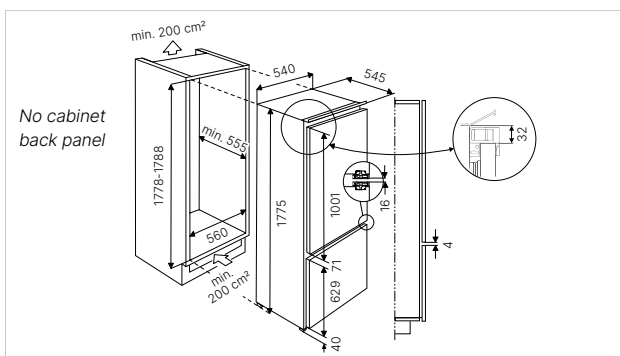
- Electronic temperature control with touch control sensors
- SilverLine Design
- FastCooling with automatic shut off
- Defrost Mode
- Acoustic alarm
- VarioShelves / VarioBoxes
- Chrome-plated bottle rack
- Transparent freezer drawers
- Useable capacity 271 litres, of which
 - cooling section 193 litres
 - freezer section 78 litres
- Reversible door hinges

Technical data:

- Energy consumption/year 225 kWh
- Freezing capacity 3,6 kg/24 h
- Storage time in the event of power failure 20 h
- Appliance dimensions W x H x D approx. 540 x 1,775 x 545 mm
- Niche dimensions W x H x D approx. 560 x 1,788 x 555 mm
- Noise level 35 dB

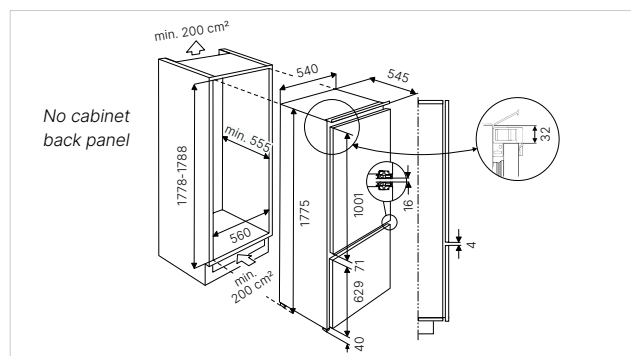
FKG 8540.0i

Fixed furniture door system



FKG 8340.0i

Sliding-rail furniture door system



FRESH. REFRIGERATORS. K-SERIES.5

K-SERIES.5



FK 4545.1 ****

- Mechanical temperature control with rotary button
- SilverLine Design
- Defrost Mode
- VarioShelves / VarioBoxes
- Useable capacity 175 litres
 - of which cooling section 156 litres
 - freezer section 19 litres
- Reversible door hinges

Technical data:

- Energy consumption/year 152 kWh
- Freezing capacity 2 kg/24 h
- Storage time in the event of power failure 16 h
- Appliance dimensions W x H x D approx. 540 x 1,215 x 545 mm
- Niche dimensions W x H x D approx. 560 x 1,228 x 555 mm
- Noise level 35 dB

Available from 01/24



FK 4540.1

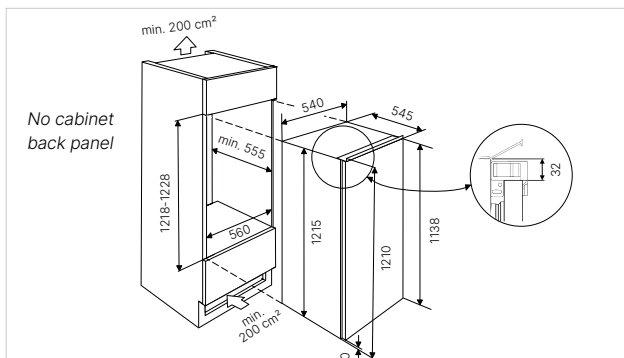
- Mechanical temperature control with rotary button
- SilverLine Design
- Defrost Mode
- VarioShelves / VarioBoxes
- Chrome-plated bottle rack
- Useable capacity 198 litres
- Reversible door hinges

Technical data:

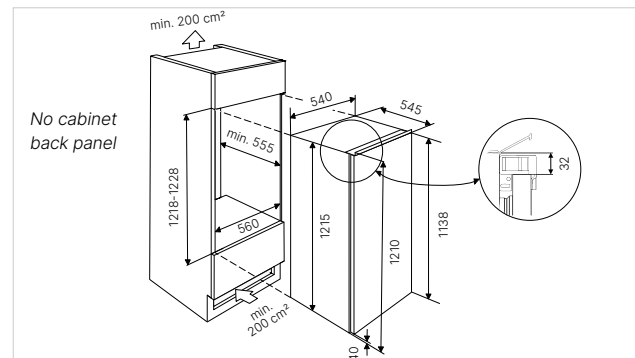
- Energy consumption/year 100 kWh
- Appliance dimensions W x H x D approx. 540 x 1,215 x 545 mm
- Niche dimensions W x H x D approx. 560 x 1,228 x 555 mm
- Noise level 36 dB

Available from 01/24

FK 4545.1i Sliding-rail furniture door system



FK 4540.1i Sliding-rail furniture door system



FRESH. REFRIGERATORS. K-SERIES.5



FK 2545.0 ****

- Mechanical temperature control with rotary button
- Defrost Mode
- VarioShelves / VarioBoxes
- Useable capacity 110 litres
 - of which
 - cooling section 97 litres
 - freezer section 13 litres
- Reversible door hinges

Technical data:

- Energy consumption/year 141 kWh
- Freezing capacity 2,6 kg/24 h
- Storage time in the event of power failure 9 h
- Appliance dimensions W x H x D approx. 540 x 866 x 548 mm
- Niche dimensions W x H x D approx. 560 x 880 x 555 mm
- Noise level 35 dB

FRESH. REFRIGERATORS. K-SERIES.5



FK 2540.0

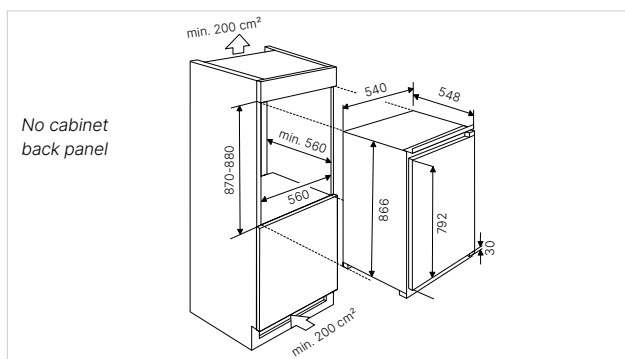
- Mechanical temperature control with rotary button
- Defrost Mode
- VarioShelves / VarioBoxes
- Useable capacity 126 litres
- Reversible door hinges

Technical data:

- Energy consumption/year 92 kWh
- Appliance dimensions W x H x D approx. 540 x 866 x 548 mm
- Niche dimensions W x H x D approx. 560 x 880 x 555 mm
- Noise level 29 dB

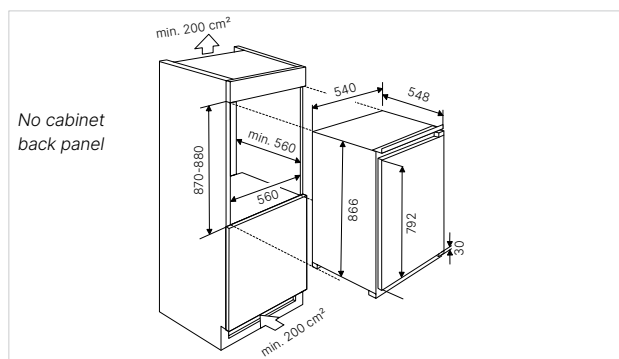
FK 2545.0i

Sliding-rail furniture door system



FK 2540.0i

Sliding-rail furniture door system



FRESH. REFRIGERATORS. BUILT-UNDER. K-SERIES.5



FKU 1540.0

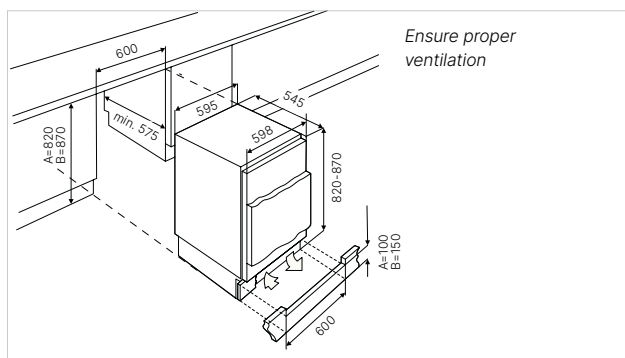
- Mechanical temperature control with rotary button
- Defrost Mode
- VarioShelves / VarioBoxes
- Useable capacity 128 litres
- Reversible door hinges
- Door opening angle limitation to 90 ° possible
- Ventilation in plinth

Technical data:

- Energy consumption/year 92 kWh
- Appliance dimensions
W x H x D approx. 95 x 820 x 545 mm
- Niche dimensions
W x H x D approx. 600 x 820 x 575 mm
- Noise level 35 dB

FKU 1540.0i

Fixed furniture door system



| Individual and brilliant.

KÜPPERSBUSCH DISHWASHERS

These dishwashers take as much care of glasses and cutlery as you do. They wash your precious dishes gently, quietly, and brilliantly. How about an additional optional cleaning zone for careful yet gentle cleaning of dishes and glasses? All possible with the numerous options.

Küppersbusch



• auto
40°-65°



70°

• eco
50°



40°

• 1h
60°



35°



S

SYSTEMATIC FLEXIBILITY

multiflex drawers

The multiflex drawers offer more convenience and flexibility. Cutlery, cooking utensils and espresso cups need no longer be placed in the main baskets thereby allowing more space for larger items.



multiflex drawer I (for dishwashers 60/45 cm)
without adjustable elements

multiflex drawer II (for dishwashers 60 cm)
adjustable cup trays

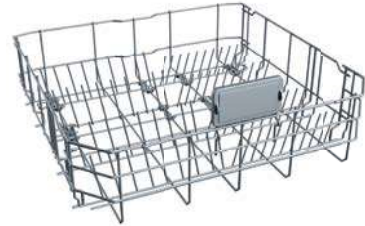
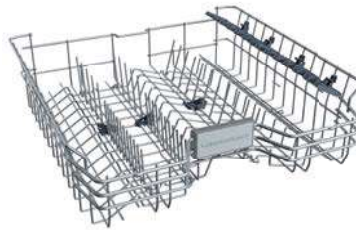
multiflex basket system III for dishwashers 60 cm

Top basket

- 6 collapsible plate racks
- 2 cup racks
- Basket handle with steel insert

Bottom basket

- 8 collapsible plate racks
- Basket handle with steel insert



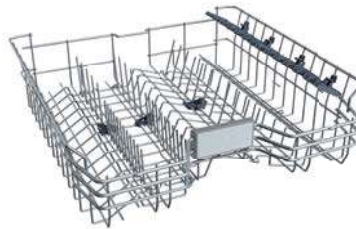
multiflex basket system II for dishwashers 60 cm

Top basket

- 2 cup racks
- 3 collapsible plate racks
- Basket handle

Bottom basket

- 4 collapsible plate racks
- Basket handle



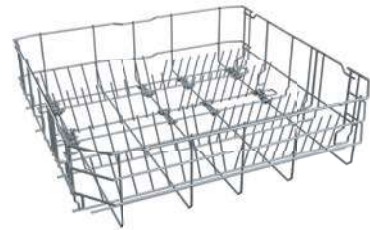
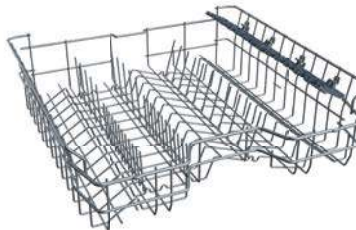
multiflex basket system I for dishwashers 60 cm

Top basket

- 2 cup racks

Bottom basket

- 4 collapsible plate racks



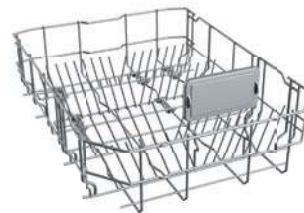
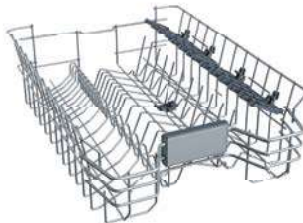
multiflex basket system II for dishwashers 45 cm

Top basket

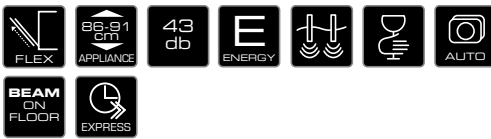
- 2 cup racks
- 1 collapsible plate rack
- Basket handle

Bottom basket

- 2 collapsible plate racks
- Basket handle



DISHWASHERS. 60 CM XXL. K-SERIES.5



GX 6500.0

- 15 international place settings
- 9 programmes: Intensive programme 70°C, Glass care programme 40°C, Automatic programme 40°C – 65°C, Economy programme 50°C, Fast programme 35°C, 1h programme 60°C, Flextronic programme, Machine care programme, Pre-rinse
- Special functions: express system, Half load option, IntensiveClean, IntensiveRinse
- LED display
- Electronic time preselection 24h
- Operation via push buttons
- Electronic refill display for salt and rinse aid
- Acoustic signal at end of programme
- multiflex baskets II
- multiflex drawer II
- Cutlery basket included
- Height-adjustable top basket also with load
- Interior container Stainless Steel / ground Stainless Steel
- Technically suitable for elevated installation

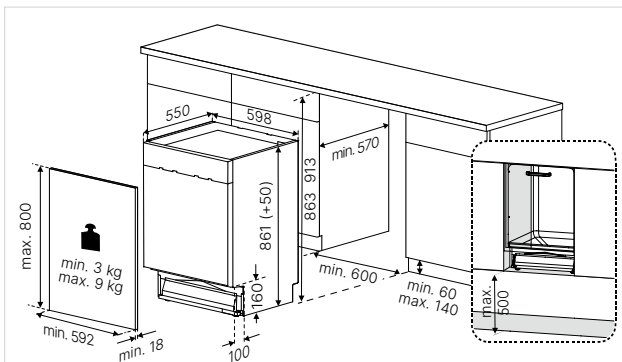
Technical data:

- Electrical connection 2.1 kW (ready to plug in)
Schuko-plug
- Energy consumption*
per 100 operating cycles 97 kWh
- Water consumption*
per operating cycle 9.5 litres
- Appliance dimensions
W x H x D approx. 598 × 861-911 × 550 mm
- Niche dimensions
W x H x D approx. 600 × 863-913 × 570 mm

* in ECO programme

GX 6500.0 v

fully-integrated



DISHWASHERS. 60 CM. K-SERIES.8



G 6805.1

- 15 international place settings
- 8 programmes: Intensive programme 70°C, Glass care programme 40°C, Automatic programme 40°C – 65°C, Economy programme 50°C, Fast programme 35°C, 1h programme 60°C, Flextronic programme, Pre-rinse
- Special functions: IonClean, express system, Half load option, IntensiveClean, IntensiveDry
- LED display
- Electronic time preselection 24h
- Operation via touch control
- Electronic refill display for salt and rinse aid
- Acoustic signal at end of programme
- multiflex baskets III
- multiflex drawer II
- Cutlery basket included
- Height-adjustable top basket also with load
- Interior container Stainless Steel / ground Stainless Steel
- Technically suitable for elevated installation

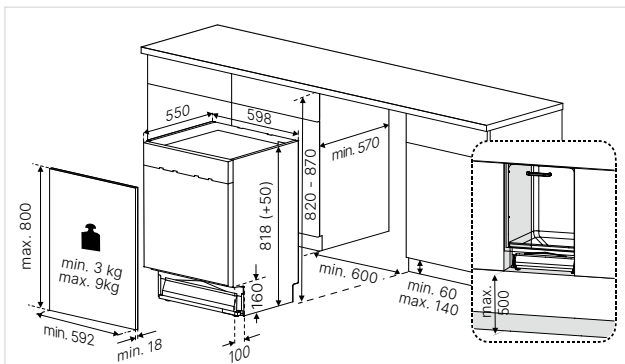
Technical data:

- Electrical connection 2.1 kW (ready to plug in) Schuko-plug
- Energy consumption* per 100 operating cycles 86 kWh
- Water consumption* per operating cycle 9.9 litres
- Appliance dimensions WxHxD approx. 598 × 818-868 × 550 mm
- Niche dimensions WxHxD approx. 600 × 820-870 × 570 mm

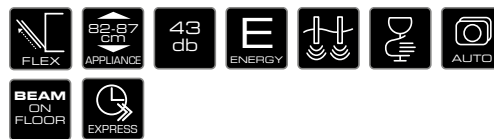
* in ECO programme

G 6805.1 v

fully-integrated



K-SERIES.5



G 6500.0

- 15 international place settings
- 9 programmes: Intensive programme 70°C, Glass care programme 40°C, Automatic programme 40°C – 65°C, Economy programme 50°C, Fast programme 35°C, 1h programme 60°C, Flextronic programme, Machine care programme, Pre-rinse
- Special functions: express system, Half load option, IntensiveClean, IntensiveRinse
- LED display
- Electronic time preselection 24h
- Operation via push buttons
- Electronic refill display for salt and rinse aid
- Acoustic signal at end of programme
- multiflex baskets II
- multiflex drawer II
- Cutlery basket included
- Height-adjustable top basket also with load
- Interior container Stainless Steel / ground Stainless Steel
- Technically suitable for elevated installation

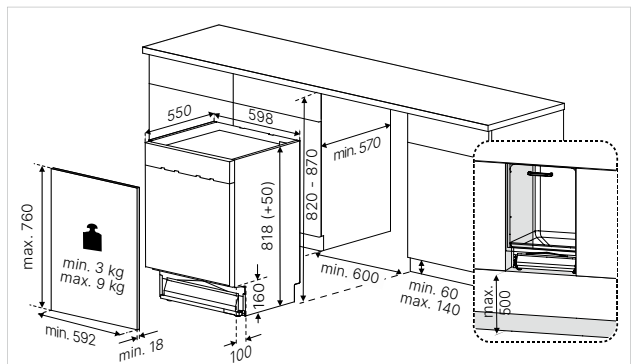
Technical data:

- Electrical connection 2.1 kW (ready to plug in) Schuko-plug
- Energy consumption* per 100 operating cycles 97 kWh
- Water consumption* per operating cycle 9.5 litres
- Appliance dimensions WxHxD approx. 598 × 818-868 × 550 mm
- Niche dimensions WxHxD approx. 600 × 820-870 × 570 mm

* in ECO programme

G 6500.0 v

fully-integrated



DISHWASHERS. 60 CM. K-SERIES.3



G 6300.0

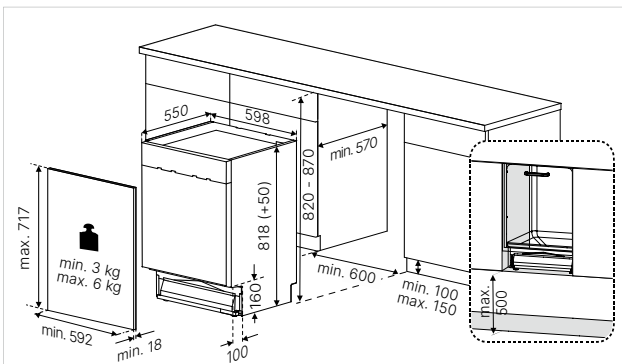
- 15 international place settings
- 7 programmes: Intensive programme 70°C, Automatic programme 40°C – 65°C, Economy programme 50°C, Fast programme 35°C, 1h programme 60°C, Machine care programme, Pre-rinse
- Special functions: express system, Half load option, IntensiveClean, IntensiveDry
- LED display
- Electronic time preselection 24h
- Operation via push buttons
- Electronic refill display for salt and rinse aid
- Acoustic signal at end of programme
- multiflex baskets I
- multiflex drawer I
- Cutlery basket included
- Height-adjustable top basket also with load
- Interior container Stainless Steel / ground Stainless Steel
- Technically suitable for elevated installation

Technical data:

- Electrical connection 2.1 kW (ready to plug in)
Schuko-plug
 - Energy consumption* per 100 operating cycles 97 kWh
 - Water consumption* per operating cycle 9.5 litres
 - Appliance dimensions WxHxD approx. 598 × 818-868 × 550 mm
 - Niche dimensions WxHxD approx. 600 × 820-870 × 570 mm
- * in ECO programme

G 6300.0 v

fully-integrated



DISHWASHERS. 45 CM. K-SERIES.3



G 4800.1

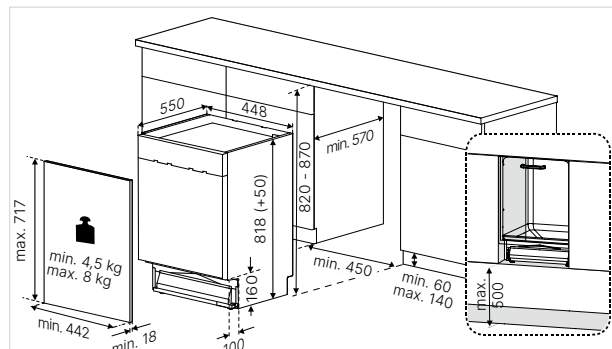
- 10 international place settings
- 9 programmes: Intensive programme 70°C, Glass care programme 40°C, Automatic programme 40°C – 65°C, Economy programme 50°C, Fast programme 35°C, 1h programme 60°C, Flextronic programme, Machine care programme, Pre-rinse
- Special functions: express system, Half load option, IntensiveClean, IntensiveRinse
- LED display
- Electronic time preselection 24h
- Operation via push buttons
- Electronic refill display for salt and rinse aid
- Acoustic signal at end of programme
- multiflex baskets II
- multiflex drawer I
- Cutlery basket included
- Height-adjustable top basket also with load
- Interior container Stainless Steel / ground Stainless Steel
- Technically suitable for elevated installation

Technical data:

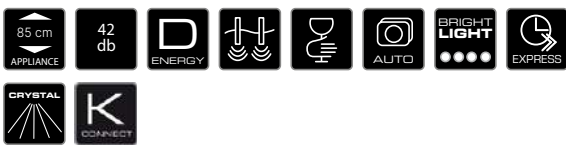
- Electrical connection 2.1 kW (ready to plug in)
Schuko-plug
 - Energy consumption* per 100 operating cycles 59 kWh
 - Water consumption* per operating cycle 8.9 litres
 - Appliance dimensions WxHxD approx. 448 × 818-868 × 550 mm
 - Niche dimensions WxHxD approx. 450 × 820-870 × 570 mm
- * in ECO programme

G 4800.1 v

fully-integrated



DISHWASHERS. 60 CM. FREESTANDING. K-SERIES.5



G 6580.0 NEW

- 15 international place settings
- 8 programmes: Intensive programme 60-70°C, Quick programme 40°C, 3 Automatic programmes 30-50°C / 50-60°C / 60-70°C, Economy programme 50°C, Fast programme 35°C, 1h programme 65°C, DualWash programme 60°C
- Special functions: express system, Half load option, Silent-wash, IntensiveClean, Energiesparen
- LED display
- Electronic time preselection 24h
- Operation via touch control
- Electronic refill display for salt and rinse aid
- Acoustic signal at end of programme
- Cutlery basket included
- Height-adjustable top basket also with load
- Interior container Stainless Steel / ground Stainless Steel

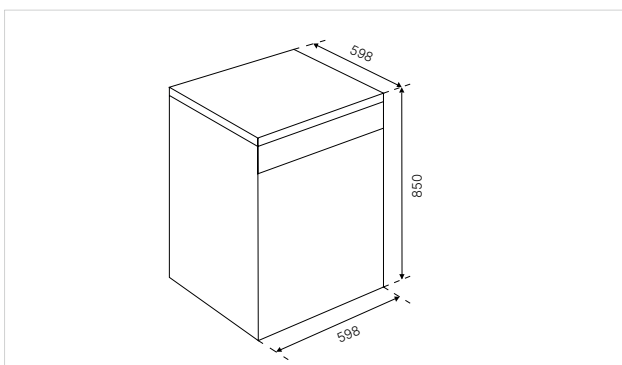
Technical data:

- Electrical connection 2.0 kW (ready to plug in)
Schuko-plug
- Energy consumption*
per 100 operating cycles 97 kWh
- Water consumption*
per operating cycle 9,0 litres
- Appliance dimensions W x H x D approx.
600 × 850 × 600 mm

* in Eco programme

G 6580.0 E

Stainless steel, freestanding



KÜPPERSBUSCH ACCESSORIES & TECHNICAL DATA



ACCESSORIES. OVENS. COMPACT APPLIANCES.

		BP / B 6850 BP / B 6550 BP / B 6350 BP 6381 BD 6340 BP 6332 B 6330	BD 6340	CBD 6550	CBM 6550 CBM 6350 CBM 6330	CBP 6550 CBP 6332
	Dimensions W x H x D	Acc. no.	Acc. no.	Acc. no.	Acc. no.	Acc. no.
Enamel baking tray 	External dimensions: approx. 459 × 30 × 379 mm Internal dimensions: approx. 436 × 28 × 361 mm	ZB 1000	ZB 1000	ZB 1000		ZB 1000
Enamel universal / deep tray 	External dimensions: approx. 459 × 50 × 379 mm Internal dimensions: approx. 436 × 48 × 361 mm	ZB 1001	ZB 1001	ZB 1001		ZB 1001
Baking stone with lifter 	Dimensions: approx. 380 × 331 × 10/12 mm	145	145	145	145	145
Profi Cooking Set , consisting of: universal baking tray, inside roast and lid 	External dimensions universal baking tray: approx. 459 × 60 × 379 mm Internal dimensions universal baking tray: approx. 430 × 59 × 265 mm	ZB 8030	ZB 8030	ZB 8030		ZB 8030
Profi Roaster Set , consisting of: cast aluminum pan (induction suitable*) and telescopic glide-out shelf (full glide-out) 	External dimensions cast aluminum pan: approx. 458 × 45 × 379 mm Internal dimensions cast aluminum pan: approx. 345 × 39 × 326 mm	ZB 8031	ZB 8031			
Telescopic glide-out shelf (full glide-out) (1 pair) 		ZB 1002	ZB 1002			
Telescopic glide-out shelf (standard glide-out) (1 pair) 		ZB 1003	ZB 1003	ZC 1001		ZC 1000
Profi Steam Adapter 	External dimensions W x D approx. 458 × 379 mm		GN 8000	GN 8000		
Cooking trivet GN 1/3 perforated 	External dimensions: approx. 325 × 39 × 176 mm Internal dimensions: approx. 300 × 38 × 151 mm		GN 1304	GN 1304		
Cooking trivet GN 1/3 non-perforated (2 pieces) 	External dimensions: approx. 325 × 39 × 176 mm Internal dimensions: approx. 300 × 38 × 151 mm		ZB 1005	ZB 1005		
Cooking trivet GN 2/3 perforated 	External dimensions: approx. 354 × 39 × 325 mm Internal dimensions: approx. 329 × 38 × 300 mm		GN 2304	GN 2304		

* Not suitable for hobs with Miradur® coating

INDIVIDUAL.



Design Stainless Steel



Design Black Chrome



Design Silver Chrome



Design Gold



Design Black Velvet



Design Copper



Design Stainless Steel



Design Black Chrome



Design Silver Chrome



Design Gold



Design Black Velvet















Design Copper

BP / B 6850 BP / B 6550 BP / B 6350 BP 6381 BD 6340 BP 6332 B 6330	CBD 6550	CBM 6550 CBM 6350 CBM 6330 CM 6330	CBP 6550	B 9330	ML/MR 6330	CKV 6800	CSV 6800 CSW 6800 CSZ 6800
--	----------	---	----------	--------	------------	----------	----------------------------------







Design kit Stainless steel	DK 1000	DK 1004	DK 1003	DK 1001	DK 1002
Design kit Black Chrome	DK 2000	DK 2004	DK 2003	DK 2001	DK 2002
Design kit Silver Chrome	DK 3000	DK 3004	DK 3003	DK 3001	DK 3002
Design kit Gold	DK 4000	DK 4004	DK 4003	DK 4001	DK 4002
Design kit Black Velvet	DK 5000	DK 5004	DK 5003	DK 5001	DK 5002
Design kit Copper	DK 7000		DK 7003	DK 7001	DK 7002

* not suitable for hobs with Miradur® coating

ACCESSORIES. DOWNDRAFTS.

		KMI 9850	KMI 9800	KMI 8590	KMI 8500	KMI 8560	VKM 1820
		Acc. no.	Acc. no.	Acc. no.	Acc. no.	Acc. no.	Acc. no.
Glass cover, black		ZK 8005	ZK 8005		ZK 8000 (only in black)	ZKM 8050	ZKM 8050
Ceramic filter set 3 pieces				ZKM 8595			
Charcoal filter box		ZK 8001	ZK 8001	ZK 8001	ZK 8001	ZK 8001	ZK 8001
Replacement charcoal filter for charcoal filter box		ZK 8004	ZK 8004	ZK 8004	ZK 8004	ZK 8004	ZK 8004
PlasmaMade filter		ZD 8001	ZD 8001	ZD 8001	ZD 8001	ZD 8001	ZD 8001
Wireless window contact system		ZK 8002	ZK 8002		ZK 8002		ZK 8002
Motor cable extension		ZK 8008	ZK 8008		ZK 8008		
Basic set consisting of: 1 x pipe bend vertical 90° (Naber: F-RBV 150 / Özpolat: N20072)							
1 x adapter pieces (Naber: F-RVB 150 / Özpolat:N20025)				ZKM 8000 A		ZKM 8000 A	
2 x flat duct 0,5 m (Naber: F-VOR 150 / Özpolat: N20004)							
Back wall outlet set				ZKM 8500			
Charcoal filter for plinth charcoal filter-box ZKM 8051				ZKM 8051-1		ZKM 8051-1	
Ceramic filter cassette						ZKM 8150	
Recirculating plinthbox incl. charcoal filter				ZKM 8051		ZKM 8051	
Ventilation grid design Stainless Steel		99089	99089	DK 8591	99089		
Ventilation grid Black Chrome		99090	99090	DK 8592	99090		
Ventilation grid Silver Chrome		99091	99091	DK 8593	99091		
Ventilation grid Gold		99092	99092	DK 8594	99092		
Ventilation grid Black Velvet		99093	99093	DK 8595	99093		
Ventilation grid Copper		99094	99094	DK 8597	99094		

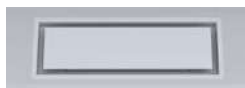
ACCESSORIES. HOBS.

			Acc. no.
	Cast aluminium casserole Coated aluminium (non-stick coating) 42 × 25 cm	for all types of heating	Acc. no. ZK 1302
	FlexiGrill	for KMI..., KI 98..., KI 88..., KI 68..., KIG...	Acc. no. 1303
	Gas deflector	for combination from VKM 1820.0 SR with GKS 3820.0 SR or GWS 3811.0 SR	Acc. no. ZKM 8053
	Stainless steel wok pan approx. 5 litres	for VKIW 3800.0	Acc. no. 3710
	Stainless steel wok pan, large approx. 9,3 litres	for VKIW 3800.0	Acc. no. 760
	Lid for wok pans (for Acc. 3710, 760)		Acc. no. 763
	Teppan Yaki-Set, consisting of - Asian chef's knife - Spatula - Cleaning scraper	for VKET 3800.0	Acc. no. 1114
	VarioLine metallic joining strip	for hobs with stainless steel frame	Acc. no. 1130
	Stainless steel profiles 800 mm	for KI 8810.0 SR, KI 8560.0 SR, KI 8520.0 WR, KI 8330.0 SR, KI 8120.0 SR	Acc. no. ZK 0800
	Stainless steel profiles RVS 600 mm	for KI 6560.0 SR, KI 6520.0 WR, KI 6330.0 SR	Acc. no. ZK 0600

ACCESSORIES. COOKER HOODS.

Initial equipment-accessories (Only required for initial orders)		Acc. no.
Recirculation air set as initial equipment, tube and clamps	for DEF.....	565
Filter		
Ceramic filter*	for DDL 9830	ZD 1015
Charcoal filter	for DI 9340, DW 9340, DW 6340	870
Charcoal filter	for LB 8650, LB 6650	9019
Charcoal filter (2 pieces necessary)	for DI 3800 , DEL 9550, DEL 8550, DEL 6550	881
Charcoal filter	for DEF 9550, DEF 6550	ZD 1011
Charcoal filter	for DW 8500	603
Charcoal filter	for DW 9880	ZD 1000
Charcoal filter	for DW 9500, DW 9350	ZD 1001
Charcoal filter	for DD 9840	ZD 1013
Charcoal filter	for DW 8540	ZD 1012
Charcoal filter (2 pieces necessary)	for DEF 6300, DEF 9800, DEF 6800, for DEL 5100	ZD 1006
Charcoal filter	for DW 8550	ZD 1018



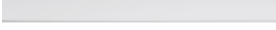



Recirculation box incl. ceramic filter



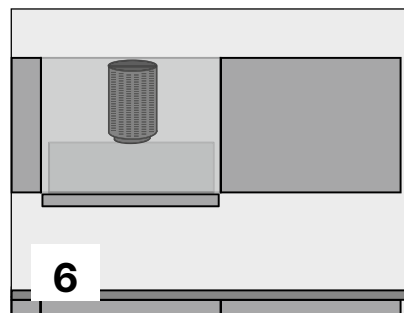
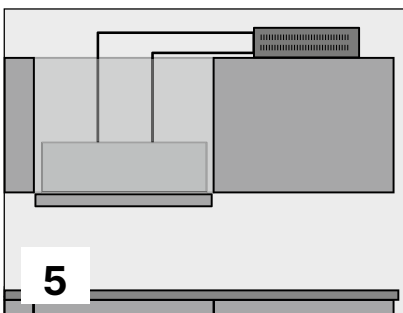
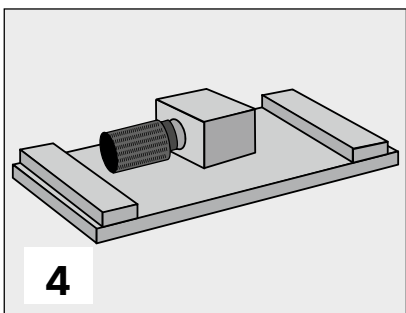
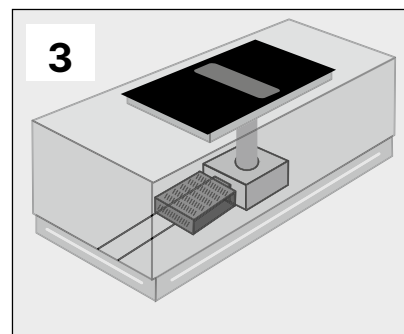
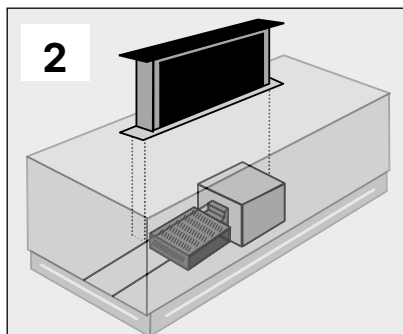
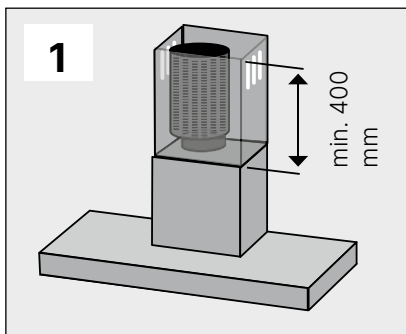
for DDL

ZD 1016

* Can only be used in combination with recirculation box ZD 1016

Küppersbusch Individual	Design	DI 3800	DW 9500	DW 9880
Cooker hood		Acc. no.	Acc. no.	Acc. no.
	Stainless steel	DK 3801 (2 pieces necessary)	DK 9011	DK 9881
	Black Chrome	DK 3802 (2 pieces necessary)	DK 9012	DK 9882
	Silver Chrome	DK 3803 (2 pieces necessary)	DK 9013	DK 9883
	Gold	DK 3804 (2 pieces necessary)	DK 9014	DK 9884
	Black Velvet	DK 3805 (2 pieces necessary)		DK 9885
	Copper	DK 3807 (2 pieces necessary)	DK 9017	DK 9887

PLASMAMADE INSTALLATION FOR DIFFERENT TYPES OF COOKER HOOD.



1. Island and chimney cooker hoods
ZD 8000 filter is mounted direct on the air vent.

2. Downdraft extractors
ZD 8001 filter is mounted in the base.

3. Hob with integrated cooktop extractor
ZD 8001 filter is mounted in the base.

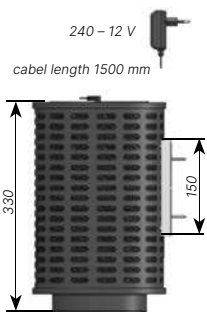
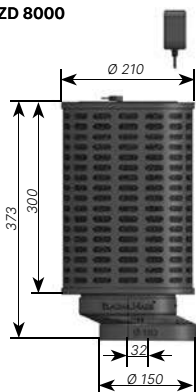
4. Built-in ceiling canopy hoods
ZD 8000 filter is mounted direct on the cooker hood motor.

5. Built-in cooker hoods with ZD 8001
ZD 8001 filter is put onto the unit and connected to the hood.

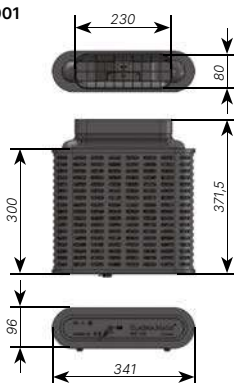
6. Built-in cooker hoods with ZD 8000
ZD 8000 filter is put directly onto the motor of the hood.

PlasmaMade Filter

ZD 8000



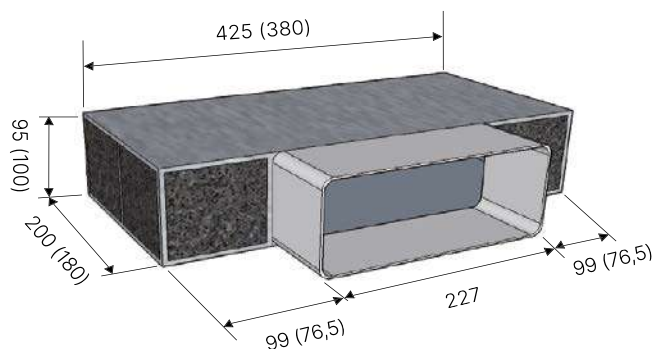
ZD 8001



Acc. no.
ZD 8000 / ZD 8001

Charcoal filter box

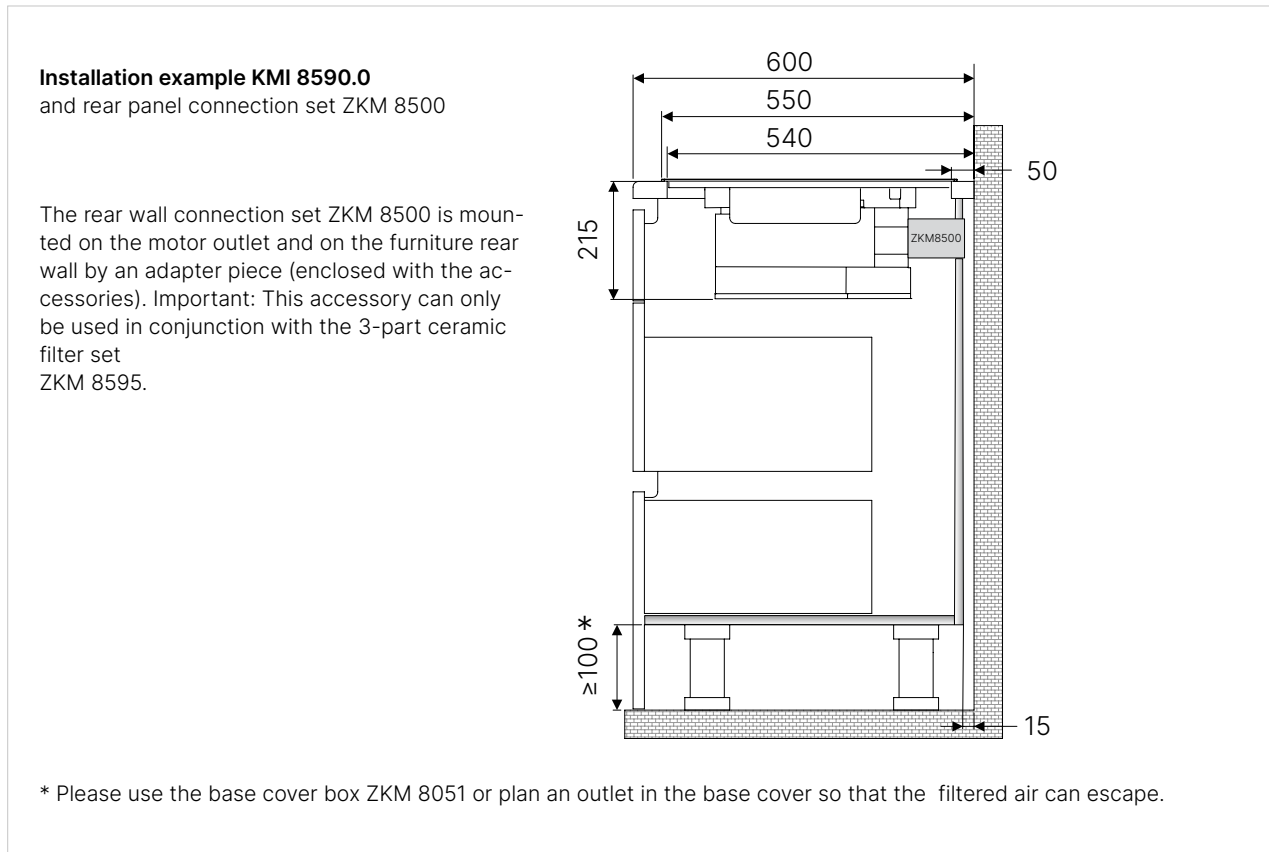
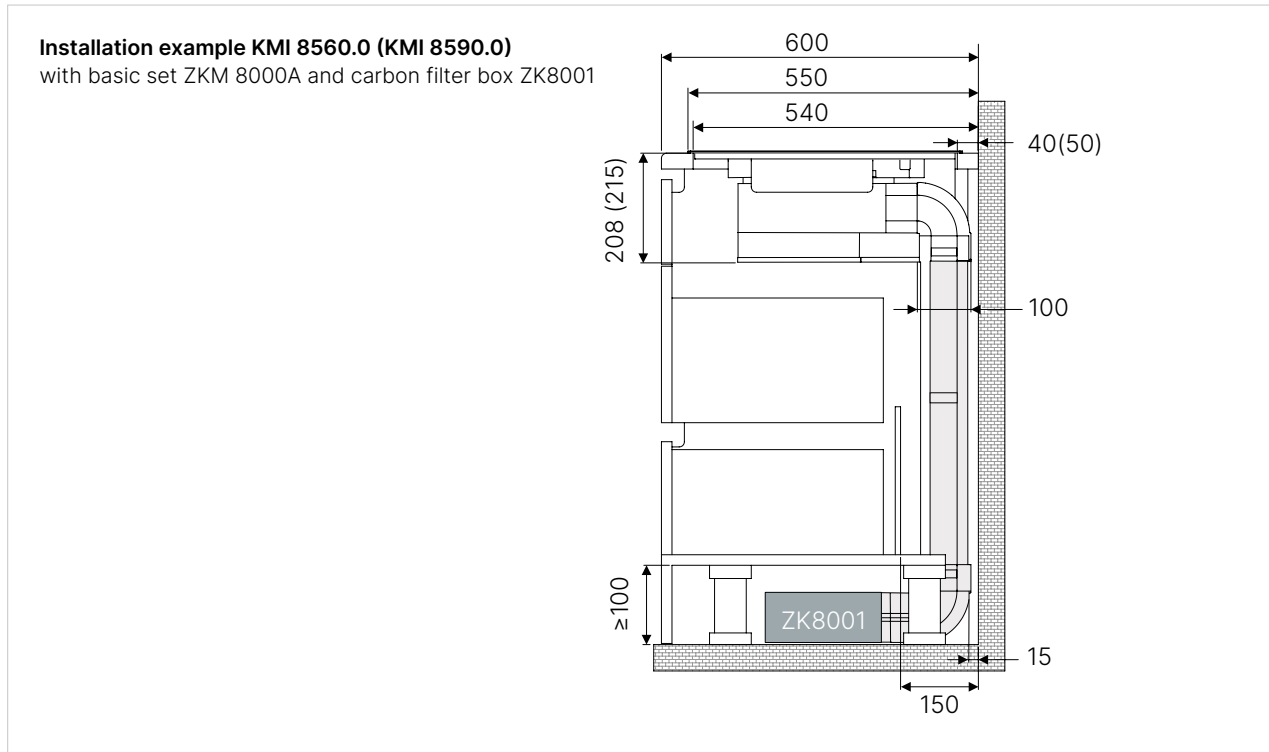
ZK 8001 (ZKM 8051)



INSTALLATION INSTRUCTIONS, DELIVERY PART.

KMI 8560.0 / KMI 8590.0

The All-in-one System with the motor integrated into the hob you can control the exhaust air below the hob in all directions. Upper elbow 90° is included in the standard delivery (s. Page 167, Fig. b).



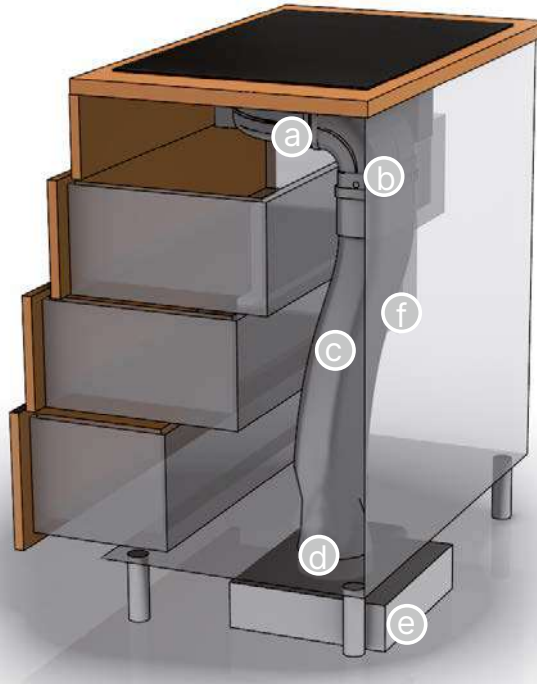
The All-in-one System with the motor integrated into the hob you can control the exhaust air below the hob in all directions. Upper elbow 90° is included in the standard delivery.

INSTALLATION INSTRUCTIONS, DELIVERY PART.

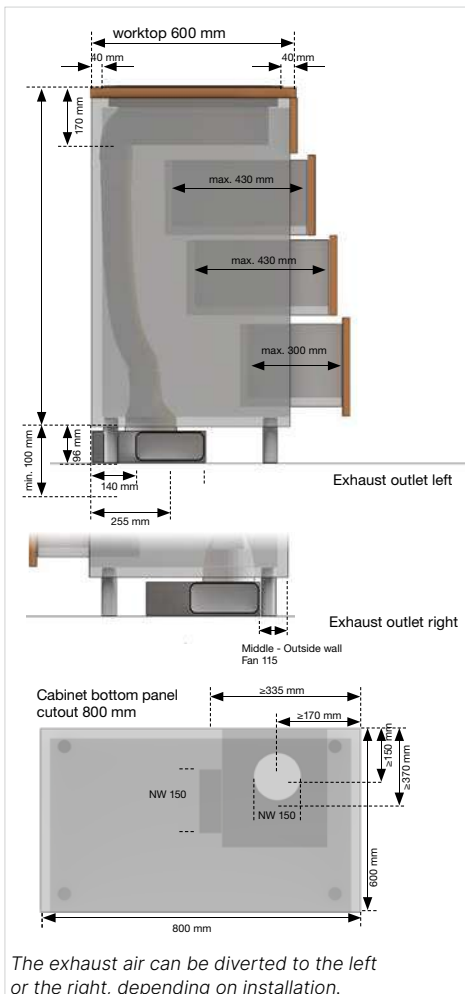
KMI 9850.0 / KMI 9800.0 / KMI 8500.0 / VKM 1820.0

The exhaust air system can be integrated invisibly and space-savingly in the base area of the base cabinet. Depending on the model, the set contains flexible or rigid components and a powerful plinth fan. KMI 9850.0, KMI 9800.0 and VKM 1820.0 contain components as shown in Figures a, b, d, e and f, KMI 8500.0 contains a, b, c, d and e.

Installation schematic: exhaust duct





























Installation variant: worktop deep 600 mm*



* only for model KMI 8500.0 with flexible air exhaust system (Fig. c)







ALL FUNCTIONS AT A GLANCE.

	BP 6850.0 B 6850.0	BP 6550.0 B 6550.0	BP 6381.0	BP 6350.0 B 6350.0	BD 6340.0	BP 6332.0	B 9330.0	B 6330.0	B 6120.0	CBP 6550.0	CBD 6550.0	CBP 6332.0	CBM 6550.0	CBM 6350.0	CBM 6330.0	CB 6350.0
Oven functions																
 Top/bottom heat	•	•	•	•	•	•	•	•	•	•	•	•	•	•	•	•
 Top heat	•	•	•	•						•	•		•	•		•
 Bottom heat	•	•	•	•	•		•	•	•	•	•		•	•	•	•
 Hot air	•	•	•	•	•	•	•	•	•	•	•	•	•	•	•	•
 ECO	•	•	•	•	•	•		•	•	•	•	•	•	•	•	•
 Intensive hot-air convection	•	•	•	•						•	•		•	•		•
 Top/bottom heat with fan	•	•			•		•			•	•		•		•	
 Pizza mode	•	•	•	•	•	•	•	•	•	•	•	•	•	•	•	•
 Small grill	•	•	•	•		•	•	•	•	•	•	•	•	•		•
 Large-area grill	•	•	•	•	•	•	•	•	•	•	•	•	•	•	•	•
 Grill/bottom heat	•	•					•			•	•		•			
 Grill roasting (small grill with fan)	•	•			•			•	•	•	•		•			
 Turbo fan grilling (large-area grill with fan)	•	•	•	•						•	•		•	•	•	•
 Grill roasting + bottom heat	•	•								•	•	•	•			
Special functions																
 Defrost	•	•				•	•	•	•	•	•	•	•			
 Slow cook	•	•								•	•		•			
 Keep warm	•	•								•	•		•			
 Freezer food	•	•								•	•		•			
 Plate warming	•															
 Au gratin	•	•								•	•		•			
 Conserve	•	•								•	•		•			
 Drying	•	•								•	•		•			
 Baking bread	•	•								•	•		•			
 Fermenting	•															
 Yoghurt function	•											•				
 Pizza function						•						•				









ALL FUNCTIONS AT A GLANCE.

	CBD 6550.0	BD 6340.0
--	------------	-----------

Steam functions





	Sous-vide cooking	•	
	Combined steam cooking with hot air / top/ bottom heat	•/-	•/•
	Steam cooking	•	•
	Vario steam cooking	•	
	Regenerating (manual)	•	•
	Regenerating (auto)	•	

Special steam functions

	Defrost with steam	•	
	Sterilising	•	
	Steam shot (auto)	•	
	Disinfecting	•	
	Melting	•	
	Warm damp cloth	•	
	Keeping warm with steam	•	
	Steam cleaning	•	

	CBM 6550.0	CBM 6350.0	CBM 6330.0	CM 6330.0	CMK 6120.0	ML/MR 6330.0	M 6120.0
--	------------	------------	------------	-----------	------------	--------------	----------

Microwave functions

	Microwave	•	•	•	•	•	•
	Add microwave function to every oven function	•	•				
	Microwave + grill			•	•	•	•
	Microwave + True fan			•	•		

TECHNICAL DATA. OVENS.

Design Models	Ovens. Pyrolysis					Ovens. Steamer
	BP 6850	BP 6550	BP 6381	BP 6350	BP 6332	BD 6340
Black / White / Graphite / BlackMatt	• / - / - / -	• / • / - / -	• / - / - / -	• / - / • / -	• / - / - / •	• / - / - / •
Individual Plus	•	•	•	•	•	•
Energy-efficiency classes and energy consumption						
Energy-efficiency class	A+	A+	A+	A+	A+	A+
Energy consumption at function ECO / hot air in kWh	0,68	0,68	0,68	0,68	0,68	0,68
Features						
TFT Touch Display / TFT-Display	• / -	- / •	- / •	- / •		
LCD-Display						
Electronic timer with indication of date / daytime display / oven programming	• / • / •	• / • / •	- / • / •	- / • / •	- / • / -	- / • / -
White Display / Red Display	• / -	• / -	• / -	• / -	• / -	• / -
Graphic / Clear text display	• / •	• / •	• / -	• / -		
K-Connect			•			
Pizza function					•	
Oven functions	14	14	10	10	6	7
Oven special functions	11	8			2	
Steam functions / Special steam functions						3
Multilevel-Timer	•					
Recipes	•					
Inverter technology						
Automatic programmes	over 80	over 40	10	10		
Favorite programmes	56	20				
Electronic / mechanic oven control	• / -	• / -	• / -	• / -	- / •	- / •
Max. temperature setting in °C	270*	270*	270*	270*	250**	270
Control by TFT-Touch / Sensor touch control / knobs	• / - / -	- / • / -	- / - / •	- / - / •	- / - / •	- / - / •
Aluminium control knobs			•	•	•	•
Plastic knobs						
Roasting thermometer	•	•				
Actual temperature indication and temperature recommendation	•	•	•	•		
Rapid heating	•	•	•	•	•	
Door contact switch	•	•	•	•	•	•
Childproof lock	•	•	•	•		
Full glass inner door with stainless steel frame / Full glass inner door	- / •	- / •	- / •	- / •	- / •	- / •
Number of door glasses	4	4	4	4	4	4
Drop-down large area grill						
Oven cavity capacity in litres	70	70	70	70	70	70
Interior oven dimensions in mm (W x H x D)	475 x 364 x 402	475 x 364 x 402	475 x 364 x 402	475 x 364 x 402	475 x 364 x 402	475 x 364 x 402
LED lighting						
Halogen lighting	•	•	•	•		•
Lighting					•	
Eco mode / Demo mode / Stand-by mode	• / • / •	• / • / •	- / • / -	- / • / -		
Cleaning						
ökoEmail+ coating	•	•	•	•	•	•
Pyrolytic cleaning	•	•	•	•	•	
Steam cleaning						
ökotherm® catalytic converter	•	•	•	•	•	•
ökoClean function					•	•
Standard accessories						
Enamel baking tray	1	1	1	1	1	1
Universal/deep tray enamel / glass	1 / -	1 / -	1 / -	1 / -	1	
Roasting grid	1	1	1	1	1	1
Steam set						1
Telescopic glide-out shelf (full glide-out / standard glide-out)	1 / 1	- / 1			- / 1	- / 1
Technical data						
Total connected load in kW	3,6	3,6	3,6	3,6	3,6	3,6
Voltage (V)	220 - 240	220 - 240	220 - 240	220 - 240	220 - 240	220 - 240
Frequency in Hz	50 - 60	50 - 60	50 - 60	50 - 60	50 - 60	50-60
Length of connection cable in metres	1,5	1,8	1,8	1,8	1,5	1,5
Ready to plug in	•	•	•	•	•	•
Dimensions in mm						
Niche (width x height x depth)	560 x 590 x 550	560 x 590 x 550	560 x 590 x 550	560 x 590 x 550	560 x 590 x 550	560 x 590 x 550

TECHNICAL DATA. OVENS.

Design Models	Ovens.					
	B 9330	B 6850	B 6550	B 6350	B 6330	B 6120
Black / White / Graphite / BlackMatt	• / - / - / -	• / - / - / -	• / - / - / -	• / - / - / -	• / - / - / -	• / - / - / -
Individual Plus	•	•	•	•	•	•
Energy-efficiency classes and energy consumption						
Energy-efficiency class	A	A+	A+	A+	A+	A+
Energy consumption at function ECO / hot air in kWh	0,80	0,68	0,68	0,68	0,68	0,68
Features						
TFT Touch Display / TFT-Display		• / -	- / •	- / •		
LCD-Display						•
Electronic timer with indication of date / daytime display / oven programming	- / • / -	• / • / •	• / • / •	- / • / •	- / • / -	- / • / -
White Display / Red Display	• / -	• / -	• / -	• / -	• / -	• / -
Graphic / Clear text display		• / •	• / •	• / -		
K-Connect						
Pizza function						
Oven functions	8	14	14	10	8	8
Oven special functions	1	11	8		1	1
Steam functions / Special steam functions						
Multilevel-Timer		•				
Recipes		•				
Inverter technology						
Automatic programmes		over 80	over 40	10		
Favorite programmes		56	20	1		
Electronic / mechanic oven control	- / •	• / -	• / -	• / -	- / •	- / •
Max. temperature setting in °C	250	270*	270*	270*	250	250
Control by TFT-Touch / Sensor touch control / knobs	- / - / •	• / - / -	- / • / -	- / - / •	- / - / •	- / - / •
Aluminium control knobs	•			•	•	
Plastic knobs						•
Roasting thermometer		•	•			
Actual temperature indication and temperature recommendation		•	•	•		
Rapid heating	•	•	•	•	•	•
Door contact switch	•	•	•	•	•	•
Childproof lock		•	•	•		
Full glass inner door with stainless steel frame / Full glass inner door	- / •	• / -	• / -	• / -	- / •	- / •
Number of door glasses	3	4	4	4	3	2
Drop-down large area grill			•	•		
Oven cavity capacity in litres	77	70	70	70	70	70
Interior oven dimensions in mm (W x H x D)	639 x 318 x 380	475 x 364 x 402	475 x 364 x 402	475 x 364 x 402	475 x 364 x 402	475 x 364 x 402
LED lighting						
Halogen lighting	•	•	•	•		
Lighting					•	•
Eco mode / Demo mode / Stand-by mode		• / • / •	• / • / •	- / • / -		
Cleaning						
ökoEmail+ coating	•	•	•	•	•	•
Pyrolytic cleaning						
Steam cleaning						
ökotherm® catalytic converter	•	•	•	•	•	•
ökoClean function	•				•	•
Standard accessories						
Enamel baking tray	1	1	1	1	1	1
Universal/deep tray enamel / glass	1 / -	1 / -	1 / -	1 / -		
Roasting grid	1	1	1	1	1	1
Steam set						
Telescopic glide-out shelves (full glide-out / standard glide-out)	1 / 1	1 / 1	- / 1			
Technical data						
Total connected load in kW	3,5	3,6	3,6	3,6	3,6	3,6
Voltage (V)	220 - 240	220 - 240	220 - 240	220 - 240	220 - 240	220 - 240
Frequency in Hz	50-60	50 - 60	50-60	50-60	50-60	50-60
Length of connection cable in metres	1,2	1,5	1,5	1,5	1,5	1,5
Ready to plug in	•	•	•	•	•	•
Dimensions in mm						
Niche (width x height x depth)	860 x 475 x 550	560 x 590 x 550	560 x 590 x 550	560 x 590 x 550	560 x 590 x 550	560 x 590 x 550

TECHNICAL DATA. COMPACT.

Design Models	Ovens. Steamer.	Ovens. Microwaves			
	CBD 6550	CBM 6550	CBM 6350	CBM 6330	CMK 6120
Black / White / Graphite / BlackMatt	• / • / - / -	• / • / - / -	• / - / • / -	• / - / - / •	• / - / - / -
Individual Plus	•	•	•	•	
Energy-efficiency classes and energy consumption					
Energy-efficiency class	A+				
Energy consumption at function ECO / hot air in kWh	0,59				
Features					
TFT Touch Display / TFT-Display	- / •	- / •	- / •		
LCD-Display					•
Electronic timer with indication of date / daytime display / oven programming	• / • / •	• / • / •	- / • / •	- / • / -	- / • / -
White Display / Red Display	• / -	• / -	• / -	• / -	• / -
Graphic / Clear text display	• / •	• / •	• / -		- / -
K-Connect					
Pizza function					
Oven functions	14	14	10	8	3
Oven special functions	8	8			
Steam functions / Special steam functions	6 / 9				
Multilevel-Timer					
Microwave-solo-function		•	•	•	•
Combined microwave function		•	•		•
Microwave output (W) / Microwave output levels		1000 / 10	1000 / 10	1000 / 5	1000 / 6
Recipes					
Inverter technology		•	•		
Automatic programmes	over 40	over 40	10		
Favorite programmes	20	20			
Electronic / mechanic oven control	• / -	• / -	• / -	- / •	- / •
Max. temperature setting in °C	270*	270*	270*	250	250*
Control by TFT-Touch / Sensor touch control / knobs	- / • / -	- / • / -	- / - / •	- / - / •	- / - / •
Aluminium control knobs			•	•	
Plastic knobs					•
Roasting thermometer	•	•			
Actual temperature indication and temperature recommendation	•	•	•		
Rapid heating	•	•	•		
Door contact switch	•	•	•	•	
Childproof lock	•	•	•	•	•
Full glass inner door with stainless steel frame / Full glass inner door / Microwave metallic cavity	- / • / -	- / - / •	- / - / •	- / - / •	- / - / •
Number of door glasses	4	3	3	3	3
Drop-down large area grill					
Oven cavity capacity in litres	43	43	43	43	38
Interior oven dimensions in mm (W x H x D)	475 x 229 x 402	475 x 232 x 365	475 x 232 x 365	475 x 232 x 365	420 x 210 x 390
LED lighting					
Halogen lighting	•	•	•	•	•
Lighting					
Eco mode / Demo mode / Stand-by mode	• / • / •	• / • / •	- / • / -		
Cleaning					
ökoEmail+ coating	•	•	•	•	
Pyrolytic cleaning					
Steam cleaning	•				
ökotherm® catalytic converter	•	•	•	•	
ökoClean function					
Standard accessories					
Enamel baking tray	1				
Universal/deep tray enamel / glass	1 / -	- / 1	- / 1	- / 1	- / 1
Roasting grid	1	1	1	1	1
Steam set	1				
Telescopic glide-out shelves (full glide-out / standard glide-out)					
Technical data					
Total connected load in kW	3,4	3,4	3,4	3,4	3,4
Voltage (V)	220 - 240	220 - 240	220 - 240	220 - 240	
Frequency in Hz	50-60	50-60	50-60	50	
Length of connection cable in metres	1,5	1,5	1,5	1,5	
Ready to plug in	•	•	•	•	•
Dimensions in mm					
Niche (width x height x depth)	560 x 450 x 550	560 x 450 x 550	560 x 450 x 550	560 x 450 x 550	560 x 450 x 550

* 300°C with grill function

TECHNICAL DATA. COMPACT.

Design Models	Ovens. Pyrolysis.		Oven	Microwaves.		
	CBP 6550	CBP 6332	CB 6350	CM 6330.0	MR / ML 6330.0	M 6120.0
Black / White / Graphite / BlackMatt	• / • / - / -	• / - / - / -	• / - / - / -	• / - / - / -	• / • / • / •	• / • / - / -
Individual Plus	•	•	•	•	•	
Energy-efficiency classes and energy consumption						
Energy-efficiency class	A+	A+	A+			
Energy consumption at function ECO / hot air in kWh	0,59	0,59	0,59			
Features						
TFT Touch Display / TFT-Display	- / •		- / •			
LCD-Display						
Electronic timer with indication of date / daytime display / oven programming	• / • / •	- / • / -	- / • / •	- / • / -	- / • / -	- / • / •
White Display / Red Display	• / -	• / -	• / -	• / -	• / -	• / -
Graphic / Clear text display	• / •		• / -	- / -	- / -	- / -
K-Connect						
Pizza function		•				
Oven functions	14	6	10	1		
Oven special functions	8	2				
Steam functions / Special steam functions						
Multilevel-Timer						
Microwave-solo-function				•	•	•
Combined microwave function				•	•	•
Microwave output (W) / Microwave output levels				1000 / 5	850 / 5	750 / 5
Recipes						
Inverter technology						
Automatic programmes	over 40		10		14	3
Favorite programmes	20					
Electronic / mechanic oven control	• / -	- / •	• / -	- / •	• / -	• / -
Max. temperature setting in °C	270*	250**/**	270*	250*	270*	270*
Control by TFT-Touch / Sensor touch control / knobs	- / • / -	- / • / •	- / - / •	- / - / •	- / - / •	- / • / -
Aluminium control knobs		•	•	•	•	•
Plastic knobs						
Roasting thermometer	•					
Actual temperature indication and temperature recommendation	•		•			
Rapid heating	•	•	•			
Door contact switch	•	•	•	•		•
Childproof lock	•	•	•		•	•
Full glass inner door with stainless steel frame / Full glass inner door / Microwave metallic cavity	- / • / -	- / • / -	- / • / -	- / - / •	- / - / •	- / - / •
Number of door glasses	4	4	4	2	2	2
Drop-down large area grill						
Oven cavity capacity in litres	44	44	44	44	22	18
Interior oven dimensions in mm (W x H x D)	475 x 229 x 402	475 x 229 x 402	475 x 229 x 402	475 x 232 x 400	350 x 220 x 280	305 x 210 x 280
LED lighting						
Halogen lighting	•	•	•	•		
Lighting					•	•
Eco mode / Demo mode / Stand-by mode	• / • / •	• / - / -	• / • / -			
Cleaning						
ökoEmail+ coating	•	•	•	•		
Pyrolytic cleaning	•	•				
Steam cleaning						
ökotherm® catalytic converter	•	•	•			
ökoClean function		•	•			
Standard accessories						
Enamel baking tray	1	1	1			
Universal/deep tray enamel / glass	1 / -	1 / -	1 / -			
Roasting grid	1	1	1	1	1	1
Steam set						
Telescopic glide-out shelf (full glide-out / standard glide-out)		- / •				
Technical data						
Total connected load in kW	2,9	2,9	3,0	3,2	2,5	1,2
Voltage (V)	220-240	220-240	220-240	220-240	220-240	220-240
Frequency in Hz	50 - 60	50 - 60	50 - 60	50	50	50
Length of connection cable in metres	1,5	1,5	1,5	1,5	1,5	1,1
Ready to plug in	•	•	•	•	•	•
Dimensions in mm						
Niche (width x height x depth)	560 x 450 x 550	560 x 450 x 550	560 x 450 x 550	560 x 450 x 550	568 x 380/390 x 320	560 x 380 x 325

* 300°C with grill function ** 340°C with pizza function

TECHNICAL DATA. COMPACT APPLIANCES.

	Kaffee. Vollautomaten
Design Models	CKV 6800
Black / White / Graphite / BlackMatt	• / • / - / •
Individual Plus	•
Energy-efficiency classes and energy consumption	
Energy-efficiency class	A
Energy consumption per year	0,62
Features	
TFT Touch Display / TFT-Display	• / -
LCD Display	-
Digital display	
White display / red display	
Graphic / Clear text display	• / •
Pre-set time	•
Adjustable cupsize	5
Milk functions	6
Boiling pressure	15 bar
Dispenser for 1 or 2 cups	•
Hot water function	•
Removable milk container	•
Water container removable from the front	•
Suitable for use with coffee beans / coffee powder	• / •
Suitable for use with coffee pads / capsules	- / -
Electronic / mechanic oven control	• / -
Control by TFT-Touch / Sensor touch control / knobs	• / - / -
Aluminium control knobs illuminated / unlit	
Plastic knobs	
Actual temperature indication	
Height-adjustable coffee dispenser	8,5 - 14 cm
Touch to open	
Childproof lock	
Full glass front	•
Number of door glasses	
Capacity (bottles)	
Capacity in litres	
LED lighting	•
Halogen lighting	
Alarm signal optical / acoustic	• / •
Number of storage place	
Demo mode	
Stand-by mode	•
Cleaning	
Automatic cleaning	•
Decalcification programme	•
Standard accessories	
Milk container	•
Coffee powder spoon	•
Cleaning brush	•
Adapter for coffee pads, powder and capsules	
Technical data	
Total connected load in kW	1,35
Voltage (V)	220-240
Frequency in Hz	50-60
Noise level (dB)	
Length of connection cable in metres	1,3
Ready to plug in	•
Dimensions in mm	
Niche (width x height x depth)	560 × 450 × 550

TECHNICAL DATA. DOWNDRAFTS.

Design Models	Hobs. Downdraft. Induction.					VarioLine. Hobs. Downdraft
	KMI 9850.0	KMI 9800.0	KMI 8590.0	KMI 8560.0	KMI 8500.0	VKM 1820.0
Stainless steel						
Ceramic glass Black / Grey / White / BlackMatt	• / - / - / -	• / - / - / -	• / - / - / -	• / - / - / -	• / - / • / -	• / - / - / -
Stainless steel frame: pre-assembled / enclosed / optional accessory						- / • / -
Frameless / Flush installation	•	•	•	•	•	•
Features						
Mirador™ coating	•	•				
"glideControl / glideControl+"		- / •	- / •	• / -		
"dialControl"						
"selectControl"					•	•
"knobControl"	•					
White display / red display	- / •	- / •	- / •	• / -	- / •	- / •
Autom. cooking f.: melting / keeping warm / pasta cooking	• / • / •	• / • / •	• / • / •	• / • / •		
Autom. cooking f.: poaching / boil down / rice cooking			• / • / -			
Autom. cooking f.: quick boiling / frying / roasting / grilling			- / • / • / •			
Grill function (for FlexiGrill Acc. no. 1303)				•		
Full-surface induction						
Vario Induction				•		
Number of bridge functions / automatic	2 / -	2 / -	2 / -	1 / 1	2 / -	
Chef function						
STOP-AND-GO function (break function)		•	•	•		
Cleaning function						
Number of power settings	4	4	4	4	4	
Pan and pan size detection	•	•	•	•	•	
Childproof lock (sensor lock)	•	•	•	•	•	
Central switch-off		•	•	•	•	•
Switch-off memory						
Holiday shut down device (limiting operation time)	•	•	•	•	•	•
Timer function (minute minder)		•	•	•	•	
Residual heat indicators	•	•	•	•	•	
Automatic booster cooking phase	•	•		•	•	
Features cooking zones						
Number of induction cooking zones	4	4	4	4	4	
Front left	Diameter cm	21 × 19	21 × 19	23.5 × 18.9	21	21 × 19
	Power kW	2.1 / 3.7	2.1 / 3.7	1.75 / 2.2	2.1 / 3.7	1.6 / 1.85
Rear left	Diameter cm	21 × 19	21 × 19	23.5 × 18.9	18	21 × 19
	Power kW	2.1 / 3.7	2.1 / 3.7	1.75 / 2.2	1.8 / 3.0	2.1 / 3.0
Rear right	Diameter cm	21 × 19	21 × 19	22.8 × 20	21 × 19	21 × 19
	Power kW	2.1 / 3.7	2.1 / 3.7	1.75 / 2.0	2.1 / 3.7	1.6 / 1.85
Front right	Diameter cm	21 × 19	21 × 19	22.8 × 20	21 × 19	21 × 19
	Power kW	2.1 / 3.7	2.1 / 3.7	1.75 / 2.0	2.1 / 3.7	2.1 / 3.0
Features cooker hood						
Energy-efficiency class / Energy-efficiency class fan / Energy consumption per year	A / A / 41	A / A / 41	A+ / A / 36	A+ / A / 24	A / A / 41	A / A / 55
Energy-efficiency class grease filter/ grease deposit %	A / 96.5	A / 96.5	B / 89.5	A / 97.7	A / 96.5	A / 96.7
High-power setting / Automatic delay stop	• / •	• / •	• / •	• / •	• / •	• / •
Extraction rate (m3/h) according to guideline EN 61591: min/max/int	210 / 530 / 620	210 / 530 / 620	- / 601 / 627	97 / 435 / 570	210 / 530 / 620	88 / 455 / 551
Noise level (dB) according to guideline EN 60704-2-13: min/max/int	45 / 63 / 68	45 / 63 / 68	43 / 65 / 66	35 / 70 / 74	45 / 63 / 68	31 / 66 / 70
Technical data						
Total connected load in kW (electric)	7.5	7.5	7.4	7.6	7.5	0.1
Voltage in V	230-240	230-240	220-240	230-240	230-240	230-240
Frequency in Hz	50	50	50 / 60	50	50	50
Installation dimensions (in mm)*						
Installation depth	170	170	219	215	170	170
Niche W x D	860 × 500	860 × 500	770 × 490	750 × 500	750 × 500	120 × 490
Appliance dimensions (in mm)						
Flush installation W x D	898 × 518	898 × 518	800 × 510	798 × 518	830 × 515	138 × 518

* Dimensions indicated apply to models with a frame or a beveled edge. For flush-installed hobs please refer to the building-in diagrams

TECHNICAL DATA. HOBS.

Design Models	Hobs. Honeycomb. Induction		Hobs. Induction		
	EWKI 3740.0 W / S	KI 9880.1	KI 8880.1	KI 6880.1	
Stainless steel					
Ceramic glass Black / Grey / White / BlackMatt	• / - / - / -	• / - / - / -	• / - / - / -	• / - / - / -	
Stainless steel frame: pre-assembled / enclosed / optional accessory					
Frameless / Flush installation	•	•	•	•	
Bevelled edge					
Metallic graphics					
Features					
Miradur™ coating					
"glideControl / glideControl+"		- / •	- / •	- / •	
"dialControl"					
"selectControl"					
"knobControl"					
K-Connect		•	•	•	
White display / red display	- / •	- / •	- / •	- / •	
Autom. cooking f.: melting / keeping warm / pasta cooking	- / • / -	• / • / •	• / • / •	• / • / •	
Autom. cooking f.: poaching / boil down / rice cooking		• / • / •	• / • / •	• / • / •	
Autom. cooking f.: quick boiling / frying / roasting / grilling		• / • / • / •	• / • / • / •	• / • / • / •	
Grill function (for FlexiGrill Acc. no. 1303)					
Full-surface induction		•	•	•	
Vario Induction					
Number of bridge functions / automatic		3 / -	2 / -	2 / -	
Chef function		•			
STOP-AND-GO function (break function)	•	•	•	•	
Cleaning function					
Number of power settings	4	6	4	4	
Pan and pan size detection	•	•	•	•	
Childproof lock (sensor lock)	•	•	•	•	
Central switch-off	•	•	•	•	
Switch-off memory					
Holiday shut down device (limiting operation time)	•	•	•	•	
Timer function (minute minder)	•	•	•	•	
Residual heat indicators	•	•	•	•	
Automatic booster cooking phase	•				
Features cooking zones					
Number of induction cooking zones	6	6	4	4	
Front left	Diameter cm	for variable installation: 2 × 20 cm 2 × 2,3 / 3,0 kW 2 × 16 cm 2 × 1,1 / 1,4 kW	26,25 × 19,5	29,65 × 19,75	26,25 × 19,5
	Power kW		2,4-3,7	2,4-3,7	2,4-3,7
Rear left	Diameter cm		26,25 × 19,5	29,65 × 19,75	26,25 × 19,5
	Power kW		2,4-3,7	2,4-3,7	2,4-3,7
Rear centre	Diameter cm		26,25 × 19,5		
	Power kW		2,4-3,7		
Rear right	Diameter cm		25,28 × 19,5	29,65 × 19,75	26,25 × 19,5
	Power kW		1,85 - 2,2	2,4-3,7	2,4-3,7
Front right	Diameter cm		25,28 × 19,5	29,65 × 19,75	26,25 × 19,5
	Power kW		1,85 - 2,2	2,4-3,7	2,4-3,7
Front centre	Diameter cm		26,25 × 19,5		
	Power kW		2,4-3,7		
Grilling surface					
Technical data					
Total connected load in kW (electric)	7,4	11,0	7,4	7,4	
Voltage in V	220-240	220-240	220-240	220-240	
Frequency in Hz	50 / 60	50 / 60	50 / 60	50 / 60	
Length of connection cable in metres		110	110	110	
Installation dimensions (in mm)*					
Installation depth	see building-in diagrams	57	57	57	
Niche W x D		860 × 490	750 × 490	560 × 490	
Appliance dimensions (in mm)					
Bevelled edge or stainless steel frame W x D	see building-in diagrams				
Flush installation W x D		900 × 510	780 × 510	600 × 510	

* Dimensions indicated apply to models with a frame or a bevelled edge. For flush-installed hobs please refer to the building-in diagrams.

TECHNICAL DATA. HOBS.

Design Models	Hobs. Induction						
	KI 9800.1	KI 9800.0	KI 8820.0	KI 8810.0	KI 8800.1	KI 6800.1	
Stainless steel							
Ceramic glass Black / Grey / White / BlackMatt	• / - / - / -	• / - / - / -	• / - / - / -	• / - / - / -	• / - / - / -	• / - / - / -	
Stainless steel frame: pre-assembled / enclosed / optional accessory	- / - / -	- / - / -	- / - / •	- / - / •	- / - / •	- / - / •	
Frameless / Flush installation	•	•	•	•	•	•	
Bevelled edge							
Metallic graphics		•					
Features							
Miradur™ coating	•		•		•	•	
"glideControl / glideControl+"	- / •	- / •	• / -		- / •	- / •	
"dialControl"							
"selectControl"							
"knobControl"				•			
K-Connect							
White display / red display	• / -	• / -	• / -	- / •	• / -	• / -	
Autom. cooking f.: melting / keeping warm / pasta cooking	• / • / •	• / • / •	- / • / -	- / • / -	• / • / •	• / • / •	
Autom. cooking f.: poaching / boil down / rice cooking							
Autom. cooking f.: quick boiling / frying / roasting / grilling							
Grill function (for FlexiGrill Acc. no. 1303)	•	•	•		•	•	
Full-surface induction	•	•	•	•	•	•	
Vario Induction							
Number of bridge functions / automatic	3 / 3	2 / 2	3 / -	2 / -	2 / 2	2 / 2	
Chef function			•				
STOP-AND-GO function (break function)	•	•	•	•	•	•	
Cleaning function							
Number of power settings	6	4	6	4	4	4	
Pan and pan size detection	•	•	•	•	•	•	
Childproof lock (sensor lock)	•	•	•	•	•	•	
Central switch-off	•	•	•		•	•	
Switch-off memory	•	•	•		•	•	
Holiday shut down device (limiting operation time)	•	•	•	•	•	•	
Timer function (minute minder)	•	•	•		•	•	
Residual heat indicators	•	•	•	•	•	•	
Automatic booster cooking phase	•	•	•	•	•	•	
Features cooking zones							
Number of induction cooking zones	6	4	6	4	4	4	
Front left	Diameter cm	21 × 19	21 × 19	21 × 19	21 × 19	21 × 19	21 × 19
	Power kW	2,1 / 2,6 / 3,7	2,1 / 2,6 / 3,7	1,6 / 1,85	2,1 / 3,0	2,1 / 2,6 / 3,7	2,1 / 2,6 / 3,7
Rear left	Diameter cm	21 × 19	21 × 19	21 × 19	21 × 19	21 × 19	21 × 19
	Power kW	2,1 / 2,6 / 3,7	2,1 / 2,6 / 3,7	2,1 / 3,0	1,6 / 1,85	2,1 / 2,6 / 3,7	2,1 / 2,6 / 3,7
Rear centre	Diameter cm	21 × 19		21 × 19			
	Power kW	2,1 / 2,6 / 3,7		1,6 / 1,85			
Rear right	Diameter cm	21 × 19	21 × 19	21 × 19	21 × 19	21 × 19	21 × 19
	Power kW	2,1 / 2,6 / 3,7	2,1 / 2,6 / 3,7	2,1 / 3,0	2,1 / 3,0	2,1 / 2,6 / 3,7	2,1 / 2,6 / 3,7
Front right	Diameter cm	21 × 19	21 × 19	21 × 19	21 × 19	21 × 19	21 × 19
	Power kW	2,1 / 2,6 / 3,7	2,1 / 2,6 / 3,7	1,6 / 1,85	1,6 / 1,85	2,1 / 2,6 / 3,7	2,1 / 2,6 / 3,7
Front centre	Diameter cm	21 × 19		21 × 19			
	Power kW	2,1 / 2,6 / 3,7		2,1 / 3,0			
Grilling surface							
Technical data							
Total connected load in kW (electric)	11,1	7,4	11,1	7,4	7,4	7,4	
Voltage in V	220-240	220-240	220-240	220-240	220-240	220-240	
Frequency in Hz	50 / 60	50 / 60	50 / 60	50 / 60	50 / 60	50 / 60	
Length of connection cable in metres							
Installation dimensions (in mm)*							
Installation depth	50	52	55	52	50	50	
Niche W x D	860 × 490	890 × 390	750 × 490	750 × 490	750 × 490	560 × 490	
Appliance dimensions (in mm)							
Bevelled edge or stainless steel frame W x D							
Flush installation W x D	900 × 510	908 × 408	800 × 510	798 × 518	800 × 510	600 × 510	

* Dimensions indicated apply to models with a frame or a bevelled edge. For flush-installed hobs please refer to the building-in diagrams.

TECHNICAL DATA. HOBS.

Design Models	Hobs. Induction					
	KI 9560.0	KI 8560.0	KI 6560.0	KI 9550.0	KI 8550.0	KI 6550.0
Stainless steel						
Ceramic glass Black / Grey / White / BlackMatt	• / - / - / -	• / - / - / -	• / - / - / -	• / - / - / -	• / - / - / •	• / - / - / -
Stainless steel frame: pre-assembled / enclosed / optional accessory	- / - / -	- / - / •	- / - / •			
Frameless / Flush installation	•	•	•	•	•	•
Bevelled edge						
Metallic graphics						
Features						
Miradur™ coating						
"glideControl / glideControl+"	• / -	• / -	• / -	- / •	- / •	- / •
"dialControl"						
„dialControl“						
"knobControl"						
K-Connect						
White display / red display	- / •	- / •	- / •	- / •	- / •	- / •
Autom. cooking f.: melting / keeping warm / pasta cooking	- / • / -	- / • / -	- / • / -	• / • / •	• / • / •	• / • / •
Autom. cooking f.: poaching / boil down / rice cooking				• / • / -	• / • / -	• / • / -
Autom. cooking f.: quick boiling / frying / roasting / grilling				• / • / • / •	- / • / • / •	• / • / • / •
Grill function (for FlexiGrill Acc. no. 1303)						
Full-surface induction	•	•	•			
Vario Induction				•	•	•
Number of bridge functions / automatic	2 / -	2 / -	2 / -	1 / -	1 / -	1 / -
Chef function				•	•	•
STOP-AND-GO function (break function)	•	•	•	•	•	•
Cleaning function						
Number of power settings	5	4	4	5	4	4
Pan and pan size detection	•	•	•	•	•	•
Childproof lock (sensor lock)	•	•	•	•	•	•
Central switch-off	•	•	•	•	•	•
Switch-off memory	•	•	•			
Holiday shut down device (limiting operation time)	•	•	•	•	•	•
Timer function (minute minder)	•	•	•	•	•	•
Residual heat indicators	•	•	•	•	•	•
Automatic booster cooking phase	•	•	•			
Features cooking zones						
Number of induction cooking zones	5	4	4	5	4	4
Front left	Diameter cm	21 × 19	21 × 19	21 × 19	22.8 × 20	15
	Power kW	2.1 / 2.5 / 3.0	2.1 / 2.5 / 3.0	2.1 / 2.5 / 3.0	1.75-2	1.2-1.6
Rear left	Diameter cm	21 × 19	21 × 19	21 × 19	22.8 × 20	28
	Power kW	2.1 / 2.5 / 3.0	2.1 / 2.5 / 3.0	2.1 / 2.5 / 3.0	1.75-2	2.1-2.5
Rear centre	Diameter cm	21.5			32	15
	Power kW	2.3 / 3.0			2.5-3.6	1.2-1.6
Rear right	Diameter cm	21 × 19	21 × 19	21 × 19	21.5	22.8 × 20
	Power kW	2.1 / 2.5 / 3.0	2.1 / 2.5 / 3.0	2.1 / 2.5 / 3.0	2.1-3	1.75-2
Front right	Diameter cm	21 × 19	21 × 19	21 × 19	15	22.8 × 20
	Power kW	2.1 / 2.5 / 3.0	2.1 / 2.5 / 3.0	2.1 / 2.5 / 3.0	1.2-1.6	1.75-2
Front centre	Diameter cm					
	Power kW					
Grilling surface						
Technical data						
Total connected load in kW (electric)	10.4	7.4	7.4	10.8	7.2	7.2
Voltage in V	220-240	220-240	220-240	220-240	220-240	220-240
Frequency in Hz	50 / 60	50 / 60	50 / 60	50 / 60	50 / 60	50 / 60
Length of connection cable in metres				110	110	110
Installation dimensions (in mm)*						
Installation depth				53	53	53
Niche W x D	850 × 490	750 × 490	550 × 490	860 × 490	750 × 490	560 × 490
Appliance dimensions (in mm)						
Bevelled edge or stainless steel frame W x D						
Flush installation W x D	898 × 518	798 × 518	598 × 518	900 × 510	800 × 510	600 × 510

* Dimensions indicated apply to models with a frame or a bevelled edge. For flush-installed hobs please refer to the building-in diagrams.

TECHNICAL DATA. HOBS.

Design Models	Hobs. Induction					
	KI 8520.0	KI 6520.0	KI 9330.0	KI 8330.0	KI 6330.0	
Stainless steel						
Ceramic glass Black / Grey / White / BlackMatt	- / - / • / -	- / - / • / -	• / - / - / -	• / - / - / -	• / - / - / -	
Stainless steel frame: pre-assembled / enclosed / optional accessory	- / - / •	- / - / •	- / - / -	- / - / •	- / - / •	
Frameless / Flush installation	•	•	•	•	•	
Bevelled edge						
Metallic graphics						
Features						
Miradur™ coating						
"glideControl / glideControl+"						
"dialControl"			•	•	•	
„dialControl“	•	•				
"knobControl"						
K-Connect						
White display / red display	- / •	- / •	- / •	- / •	- / •	
Autom. cooking f.: melting / keeping warm / pasta cooking	- / • / -	- / • / -	- / • / -	- / • / -	- / • / -	
Autom. cooking f.: poaching / boil down / rice cooking						
Autom. cooking f.: quick boiling / frying / roasting / grilling						
Grill function (for FlexiGrill Acc. no. 1303)						
Full-surface induction						
Vario Induction	•	•				
Number of bridge functions / automatic	1 / -	1 / -				
Chef function						
STOP-AND-GO function (break function)	•	•	•	•	•	
Cleaning function						
Number of power settings	4	4	5	4	4	
Pan and pan size detection	•	•	•	•	•	
Childproof lock (sensor lock)	•	•	•	•	•	
Central switch-off	•	•	•	•	•	
Switch-off memory	•	•	•	•	•	
Holiday shut down device (limiting operation time)	•	•	•	•	•	
Timer function (minute minder)	•	•	•	•	•	
Residual heat indicators	•	•	•	•	•	
Automatic booster cooking phase	•	•	•	•	•	
Features cooking zones						
Number of induction cooking zones	4	4	5	4	4	
Front left	Diameter cm	21 × 19	21 × 19	17.5	21.5	20
	Power kW	2.1 / 2.5 / 3.0	2.1 / 2.5 / 3.0	1.1 / 1.4	2.3 / 3.0	2.3 / 3.0
Rear left	Diameter cm	21 × 19	21 × 19	17.5	17.5	18
	Power kW	1.6 / 1.85	1.6 / 1.85	1.4 / 2.0	1.1 / 1.4	1.1 / 1.4
Rear centre	Diameter cm			26.5		
	Power kW			2.3 / 3.0		
Rear right	Diameter cm	22	22	21.5	21.5	22
	Power kW	2.3 / 3.0	2.3 / 3.0	2.3 / 3.0	2.3 / 3.0	2.3 / 3.0
Front right	Diameter cm	18	18	17.5	17.5	16
	Power kW	1.1 / 1.4	1.1 / 1.4	1.1 / 1.4	1.1 / 1.4	1.1 / 1.4
Front centre	Diameter cm					
	Power kW					
Grilling surface						
Technical data						
Total connected load in kW (electric)	7.4	7.4	7.4	7.4	7.4	
Voltage in V	220-240	220-240	220-240	220-240	220-240	
Frequency in Hz	50 / 60	50 / 60	50 / 60	50 / 60	50 / 60	
Length of connection cable in metres						
Installation dimensions (in mm)*						
Installation depth						
Niche W x D	750 × 490	560 × 490	850 × 490	750 × 490	560 × 490	
Appliance dimensions (in mm)						
Bevelled edge or stainless steel frame W x D						
Flush installation W x D	798 × 518	598 × 518	898 × 518	798 × 518	598 × 518	

* Dimensions indicated apply to models with a frame or a bevelled edge. For flush-installed hobs please refer to the building-in diagrams.

TECHNICAL DATA. HOBS.

Design Models	Hobs. Induction	
	KI 8120.0	KI 6130.0
Stainless steel		
Ceramic glass Black / Grey / White / BlackMatt	• / - / - / -	• / - / - / -
Stainless steel frame: pre-assembled / enclosed / optional accessory	- / - / •	• / - / -
Frameless / Flush installation	•	•
Bevelled edge		
Metallic graphics		
Features		
Miradur™ coating		
"glideControl / glideControl+"		- / •
"dialControl"		
„dialControl“	•	
"knobControl"		
K-Connect		
White display / red display	- / •	- / •
Autom. cooking f.: melting / keeping warm / pasta cooking		
Autom. cooking f.: poaching / boil down / rice cooking		
Autom. cooking f.: quick boiling / frying / roasting / grilling		
Grill function (for FlexiGrill Acc. no. 1303)		
Full-surface induction		
Vario Induction		
Number of bridge functions / automatic		
Chef function		
STOP-AND-GO function (break function)		•
Cleaning function		
Number of power settings	4	4
Pan and pan size detection	•	•
Childproof lock (sensor lock)	•	•
Central switch-off	•	•
Switch-off memory		
Holiday shut down device (limiting operation time)	•	•
Timer function (minute minder)	•	•
Residual heat indicators	•	•
Automatic booster cooking phase	•	
Features cooking zones		
Number of induction cooking zones	4	4
Front left	Diameter cm	19
	Power kW	2.3 / 3.0
Rear left	Diameter cm	17
	Power kW	1.1 / 1.4
Rear centre	Diameter cm	
	Power kW	
Rear right	Diameter cm	22
	Power kW	2.3 / 3.0
Front right	Diameter cm	15.5
	Power kW	1.1 / 1.4
Front centre	Diameter cm	
	Power kW	
Grilling surface		
Technical data		
Total connected load in kW (electric)	7.4	7.2
Voltage in V	220-240	220-240
Frequency in Hz	50 / 60	50 / 60
Length of connection cable in metres		110
Installation dimensions (in mm)*		
Installation depth		58
Niche W x D	750 × 490	560 × 490
Appliance dimensions (in mm)		
Bevelled edge or stainless steel frame W x D		605 × 515
Flush installation W x D	798 × 518	600 × 510

* Dimensions indicated apply to models with a frame or a bevelled edge. For flush-installed hobs please refer to the building-in diagrams.

TECHNICAL DATA. HOBS.

Design Models	Hobs. Electronic			
	KE 9350.0	KE 8350.0	KE 6350.0	KE 6130.1
Stainless steel				
Ceramic glass Black / Grey / White / BlackMatt	• / - / - / -	• / - / - / -	• / - / - / -	• / - / - / -
Stainless steel frame: pre-assembled / enclosed / optional accessory	- / - / -	- / - / -	- / - / -	• / - / -
Frameless / Flush installation	•	•	•	
Bevelled edge				
Metallic graphics				

Features				
"glideControl / glideControl+"	• / -	• / -	• / -	
"dialControl"				
"selectControl"				•
"knobControl"				
K-Connect				
White display / red display	- / •	- / •	- / •	- / •
Autom. cooking f.: melting / keeping warm / pasta cooking				
Autom. cooking f.: poaching / boil down / rice cooking				
Autom. cooking f.: quick boiling / frying / roasting / grilling				
Grill function (for FlexiGrill Acc. no. 1303)				
Full-surface induction				
Vario Induction				
Number of bridge functions / automatic				
Chef function				
STOP-AND-GO function (break function)	•	•	•	•
Cleaning function				
Number of power settings				
Topf- und Topfgrößenerkennung				
Childproof lock (sensor lock)	•	•	•	•
Switch-off memory	•	•	•	•
Switch-off memory				
Holiday shut down device (limiting operation time)	•	•	•	•
Timer function (minute minder)	•	•	•	•
Residual heat indicators	•	•	•	•
Automatic booster cooking phase				

Features cooking zones					
Number of cooking zones		5	4	4	4
Front left	Diameter cm	14,5	14,5	21 / 18 / 12	21 / 18 / 12
	Power kW	1,2	1,2	2,3 / 1,6 / 0,8	2,3 / 1,06 / 0,8
Rear left	Diameter cm	18 / 12	21 / 18 / 12	14,5	14,5
	Power kW	1,7 / 0,7	2,3 / 1,6 / 0,8	1,2	1,2
Rear centre	Diameter cm	27 / 21 / 14,5	-	-	
	Power kW	2,7 / 1,95 / 1,05	-	-	
Rear right	Diameter cm	16	26,5 × 17 / 17	26,5 × 17 / 17	26,5 × 17 / 17
	Power kW	1,5	2,2 / 1,4	2,2 / 1,4	2,4 / 1,4
Front right	Diameter cm	18	18	14,5	14,5
	Power kW	1,8	1,8	1,2	1,2
Front centre	Diameter cm				
	Power kW				
Grilling surface					

Technical data				
Total connected load in kW (electric)	8,9	7,5	6,9	6,9
Voltage in V	220-240	220-240	220-240	220-240
Frequency in Hz	50 / 60	50 / 60	50 / 60	50 / 60
Length of connection cable in metres				1,1

Installation dimensions (in mm)*					
Installation depth					
Niche W x D		860 × 490	750 × 490	560 × 490	560 × 490

Appliance dimensions (in mm)					
Bevelled edge or stainless steel frame W x D					605 × 515
Flush installation W x D		900 × 510	800 × 510	600 × 510	

* Dimensions indicated apply to models with a frame or a bevelled edge. For flush-installed hobs please refer to the building-in diagrams.

TECHNICAL DATA. HOBS.

Design Models	Hobs. Induction. Gas		
	KIG 9850.0	KIG 6850.0	
Stainless steel			
Ceramic glass Black / Grey / White / BlackMatt	• / - / - / -	• / - / - / -	
Stainless steel frame: pre-assembled / enclosed / optional accessory			
Frameless / Flush installation	•	•	
Bevelled edge			
Metallic graphics			
Features gas hobs			
"knobControl"	•	•	
Safety pilot	•	•	
One-hand electric spark ignition	•	•	
Natural gas jets (G20-20 mbar) enclosed	•	•	
Liquid gas jets (G30-50 mbar) / (G30-28-30/37 mbar) enclosed	• / •	• / •	
Features induction hobs			
Mirador™ coating			
„glideControl / glideControl+“	- / •	- / •	
„dialControl“			
„dialControl“			
„knobControl“			
K-Connect			
White display / red display	- / •	- / •	
Autom. cooking f.: melting / keeping warm / pasta cooking	• / • / •	- / • / •	
Autom. cooking f.: poaching / boil down / rice cooking	• / • / -	• / • / -	
Autom. cooking f.: quick boiling / frying / roasting / grilling	• / • / • / •	- / • / • / •	
Grill function (for FlexiGrill Acc. no. 1303)	•	•	
Full-surface induction			
Vario Induction			
Number of bridge functions / automatic	1 / -	1 / -	
Chef function	•	•	
STOP-AND-GO function (break function)	•	•	
Cleaning-Funktion			
Number of power settings	4	2	
Pan and pan size detection	•	•	
Childproof lock (sensor lock)	•		
Central switch-off	•	•	
Switch-off memory			
Holiday shut down device (limiting operation time)	•	•	
Timer function (minute minder)	•	•	
Residual heat indicators	•	•	
Features cooking zones			
Number of cooking zones gas	1	1	
Centre left	Diameter cm	Dual Wok	Dual Wok
	Power kW	6,0	6,0
Number of cooking zones induction	4	2	
Rear left	Diameter cm		
	Power kW		
Rear centre	Diameter cm	21,5	
	Power kW	1,7 - 2,1	
Rear right	Diameter cm	22,8 × 20,0	25,5 × 20,0
	Power kW	1,75 - 2,0	1,75 × 2,0
Front right	Diameter cm	22,8 × 20,0	25,5 × 20,0
	Power kW	1,75 - 2,0	1,75 × 2,0
Front centre	Diameter cm	15	
	Power kW	1,2 - 1,5	
Technical data			
Total connected load in kW (electric)	7,2	3,6	
Total connected load in kW (gas)	6,0	6,0	
Voltage in V	220 - 240	220 - 240	
Frequency in Hz	50 / 60	50 / 60	
Length of connection cable in metres	1,1	1,1	
Installation dimensions (in mm)*			
Installation depth	49	49	
Niche W x D	860 × 490	560 × 490	
Appliance dimensions (in mm)			
Bevelled edge or stainless steel frame W x D			
Flush installation W x D	900 × 510	600 × 510	

* Maßangaben gelten für die Varianten mit Rahmen und Facetten. Bei flächenbündigen Kochfeldern bitte Maßzeichnungen beachten.

TECHNICAL DATA. HOBS.

Design Models	Hobs. Gas			
	KG 9850.0	KG 7850.0	KG 6850.0	KG 6853.0
Stainless steel				
Ceramic glass Black / Grey / White / BlackMatt	• / - / - / -	• / - / - / -	• / - / - / -	• / - / - / -
Stainless steel frame: pre-assembled / enclosed / optional accessory	• / - / -	• / - / -		
Frameless / Flush installation				
Bevelled edge				
Metallic graphics				
Features				
„glideControl / glideControl+“				
"knobControl"	•	•	•	•
Safety pilot	•	•	•	•
One-hand electric spark ignition	•	•	•	•
Natural gas jets (G25-25 mbar) installed				
Natural gas jets (G20-20/25 mbar) installed				
Natural gas jets (G20-20 mbar) enclosed	•	•	•	•
Natural gas jets (G30-30 mbar) enclosed				
Liquid gas jets (G30-50 mbar) / (G30-28-30/37 mbar) enclosed	• / •	• / •	• / •	• / •
Features cooking zones				
Number of cooking zones	5	5	4	3
Front left	Diameter cm	Dual Wok		Dual Wok
	Power kW	4,2	1,4	1,4
Rear left	Diameter cm			
	Power kW		1,75	1,75
Rear centre	Diameter cm			
	Power kW	1,75		
Rear right	Diameter cm			
	Power kW	2,8	2,8	2,8
Front right	Diameter cm			
	Power kW	1,0	1,0	1,4
Front centre	Diameter cm		Dual Wok	
	Power kW	1,4	4,2	
Technical data				
Total connected load in kW (electric)	0,1	0,1	0,1	0,1
Total connected load in kW (gas)	11,15	11,15	6,95	8,4
Voltage in V	220-240	220-240	220 - 240	220 - 240
Frequency in Hz	50/60	50/60	50 / 60	50 / 60
Length of connection cable in metres	1,0	1,0	1,0	1,0
Installation dimensions (in mm)*				
Installation depth	49	49	49	49
Niche W x D	833 x 475	645 x 475	533 x 473	533 x 473
Appliance dimensions (in mm)				
Bevelled edge or stainless steel frame W x D	900 x 510	750 x 510	600 x 510	600 x 510
Flush installation W x D				

*Dimensions indicated apply to models with a frame or a bevelled edge. For flush-installed hobs please refer to the building-in diagrams.

TECHNICAL DATA. HOBS.

Design Models	VarioLine. Hobs. Gas			
	VKGW 3850.0	VKG 3850.0	GKS 3820.0	GWS 3811.0
Stainless steel				
Ceramic glass Black / Grey / White / BlackMatt	• / - / - / -	• / - / - / -	• / - / - / -	• / - / - / -
Stainless steel frame: pre-assembled / enclosed / optional accessory	• / - / -	• / - / -	• / - / -	• / - / -
Frameless / Flush installation				
Bevelled edge				
Metallic graphics				
Features				
"knobControl"	•	•	•	•
Safety pilot	•	•	•	•
One-hand electric spark ignition	•	•	•	•
Natural gas jets (G25-25 mbar) installed				
Natural gas jets (G20-20/25 mbar) installed				
Natural gas jets (G20-20 mbar) enclosed	•	•	•	•
Natural gas jets (G30-30 mbar) enclosed				
Liquid gas jets (G30-50 mbar) / (G30-28-30/37 mbar) enclosed	• / •	• / •	• / •	• / •
Features cooking zones				
Number of gas cooking zones	1	2	2	1
Front left	Diameter cm			
	Power kW			
Rear left	Diameter cm			
	Power kW			
Rear centre	Diameter cm	Dual Wok		
	Power kW	8,0	2,8	1,75
Rear right	Diameter cm			
	Power kW			
Front right	Diameter cm			
	Power kW			
Front centre	Diameter cm			
	Power kW		1,75	3,0
Technical data				
Total connected load in kW (electric)	0,1	0,1	0,1	0,1
Total connected load in kW (gas)	8,0	4,55	4,75	6,0
Voltage in V	220-240	220-240	230-240	230-240
Frequency in Hz	50 / 60	50 / 60	50 / 60	50 / 60
Length of connection cable in metres	1,0	1,0	0,9	0,9
Installation dimensions (in mm)*				
Installation depth	49	49	53	53
Niche W x D	350 × 482	350 × 482	285 × 490	285 × 490
Appliance dimensions (in mm)				
Bevelled edge or stainless steel frame W x D	380 × 510	380 × 510	300 × 520	300 × 520
Flush installation W x D				

*Dimensions indicated apply to models with a frame or a bevelled edge. For flush-installed hobs please refer to the building-in diagrams.

TECHNICAL DATA. HOBS.

Design Models	VarioLine. Hobs. Induction			VarioLine. Hobs. Electronic	
	VKI 3850.0	VKI 3550.0	VKIW 3800.0	VKET 3800.0	VKE 3350.0
Stainless steel					
Ceramic glass Black / Grey / White / BlackMatt	• / - / - / -	• / - / - / -	• / - / - / -	• / - / - / -	• / - / - / -
Stainless steel frame: pre-assembled / enclosed / optional accessory	- / • / -	- / • / -	- / • / -	- / • / -	- / • / -
Frameless / Flush installation	•	•	•	•	•
Bevelled edge					
Metallic graphics					
Features					
„glideControl / glideControl+“	- / •	- / •	• / -		• / -
„dialControl“					
„dialControl“					
„knobControl“				•	
K-Connect					
White display / red display	- / •	- / •	- / •	- / •	- / •
Autom. cooking f.: melting / keeping warm / pasta cooking	- / • / •	• / • / •		- / • / -	
Autom. cooking f.: poaching / boil down / rice cooking	• / • / -				
Autom. cooking f.: quick boiling / frying / roasting / grilling	- / • / • / •				
Grill function (for FlexiGrill Acc. no. 1303)					
Full-surface induction					
Vario Induction					
Number of bridge functions / automatic	1 / -				
Chef function	•				
STOP-AND-GO function (break function)	•				•
Cleaning-Funktion					
Number of power settings	2	2	1		
Pan and pan size detection	•	•	•		
Childproof lock (sensor lock)		•	•		•
Central switch-off	•	•	•		•
Switch-off memory					
Holiday shut down device (limiting operation time)	•	•	•		
Timer function (minute minder)	•	•	•		•
Residual heat indicators	•	•	•		•
Automatic booster cooking phase			•		
Features cooking zones					
Number of cooking zones	2	2	1	1	2
Front left	Diameter cm				
	Power kW				
Rear left	Diameter cm				
	Power kW				
Rear centre	Diameter cm	25,5 × 20	21,5		18 / 12
	Power kW	1,7 / 2,0	2,1 / 3,0	2,45 / 3,0	1,7 / 0,7
Rear right	Diameter cm				
	Power kW				
Front right	Diameter cm				
	Power kW				
Front centre	Diameter cm	25,5 × 20	15		14,5
	Power kW	1,7 / 2,0	1,2 / 1,6		1,2
Grilling surface	Diameter cm				30 × 35
	Power kW				2,4
Technical data					
Total connected load in kW (electric)	3,6	3,6	3,0	2,4	2,9
Voltage in V	220-240	220-240	220-240	220-240	220-240
Frequency in Hz	50 / 60	50 / 60	50 / 60	50 / 60	50 / 60
Length of connection cable in metres					1,1
Installation dimensions (in mm)*					
Installation depth			110	82	62
Niche W x D	280 × 490	280 × 490	340 × 490		270 × 490
Appliance dimensions (in mm)					
Bevelled edge or stainless steel frame W x D	300 × 520	300 × 520	380 × 520		300 × 520
Flush installation W x D	298 × 518	298 × 518	378 × 518		298 × 518

* Dimensions indicated apply to models with a frame or a bevelled edge. For flush-installed hobs please refer to the building-in diagrams.

TECHNICAL DATA. COOKER HOODS.

	Downdraft	Ceiling Canopy Hood	Island Hoods		
	DD 9840.0	DDL 9830.0	DI 3800.0	DI 9340.0	
Design Models					
Stainless steel				•	
Glass and stainless steel	•		•		
Black			•		
BlackMatt					
Grey					
White		•	•		
Individual			•		
Energy-efficiency classes					
Energy-efficiency class / Energy consumption per year	A / 58	A ++ / 34	A / 45	A+ / 43	
Energy-efficiency class: Fan	A	A	A	A	
Energy-efficiency class: Lighting	A	A	A	A	
Energy-efficiency class: Grease filter / Grease filtration rate %	D / 65	C / 77	A / 95	C / 75	
Features					
Sensor touch control / knob control	• / -				
High-power setting	•	•	•	•	
Automatic delay stop	•	•	•		
LED	1	4	2	4	
K-Connect					
Digital display		• at RC	• at RC		
Rim suction	•	•			
Remote control		•	•		
Filter saturation indicator grease filter / charcoal filter	• / •	• / -	• / •		
Number of metal grease filters	2	2	1	3	
Technical data					
Extraction rate in m3/h / dB	min.	160 / 40	317 / 50	115 / 50	300 / 52
	max.	430 / 60	634 / 67	525 / 72	580 / 66
	int.	700 / 70	808 / 74	771 / 78	700 / 69
Connected load in watts		277	227	286	274
Voltage (V)		220-240	220-240	220-240	220-240
Frequency in Hz		50-60	50-60	50	50-60
Length of connection cable in metres approx.		1	1.5	1	1
Minimal clearance above electric hobs			650	650	650
Minimal clearance above gas hobs			1600	750	750
Extraction air connection diameter in mm		150	150		150
Dimensions (appliance dimensions in mm)					
Width		880	900	350	900
Height min.		657	214	600	940
Height max.		1063		2150	1260
Depth		370	600	350	600

TECHNICAL DATA. COOKER HOODS.

Design Models	Chimney Hoods								
	DW 9880.0	DW 8550.0	DW 8540.0	DW 8500.1	DW 9500.0	DW 9350.0	DW 9340.1	DW 6340.1	
Stainless steel							•	•	
Glass and stainless steel	•			•		•			
Black	•		•	•	•				
BlackMatt		•							
Grey	•								
White									
Individual	•				•				
Energy-efficiency classes									
Energy-efficiency class / Energy consumption per year	A+++ / 24	A+ / 40	A / 39	A+ / 44	A+ / 31	A / 56	A+ / 42	A+ / 42	
Energy-efficiency class: Fan	A	A	A	A	A	A	A	A	
Energy-efficiency class: Lighting	A	A	B	A	A	A	A	A	
Energy-efficiency class: Grease filter / Grease filtration rate %	C / 75	C / 76	D / 65	B / 85	A / 98	A / 98	C / 76	C / 76	
Features									
Sensor touch control / knob control	• / -	• / -	• / -	• / -	• / -	- / •			
High-power setting	•	•	•	•	•	•	•	•	
Automatic delay stop	•	•	•	•	•	•	•	•	
LED	1	2	2	2	1 x	1	2	2	
K-Connect	•								
Digital display	•	•	•		•	•			
Rim suction	•	•	•	•					
Remote control									
Filter saturation indicator grease filter / charcoal filter	• / •	• / •	• / •		• / •	• / •			
Number of metal grease filters	2	1	2	2	3	3	3	2	
Technical data									
Extraction rate in m3/h / dB	min.	210 / 39	232 / 47	190 / 52	300 / 48	371 / 38	306 / 54	280 / 50	280 / 50
	max.	625 / 65	411 / 60	400 / 67	620 / 63	650 / 59	586 / 68	600 / 65	600 / 65
	int.	920 / 72	726 / 71	570 / 73	770 / 68	764 / 66	740 / 72	750 / 69	750 / 69
Connected load in watts	172	284	127	252	172	280	272	272	
Voltage (V)	220-240	230	220-240	220 - 240	220-240	220-240	220-240	220-240	
Frequency in Hz	50	50/60	50-60	50-60	50	50	50	50	
Length of connection cable in metres approx.	1	1	1	1	1	1	1	1	
Minimal clearance above electric hobs	300	450	450	450	650	650	650	650	
Minimal clearance above gas hobs	350	450	450	450	750	750	750	750	
Extraction air connection diameter in mm	150	150	150	150	150	150	150	150	
Dimensions (appliance dimensions in mm)									
Width	897	797	800	800	900	900	900	600	
Height min.	1.001	868	450*	832	670	670	730	730	
Height max.	1.331	1.198		1032	1000	1000	1000	1000	
Depth	450	423	225	378	480	480	460	460	

* Height of canopy ** Total height of the hood including chimney set accessory: see product description.

TECHNICAL DATA. COOKER HOODS.

Design Models	Built-in. SlimLine Hoods.					Built-in. Canopy Hoods			
	DEF 9800.0	DEF 6800.0	DEF 9550.0	DEF 6550.0	DEF 6300.0	DEL 9550.0	DEL 8550.0	DEL 6550.0	DEL 5100.0
Stainless steel	•	•	•	•	•	•	•	•	
Glass and stainless steel									•
Black									
BlackMatt									
Grey									
White							•	•	
Individual									

Energy-efficiency classes

Energy-efficiency class / Energy consumption per year	A / 47	A / 47	A / 40	A / 40	A / 26	A+ / 41	A+ / 42	A+ / 42	D / 76
Energy-efficiency class: Fan	A	A	A	A	B	A	A	A	E
Energy-efficiency class: Lighting	A	A	E	E	A	A	A	A	C
Energy-efficiency class: Grease filter / Grease filtration rate %	D / 67	D / 67	D / 67	D / 67	D / 75	E / 65	E / 65	E / 65	C / 76

Features

Sensor touch control / knob control						• / -	• / -	• / -	
High-power setting	•	•	•	•		•	•	•	
Automatic delay stop	•	•	•	•		•	•	•	
LED	1	1	2	2	2	2	2	2	1
K-Connect									
Digital display									
Rim suction						•	•	•	
Remote control									
Filter saturation indicator grease filter / charcoal filter			• / •	• / •					
Number of metal grease filters	4	2	4	2	2	2	1	1	1

Technical data

Extraction rate in m3/h / dB	min.	323 / 53	323 / 53	256 / 46	256 / 46	161 / 57	242 / 54	242 / 54	242 / 54	160 / 53
	max.	498 / 65	498 / 65	537 / 63	537 / 63	226 / 64	425 / 68	425 / 68	425 / 68	303 / 67
	int.	706 / 70	706 / 70	647 / 67	647 / 67	385 / 64	760 / 70	760 / 70	760 / 70	
Connected load in watts		272	272	273	272	113	278	278	278	180
Voltage (V)		230	230	220-240	220-240	220-240	220-240	220-240	220-240	220-240
Frequency in Hz		50	50	50 / 60	50 / 60	50	50/60	50/60	50/60	50
Length of connection cable in metres approx.		1	1	1	1	1	1	1	1	0,8
Minimal clearance above electric hobs		430*	430*	430*	430*	600*	430	430	430	650
Minimal clearance above gas hobs		650*	650*	650*	650*	650*	650	650	650	650
Extraction air connection diameter in mm		150	150	150	150	125*	150	150	150	125

Dimensions (appliance dimensions in mm)

Width	900	600	900	600	600	836	712	532	550
Height min.	273	273	260	260	184	282	282	282	175
Height max.									
Depth	340	340	290-440	290-440	300-490	284	284	284	290

* Special dimensions (Please ignore dimensions indicated in the users instructions)

TECHNICAL DATA. COOLING APPLIANCES.

Design Models	Free-standing-(or built-in) fridge-freezers								
	FKG 6875.1	FKG 9860.1	FKG 9850.0	FKG 9803.0	FKG 9801.0	FKG 7500.1	FKG 6800.0	FKG 6580.0	FKG 6500.0
Stainless steel									
Stainless steel look		•	•	•	•	•	•	•	•
Black / white	• / -	• / -							
Glass									
Individual									
Features									
Energy efficiency class	D	E	E	E	E	D	C	D	E
Airborne acoustical noise emission class	C	B	C	C	C	C	C	C	D
Annual power consumption in kWh	200	306	319	318	306	230	177	200	231
Total capacity in litres	330	516	522	516	513	481	378	360	330
Capacity normal refrigerator section in litres	230	347	343	334	344	344	216	266	247
ChillerZone in litres							40		
Wine cooler capacity (number of bottles)									
Capacity freezer section in litres	100	169	179	182	169	137	122	94	83
Capacity freezer compartment in litres									
Number of stars	****	****	****	****	****	****	****	****	****
Freezing capacity in kg/24h	8	12	13	14	12	8	7,5	8	4
Storage time in case of power failure in h	10	15	16	6	7	14	15	10	9
Climate classification	SN-N-ST-T	SN-N-ST-T	SN-N-ST-T	SN-N-ST-T	SN-N-ST	SN-N-ST-T	SN-N-ST-T	SN-T	N-ST
MultiAirFlow	•	•	•		•	•		•	
FastCooling		•		•	•	•	•	•	•
FastFreezing	•	•	•	•	•	•	•	•	
DefrosteMode / No-Frost-System	• / •	• / •	• / •	• / •	• / •	• / •	• / •	• / •	• / •
Soft Close									
IonClean	•					•			
Internal layout									
Number of VarioShelves / VairoShelves+	4 / -	3 / -	2 / -	4 / -	3 / -	4 / -	3 / -	4 / -	4 / -
Number of wooden shelves									
Number of drawers or baskets	2	2	2	2	2	2	2	2	2
Number of VarioBoxes	2	6	6	3	4	4	3	4	6
Bottle rack	•		•			•	•		
Internal layout freezer section									
Standard operating mode	3	2	4	2	2	3	3	3	3
Temperature display internal / external									
Faults. alarm signal optical / acoustic	2			3	3			2	
Control lamps									
Standard operating mode	•	•	•	•	•	•	•	•	•
Temperature display internal / external	• / -	- / •	- / •	- / •	- / •	- / •	- / •	- / •	- / •
Faults. alarm signal optical / acoustic	- / •	- / •	- / •	- / •	- / •	- / •	- / •	• / •	- / -
Technical data									
Connected load in watts	344	505	356	428	395	391	305	327	340
Voltage (V)	220-240	230	220-240	220-240	220-240	220-240	220-240	220-240	220-240
Frequency in Hz	50	50	50	50	50	50	50	50	50
Length of connection cable in metres	1,5	1,75	1,75	1,75	1,75	1,5	1,75	2,5	1,75
Noise level dB	37	35	39	41	39	41	38	37	43
Appliance dimensions in mm									
Width	605	833	909	897	900	700	595	595	595
Height	1901	1898	1900	1765	1770	1920	2010	2010	2010
Depth	681	653	690	761	660	712	660	650	635
Niche dimensions in mm									
Width									
Height									
Depth									

TECHNICAL DATA. COOLING APPLIANCES.

Design Models	Wine coolers					
	FWK 4800.0	FWK 2800.0	FWK 2852.0	FWK 6862.0	FWKU 1851.0	FWKU 1531.0
Stainless steel						
Stainless steel look						
Black / white						
Glass	•	•	•	•	•	•
Individual	•	•				
Features						
Energy efficiency class	G	G	G	F	F	F
Airborne acoustical noise emission class	C	C	C	C	C	C
Annual power consumption in kWh	170	162	162	101	99	70
Total capacity in litres	204	132	132	83	158	54
Capacity normal refrigerator section in litres						
ökoFresh zone in litres						
Wine cooler capacity (number of bottles)	79	52	38	30	46	17
Capacity freezer section in litres						
Capacity freezer compartment in litres						
Number of stars						
Freezing capacity in kg/24h						
Storage time in case of power failure in h						
Climate classification	SN-N	SN-N	SN-ST	N-ST	N-ST	N
MultiAirFlow						
FastCooling						
FastFreezing						
DefrosteMode / No-Frost-System	• / -	• / -	• / -	• / -	• / -	• / -
Touch to open			•	•		
Internal layout						
Number of VarioShelves / VairoShelves+						
Number of wooden shelves	8 / 1 Presenter	4 / 1 Presenter	4 / 1 Presenter	3	5	4
Number of drawers or baskets						
Number of VarioBoxes						
Control lamps						
Standard operating mode	•	•	•	•	•	•
Temperature display internal / external	• / •	• / •	• / •	• / •	• / •	• / •
Faults. alarm signal optical / acoustic	• / •	• / •	• / •	• / •	• / •	• / •
Technical data						
Connected load in watts	100	100	100	60	75	75
Voltage (V)	220 - 240	220 - 240	220 - 240	220 - 240	220 - 240	220 - 240
Frequency in Hz	50	50	50	50	50	50
Length of connection cable in metres	2,0	2,0	2,0	2,0	1,5	1,5
Noise level dB	39	38	38	37	39	39
Appliance dimensions in mm						
Width	595	536	594	590	595	295
Height	1232	869	887	589	815-855	815-855
Depth	430	507	555	537	570	570
Niche dimensions in mm						
Width	560	560	560	550	600	305
Height	1222	878	878	590	820-890	820-890
Depth	550	550	550	550	575	575

TECHNICAL DATA. COOLING APPLIANCES.

Design Models	Refrigerators. Freezers. Fridge-freezers							
	FKGF 9855.0i	FKGF 9850.0i	FK 8840.1i	FG 8840.1i	FKGF 8851.0i	FKGF 8860.0i	FKG 8540.0i	FKG 8340.0i
Stainless steel								
Stainless steel look								
Black / white								
Glass								
Individual								
Features								
Energy efficiency class	E	E	E	E	E	E	E	E
Airborne acoustical noise emission class	C	C	C	C	C	C	C	B
Annual power consumption in kWh	250	232	114	239	234	224	224	225
Total capacity in litres	341	267	309	220	244	254	262	271
Capacity normal refrigerator section in litres	222	174	309		151	185	193	193
ChillerZone in litres	35	26			26			
Wine cooler capacity (number of bottles)								
Capacity freezer section in litres	84	67		220	67	69	69	78
Capacity freezer compartment in litres								
Number of stars	4	4		4	4	4	4	4
Freezing capacity in kg/24h	4	3		10	3	3,2	3,2	3,6
Storage time in case of power failure in h	10	10		13	11	13	13	20
Climate classification	ST	ST	SN-T	SN-ST	ST	SN-T	SN-ST	SN-ST
MultiAirFlow						•		
FastCooling	•	•			•	•	•	•
FastFreezing	•	•		•	•	•	•	
DefrosteMode / No-Frost-System	• / •	• / •	- / -	- / •	• / •	• / •	• / •	• / -
Soft Close								
IonClean								
Höhenverstellbare Füße vorne/ hinten	• / -	• / -	• / •	• / •	• / -	• / •	• / •	• / •
Transportrollen vorne/ hinten								
Internal layout								
Number of VarioShelves / VairoShelves+	4	3	4		3	2	3	3
Number of wooden shelves								
Number of drawers or baskets	2	2	2		2	2	2	2
Number of VarioBoxes	4	4	5		3	3	3	4
Bottle rack	•	•	•		•	•	•	•
Internal layout freezer section								
Standard operating mode	3	3		6	3	3	3	3
Temperature display internal / external								
Faults. alarm signal optical / acoustic				2				
Control lamps								
Standard operating mode	•	•	•	•	•	•	•	•
Temperature display internal / external	• / -	• / -	• / -	• / -	• / -	• / -	• / -	• / -
Faults. alarm signal optical / acoustic	- / •	- / •	- / •	- / •	- / •	- / •	- / •	- / •
Technical data								
Connected load in watts	195	170	110	110	165	125	125	125
Voltage (V)	220-240	220-240	220-240	220-240	220-240	220-240	220-240	220-240
Frequency in Hz	50	50	50	50	50	50	50	50
Length of connection cable in metres	2,0	2,0	1,9	2,15	1,8	1,9	2,15	2,15
Noise level dB	41	41	36	39	41	38	38	35
Appliance dimensions in mm								
Width	690	540	540	540	540	540	540	540
Height	1937	1937	1775	1775	1769	1775	1775	1775
Depth	550	550	545	545	550	545	545	545
Weight incl. packaging	90	67,5	60	68	65	66	62,3	61
Niche dimensions in mm								
Width	712	560	560	560	562	560	560	560
Height	1942	1942	1788	1788	1774	1788	1788	1788
Depth	560	560	555	555	560	555	555	555

TECHNICAL DATA. COOLING APPLIANCES.

Design Models	Refrigerators				Fridge Built-under.
	FK 4545.0i	FK 4540.0i	FK 2545.0i	FK 2540.0i	FKU 1540.0i
Stainless steel					
Stainless steel look					
Black / white					
Glass					
Individual					
Features					
Energy efficiency class	E	E	E	E	E
Airborne acoustical noise emission class	B	B	B	A	B
Annual power consumption in kWh	152	100	141	92	92
Total capacity in litres	175	198	110	126	128
Capacity normal refrigerator section in litres	156	198	97	126	128
ChillerZone in litres					
Wine cooler capacity (number of bottles)					
Capacity freezer section in litres					
Capacity freezer compartment in litres	19		13		
Number of stars			4		
Freezing capacity in kg/24h	2		2.6		
Storage time in case of power failure in h	16		9		
Climate classification	SN-ST	SN-ST	SN-T	SN-T	SN-T
MultiAirFlow					
FastCooling					
FastFreezing					
DefrosteMode / No-Frost-System	• / -	• / -	• / -	• / -	• / -
Soft Close					
IonClean					
Height adjustable stands front/ rear	• / •	• / •	• / -	• / -	• / -
Transport wheels front/ rear					
Internal layout					
Number of VarioShelves / VairoShelves+	4	4	2	3	3
Number of wooden shelves					
Number of drawers or baskets	1	2	1	1	
Number of VarioBoxes	4	4	3	3	2
Bottle rack	•	•			
Internal layout freezer section					
Standard operating mode					
Temperature display internal / external					
Faults. alarm signal optical / acoustic					
Control lamps					
Standard operating mode	•	•	•	•	•
Temperature display internal / external	- / -	- / -	- / -	- / -	- / -
Faults. alarm signal optical / acoustic	- / -	- / -	- / -	- / -	- / -
Technical data					
Connected load in watts	65	70	65	75	65
Voltage (V)	220-240	220-240	230	230	230
Frequency in Hz	50	50	50	50	50
Length of connection cable in metres	2.15	2.15	2.15	2.15	1.93
Noise level dB	35	35	35	29	35
Appliance dimensions in mm					
Width	540	540	545	545	595
Height	1215	1215	866	866	818
Depth	545	545	545	545	545
Weight incl. packaging	42	42	34	33	33
Niche dimensions in mm					
Width	560	560	560	560	600
Height	1228	1228	880	880	820
Depth	555	555	560	560	575

TECHNICAL DATA. DISHWASHERS.

Design Models	Dishwasher 60 cm XXL	G 6805.1	Dishwasher 60 cm		Dishwasher 45 cm	Freestanding dishwasher
	GX 6500.0		G 6500.0	G 6300.0	G 4800.1	G 6580.0
Fully-integrated / Integrated / freestanding	• / - / -	• / - / -	• / - / -	• / - / -	• / - / -	- / - / •
Control panel design stainless steel / design black	- / •	• / -	- / •	- / •	- / •	• / -
Energy-efficiency classes and energy consumption						
Energy efficiency class	E	D	E	E	C	D
Airborne acoustical noise emission class / Noise emission dB (A)	B / 43	B / 40	B / 43	C / 46	C / 45	B / 42
Energy consumption per 100 rinse cycles in the ECO test programme in kWh	97	86	97	97	72	86
Water consumption per wash cycle in the ECO test programme in litres	9,5	9,9	9,5	9,5	8,9	9,0
Programme duration in the ECO test programme in h	4:05	4:39	4:05	4:05	3:40	4:30
Cleaning programmes						
Number of programmes	9	8	9	7	9	8
Temperature intensive programme °C	70	70	70	70	70	60-70
Temperature delicate programme °C	40	40	40		40	-
Temperature Automatic programme °C	40-65	40-65	40-65	40-65	40-65	30-70
Temperature economy programme °C	50	50	50	50	50	50
Temperature fast programme °C	35	35	35	35	35	35
1h programme	60	60	60	60	60	65
Flextronic programme	•	•	•		•	
Machine care programme	•		•	•	•	
Pre-rinse	•	•	•	•	•	
Special functions						
IonClean		• / -				- / •
express system	•	•	•	•	•	•
Half load option	•	•	•	•	•	•
IntensiveClean	•	•	•	•	•	
IntensiveDry		•		•		
IntensiveRinse	•	•	•		•	
Features						
K-Connect						•
Capacity (place settings)	15	15	15	15	10	15
LED display	•	•	•	•	•	•
Water Safety System	•	•	•	•	•	•
aquasensor	•	•	•	•		•
Glass protection system	•	•	•		•	•
Tab-Automatic	•	•	•	•	•	•
Bright Light		•			•	•
Beam on Floor	•	•	•	•		
Electronic time preselection 24h	•	•	•	•	•	•
Operation with pushbuttons	•	•	•	•	•	
Electronic refi II display for salt and rinse aid	•	•	•	•	•	•
Acoustic signal at end of programme	•	•	•	•	•	•
Antibacterial filter						•
ProSmart Inverter Motor	•	•	•	•		
multiflex baskets III / II / I	- / • / -	• / - / -	- / • / -	- / - / •	- / • / -	
multiflex drawer II / I	• / -	• / -	• / -	- / •	- / •	
Height-adjustable top basket also with load	•	•	•	•	•	•
Interior container Stainless Steel / ground Stainless Steel	•	•	•	•	•	•
Technically suitable for elevated installation	•	•	•	•	•	
Technical data						
Connected load in kW	2,1	2,1	2,1	2,1	2,1	2,0
Voltage (V)	220	220	220	220	220	220-240
Frequency in Hz	50	50	50	50	50	50
Noise level in dB (re 1 pW)	43	40	46	46	45	42
Optional hot water supply connection. max. temp. °C	60	60	60	60	60	70
Length of connection cable in metres						1,65
Ready to plug in (Schuko-plug)	•	•	•	•	•	•
Length of supply hose / discharge hose in metres						
Flex hinge	•	•	•			
Permissible furniture front weight for installation in kg	3,0 - 9,0	3,0 - 9,0	3,0 - 9,0	3,0 - 6,0	4,5 - 8,0	
Appliance dimensions in mm						
Width x Height min./max. x Depth	598 x 861/911 x 550	598 x 818/868 x 550	598 x 818/868 x 550	598 x 818/868 x 550	448 x 818/868 x 550	598 x 850 x 598
Niche dimensions in mm						
Width x Height min./max. x Depth	600 x 863/913 x 570	600 x 820/870 x 570	600 x 820/870 x 570	600 x 820/870 x 570	450 x 820/870 x 570	



DIN ISO 9001 | 14001

With the quality management system in accordance with DIN ISO 9001, Küppersbusch guarantees to provide its customers with quality and aims to deliver added value.

With its structured and straightforward processes as well as clearly defined responsibilities, the individually tailored quality management system for a holistic management is an important aspect of the company and focuses on customer satisfaction. For us, this DIN standard is also the foundation for a company that strives to learn and continually improve. We believe that sustainable development forms a sound basis for increasing customer satisfaction and securing our own future.

Our contribution to environmental protection

With ISO 14001, Küppersbusch is committed to conserving natural resources in the best possible way. The certification for sustainable environmental management shows that we attach particular importance to the responsible use of natural resources.



FOLLOW US ONLINE

Visit us on kueppersbusch.com

Küppersbusch



Küppersbusch

[kueppersbusch.com](https://www.kueppersbusch.com)