

# CBM 6350.0S

## Built-in compact microwave oven

### Features:

- 10 oven functions (see page 68 table of functions)
- 2 microwave functions (microwave only, combined with any oven function)
- 10 microwave output levels
- Microwave output 1000 watts
- Inverter technology
- Quick-start function
- 10 automatic programmes
- 3,9" TFT Display
- Electronic oven control with high-quality aluminum knobs
- Actual temperature indication and temperature-recommendation
- Electronic timer (cooking time, end of cooking time, minute minder) with white display
- Door, triple glazed
- Rapid heating
- Demo mode
- 43 litres capacity
- Halogen lighting
- Door contact switch

### Technical data:

- Electrical connection 3.4 kW
- Niche dimensions W x H x D approx. 560 x 450 x 550 mm

### Standard accessories:

- 1 universal/deep tray, glass; 1 roasting grid

### Optional accessories:

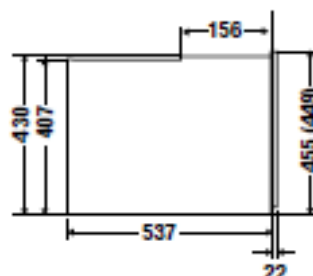
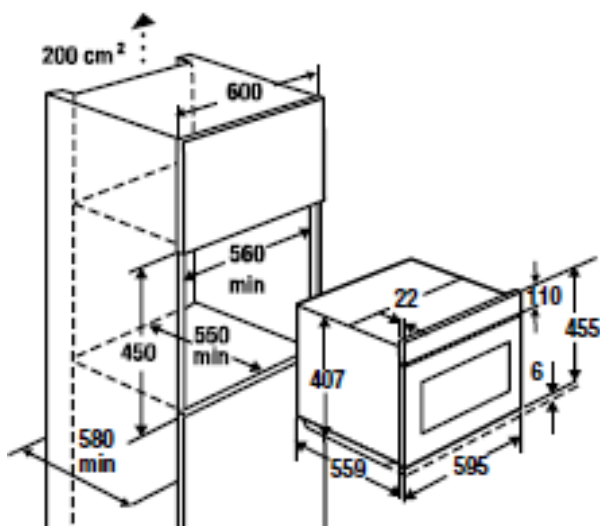
- Pizza stone with lifter Acc. no. 145

### Design kits:

- Design Black Chrome Acc. no. DK 2000
- Design Silver Chrome Acc. no. DK 3000
- Design Gold Acc. no. DK 4000
- Design Black Velvet Acc. no. DK 5000
- Design Copper Acc. no. DK 7000
- Design Hot Chili Acc. no. DK 8000

- CBM 6350.0 S1 Black, Design Stainless Steel
- CBM 6350.0 S Black + Design kit Acc. no. ...

Country of origin: Portugal



# Küppersbusch

FÜR KÜCHEN MIT STIL  
Comfort+



Black, Design Stainless Steel (pre-assembled)

