

BP 6350.0

Built-in electric oven

Features:

- Pyrolytic self-cleaning (3 levels)
- 10 oven functions (see page 70 table of functions)
- 10 automatic programmes
- 3,9" TFT Display with graphic display
- Electronic oven control with high-quality aluminum knobs
- Actual temperature indication and temperature-recommendation
- Electronic timer (cooking time, end of cooking time, minute minder) with white display
- Retro clock function
- Removable full glass inner door, quadruple glazed
- Rapid heating
- Demo mode
- Halogen lighting
- Door contact switch

Technical data:

- Electrical connection 3.6 kW
- Niche dimensions W x H x D approx. 560 x 590 x 550 mm
- For more technical data see page 198

Standard accessories:

- 1 enamel baking tray; 1 enamel universal/deep tray; 1 roasting grid

Optional accessories:

- 1 telescopic glide-out shelf (full glide-out) Acc. no. ZB 1002
- 1 telescopic glide-out shelf (standard glide-out) Acc. no. ZB 1003
- Profi cooking set Acc. no. ZB 8030
- Profi roaster set Acc. no. ZB 8031
- Baking stone with lifter Acc. no. 145
- For further optional accessories see page 72-75

Design kits:

- Design Stainless Steel Acc. no. DK 1000
- Design Black Chrome Acc. no. DK 2000
- Design Silver Chrome Acc. no. DK 3000
- Design Gold Acc. no. DK 4000
- Design Black Velvet Acc. no. DK 5000
- Design Copper Acc. no. DK 7000
- Design Hot Chili Acc. no. DK 8000

Country of origin: Spain

Küppersbusch

FÜR KÜCHEN MIT STIL

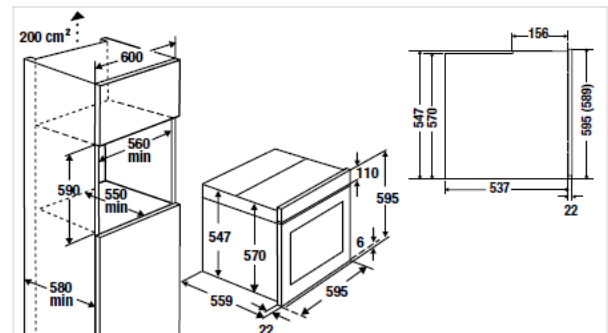
K-SERIES.3



Black, Design Stainless Steel



BP 6350.0 S1 Black, Design Stainless Steel
 BP 6350.0 S Black + Design kit Acc. no. ...



信興電工工程有限公司

Shun Hing Electric Works & Engineering Co., Ltd.