

INDUCTION HOB

VKI 3850.0SR

K-SERIES.8

Features:

- 10-level power controls "glideControl+" (power booster setting incl.) with red display
- 7 automatic cooking functions: keeping warm, cooking pasta, poaching, confit, deep frying, roasting, grilling
- Bridge function, front and rear cooking zone can be switched together to one cooking zone
- PowerManagement
- Residual heat indicator
- Minute minder with switchoff feature
- Central switchoff control
- Holiday shutdown device (limiting operation duration time)
2 cooking zones 255 x 200 mm / 1.700 W (2.000 W*)
*with power booster setting
- Profiles for VarioLine metallic joining strip Acc. no. 1130 incl.

Küppersbusch
FÜR KÜCHEN MIT STIL



Frameless



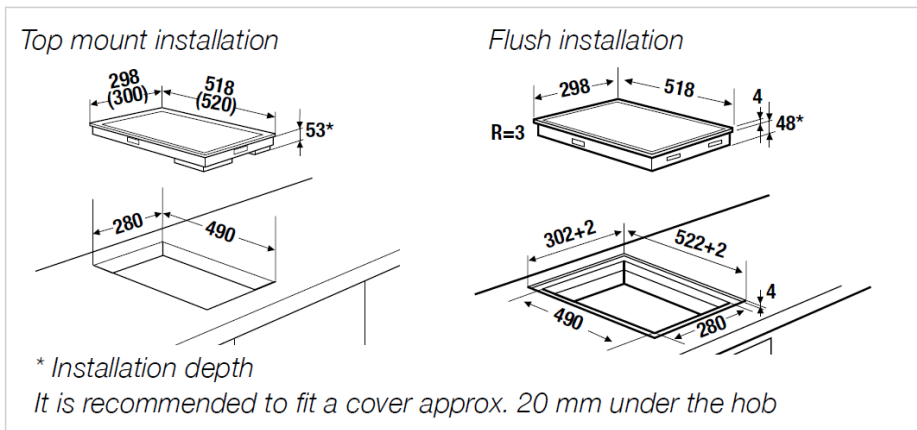
Technical data:

- Electrical connection : 3.6 kW
- Appliance dimensions : W x D approx. 298 x 518 mm
- Installation depth : 53 mm
- Niche dimensions : W x D approx. 280 x 490 mm

OPTIONAL ACCESSORIES

- FlexiGrill Acc. no. 1303
- VarioLine metallic joining strip Acc. no. 1130

Country of origin: Italy



信興電工工程有限公司
Shun Hing Electric Works & Engineering Co., Ltd.