

INDUCTION HOB

KI 6800.0SR

Profession+

Features:

- High-quality chrome graphics
- 15-level power controls **"glideControl"** with white display
- 3 pre-defined special levels: melting level approx. 42°C, keeping-warm level approx. 70°C, pasta level approx. 94°C
- Optimised grill function for FlexiGrill Acc. no. 1303
- Switch-off memory
- Bridge function, front and rear cooking zone can be switched together to one cooking zone
- Pan and pan size detection with automatic control indication
- Automatic booster cooking phase
- Residual heat indicator
- Minute minder with switch-off feature
- Central switch-off control
- Holiday shut-down device (limiting operation duration time)
- 4 cooking zones 210 x 190 mm / 2,100 W (3,700 W*)
*with power booster setting
- Optional accessories see page 249

Technical data:

- Electrical connection 7.4 kW
- Appliance dimensions
Bevelled edge W x D approx. 600 x 520 mm
Flush installation W x D approx. 598 x 518 mm
Installation depth 53 mm
- Niche dimensions W x D approx. 560 x 490 mm
(for flush installation please refer to the building-in diagrams)
- For more information see page 244

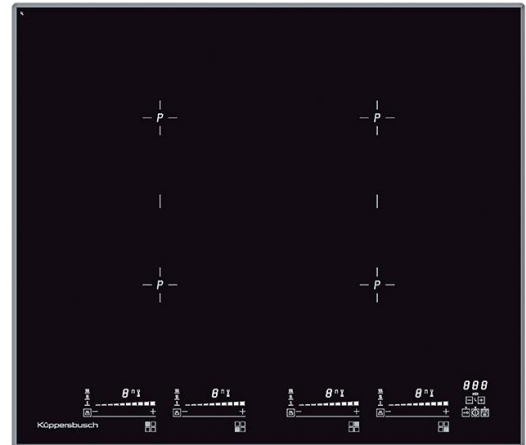
Optional accessories:

- Stainless steel profiles Acc. no. ZK 0600
- FlexiGrill Acc. no. 1303

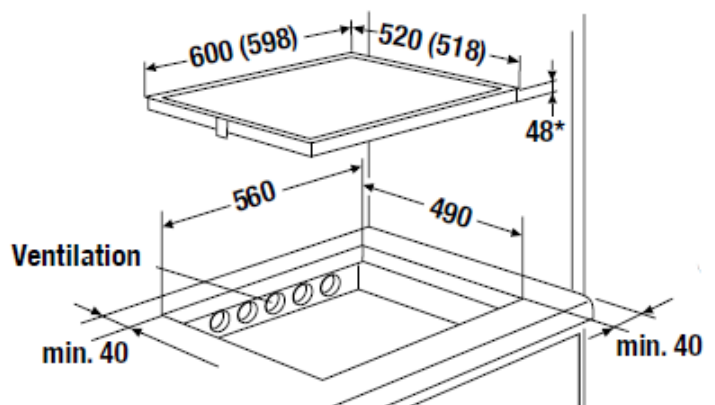
Country of origin: France

Küppersbusch

FÜR KÜCHEN MIT STIL



KI 6800.0 SF, (GR, SR) top mount



* Installation depth



信興電工工程有限公司

Shun Hing Electric Works & Engineering Co., Ltd.