

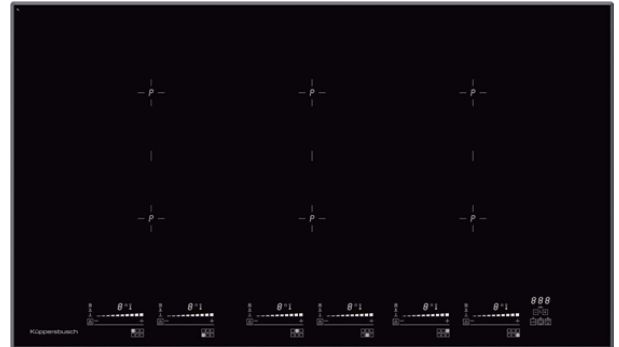
INDUCTION HOB

KI 9810.0SR

K-SERIES. 8

Features:

- High-quality metallic graphics
- 15-level power controls "glideControl+" with white display
- 3 pre-defined special levels: melting level approx. 42°C, keeping-warm level approx. 70°C, pasta level approx. 94°C
- Optimised grill function for FlexiGrill Acc. no. 1303
- Switch-off memory
- Bridge function, front and rear cooking zone can be switched together to one cooking zone
- Pan and pan size detection with automatic control indication
- Automatic booster cooking phase
- Residual heat indicator
- Minute minder with switch-off feature
- Central switch-off control
- Holiday shut-down device (limiting operation duration time)
- 6 cooking zones 210 x 190 mm / 2,100 W (3,700 W*)
*with power booster setting

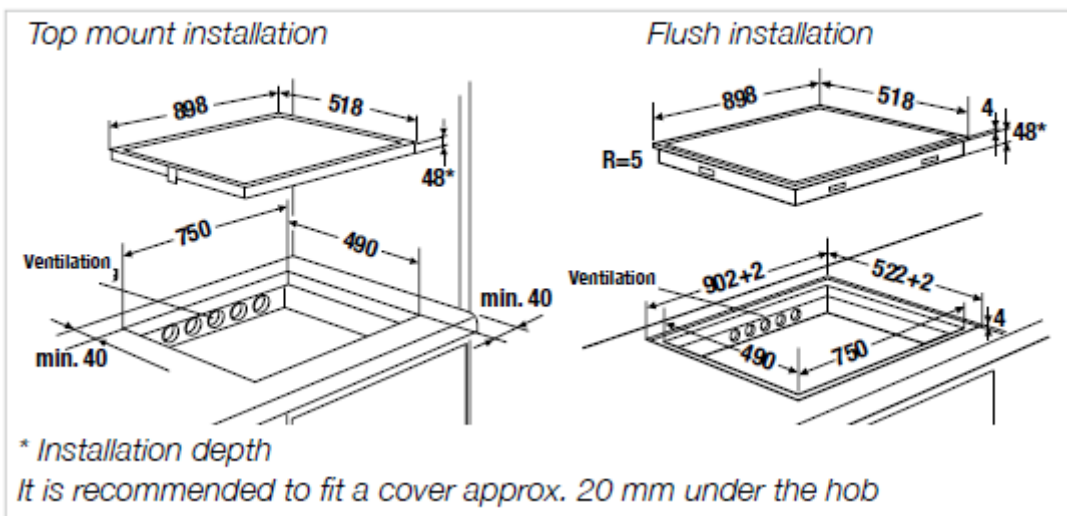


Technical data:

- Electrical connection 11.1 kW
- Appliance dimensions W x D approx. 898 x 518 mm
Installation depth 48 mm
- Niche dimensions W x D approx. 750 x 490 mm
(for flush installation please refer to the building-in diagrams)
- For further information see Technical data

Country of origin: Italy

KI 9810.0 SR black, frameless



信興電工工程有限公司
Shun Hing Electric Works & Engineering Co., Ltd.