

# INDUCTION HOB

## KI 6330.0SR

Küppersbusch

FÜR KÜCHEN MIT STIL

K-SERIES.3

### Features:

- 11-level power controls "dialControl" with red display
  - 1 pre-defined special level: keeping-warm level approx. 70°C
  - Switch-off memory
  - Automatic booster cooking phase
  - Residual heat indicator
  - Minute minder with switch-off feature
  - Central switch-off control
  - Holiday shut-down device (limiting operation duration time)
  - 1 cooking zone  $\varnothing$  200 mm / 2,300 W (3,000 W\*)
  - 1 cooking zone  $\varnothing$  180 mm / 1,100 W (1,400 W\*)
  - 1 cooking zone  $\varnothing$  220 mm / 2,300 W (3,000 W\*)
  - 1 cooking zone  $\varnothing$  160 mm / 1,100 W (1,400 W\*)
- \*with power booster setting

### Technical data:

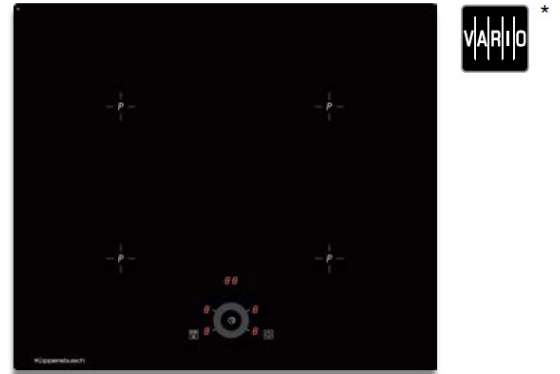
- Electrical connection 7.4 kW
- Appliance dimensions W x D approx. 598 x 518 mm
- Installation depth 54 mm
- Niche dimensions W x D approx. 560 x 490 mm
- For more information see page 206

### Optional accessories:

- Stainless steel profiles Acc. no. ZK 0600
- VarioLine metallic joining strip Acc. no. 1130  
(only possible with stainless steel profiles)
- For further optional accessories see page 128-129

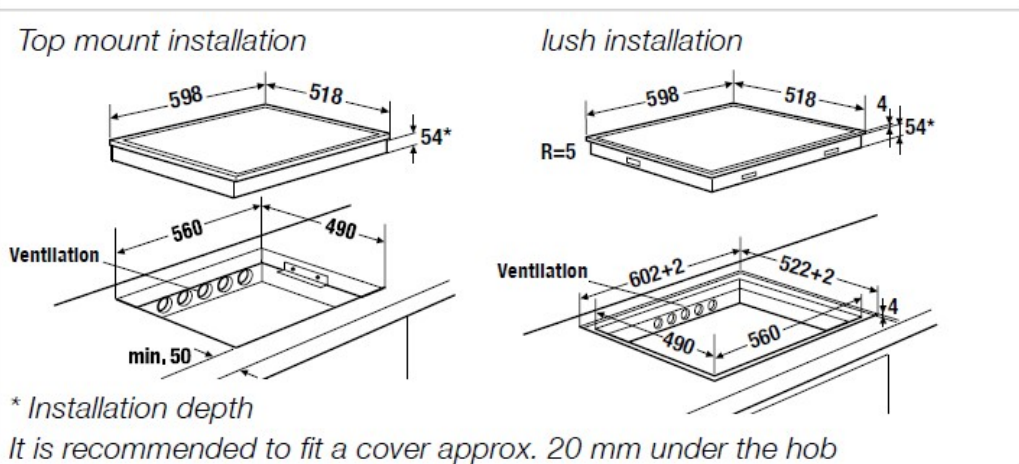
Country of origin: France

KI 6330.0 SR black, flush installation



Flush installation

dialControl. 11 power levels. 4 cooking zones.



信興電工工程有限公司

Shun Hing Electric Works & Engineering Co., Ltd.