

DW9500.0

Küppersbusch

FÜR KÜCHEN MIT STIL
K-SERIES.5

Chimney Cooker hood

90 cm. Slim-Design. Automatic delay stop.

Features:

- 4 power levels incl. high power setting
- Extraction rate (to the outside) according to guideline 2010/30/EU: max. normal power setting 630 m³/h, intensive power setting 764 m³/h
- Electronic control with touch control sensors
- Digital display
- Filter saturation indicator
- Metal grease filter
- Adjustable to ceiling height due to telescopic chimney section
- Recirculation air mode possible (see optional accessories)

Technical data:

- Electrical connection 172 W
- Appliance dimensions W x H x D approx. 900 x 670-1000 x 480 mm
- Exhaust air connection Ø 150 mm
- LED light colour 4,000 - 4,500 Kelvin

Optional accessories:

- Charcoal filter Acc. no. ZD 1001
- PlasmaMade filter Acc. no. ZD 8000
(see page 160 / 161)
- Design-Kit:
 - Design Stainless steel Acc. no. DK 9011
 - Design Black Chrome Acc. no. DK 9012
 - Design Silver Chrome Acc. no. DK 9013
 - Design Gold Acc. no. DK 9014
 - Design Copper Acc. no. DK 9017

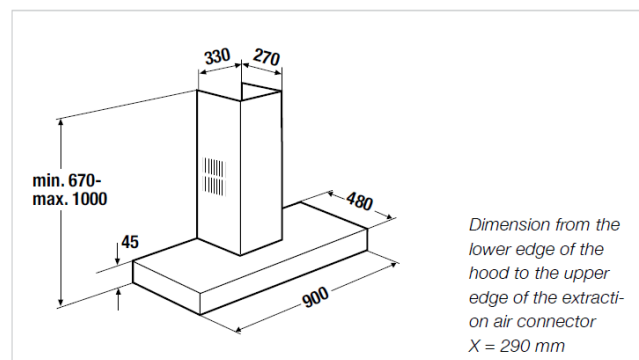


Picture with Design-Kit
Acc. no. 9011



DW 9500.0 S Black
DW 9500.0 W White

Country of origin: Portugal



信興電工工程有限公司
Shun Hing Electric Works & Engineering Co., Ltd.