

BUILT-UNDER WINE CELLAR

FWKU 1800.0S

Küppersbusch
FÜR KÜCHEN MIT STIL
K-SERIES.8

Features:

- Electronic temperature control with buttons
- Electronic temperature display
- Useable capacity for max. 44 bottles (Bordeaux 0,75 l)
- 5 wooden pull-out shelves, removeable
- 1 45°-wooden shelf for presentation
- Black glass door with UV-protection
- 2 temperature zones: upper compartment from 5°C to 12°C
lower compartment from 12°C to 20°C
- LED lighting (per temperature zone 2 LED's à 0,2 W)
- Dynamic air circulation cooling system
- Acoustic alarm
- Reversible door hinges
- Including water container for additional humidity
- Possibility for being built-under the worktop,
removable front ventilation grid
- Maximum door opening angle of 90°
- Excluding handle (see optional accessories)



Country of Origin: China

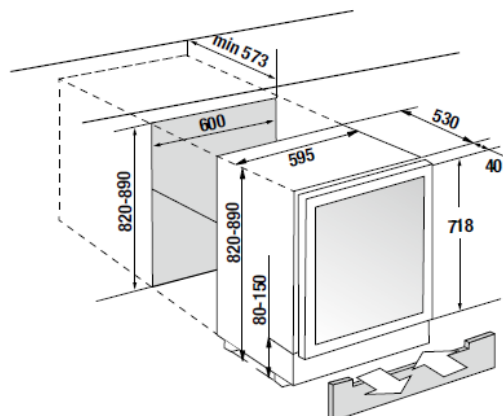


Technical data:

- Useable capacity : 44 bottles
- Temperature zones : 2 (with partition)
- Temperature range : top section 5 - 12 °C
: bottom section 12 - 20 °C
- Energy consumption per year : 146 kWh
- Noise level : 42dB
- Appliances dimensions : approx. W595 x H820-890 x D570 mm
(excluding handle)
- Niche dimensions : approx. W600 x H820-890 x D575mm

Optional Design handle:

- DK8801 Stainless steel
- DK8802 Black Chrome
- DK8803 Silver Chrome
- DK8804 Gold
- DK8805 Black Velvet
- DK8807 Copper
- DK8808 Hot Chili



Ventilation of at least
200 cm² in the plinth



信興電工工程有限公司
Shun Hing Electric Works & Engineering Co., Ltd.