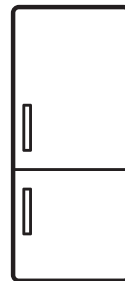


# BEDIENUNGSANWEISUNG

mit Montageanweisungen

# INSTRUCTIONS FOR USE

and installation



NL EN FR DE

FKG8310.0i



Lesen Sie unbedingt die Gebrauchsanleitung  
und den Montageplan vor Aufstellung,  
Installation sowie Inbetriebnahme.

Please read the users and installation  
instructions carefully before installation  
of the appliance and before starting to use it.

## Service und Kundendienst

Telefon: 0209 – 401 631

Email: [kundendienst@kueppersbusch.de](mailto:kundendienst@kueppersbusch.de)

**Küppersbusch**  
FÜR KÜCHEN MIT STIL

## CONTENTS

Safety information	19	Hints and tips	27
Safety instructions	20	Care and cleaning	28
Installation	22	Troubleshooting	29
Operation	23	Technical data	32
Daily use	26		

Subject to change without notice.

## SAFETY INFORMATION

Before the installation and use of the appliance, carefully read the supplied instructions. The manufacturer is not responsible for any injuries or damages that are the result of incorrect installation or usage. Always keep the instructions in a safe and accessible location for future reference.

### **Children and vulnerable people safety**

- This appliance can be used by children aged from 8 years and above and persons with reduced physical, sensory or mental capabilities or lack of experience and knowledge if they have been given supervision or instruction concerning the use of the appliance in a safe way and understand the hazards involved.
- This appliance may be used by children between 3 and 8 years of age and persons with very extensive and complex disabilities, if they have been properly instructed.
- Children of less than 3 years of age should be kept away from the appliance unless continuously supervised.
- Do not let children play with the appliance.
- Children shall not carry out cleaning and user maintenance of the appliance without supervision.
- Keep all packaging away from children and dispose of it appropriately.

### **General Safety**

- This appliance is intended to be used in household and similar applications such as:

- Farm houses; staff kitchen areas in shops, offices and other working environments
- By clients in hotels, motels, bed and breakfast and other residential type environments
- **WARNING:** Keep ventilation openings, in the appliance enclosure or in the built-in structure, clear of obstruction.
- **WARNING:** Do not use mechanical devices or other means to accelerate the defrosting process, other than those recommended by the manufacturer.
- **WARNING:** Do not damage the refrigerant circuit.
- **WARNING:** Do not use electrical appliances inside the food storage compartments of the appliance, unless they are of the type recommended by the manufacturer.
- Do not use water spray and steam to clean the appliance.
- Clean the appliance with a moist soft cloth. Only use neutral detergents. Do not use abrasive products, abrasive cleaning pads, solvents or metal objects.
- Do not store explosive substances such as aerosol cans with a flammable propellant in this appliance.
- If the supply cord is damaged, it must be replaced by the manufacturer, its Authorised Service Centre or similarly qualified persons in order to avoid a hazard.

## SAFETY INSTRUCTIONS

---

### Installation



**WARNING!** Only a qualified person must install this appliance.

- Remove all the packaging.
- Do not install or use a damaged appliance.
- Do not use the appliance before installing it in the built-in structure.
- Follow the installation instructions supplied with the appliance.
- Always take care when moving the appliance as it is heavy. Always use safety gloves and enclosed footwear.
- Make sure the air can circulate around the appliance.
- At first installation or after reversing the door wait at least 4 hours before connecting the appliance to the power supply. This is to allow the oil to flow back in the compressor.
- Before carrying out any operations on the appliance (e.g. reversing the door), remove the plug from the power socket.
- Do not install the appliance close to radiators or cookers, ovens or hobs.
- Do not expose the appliance to the rain.
- Do not install the appliance where there is direct sunlight.
- Do not install this appliance in areas that are too humid or too cold.

- When you move the appliance, lift it by the front edge to avoid scratching the floor.
- The appliance contains a bag of desiccant. This is not a toy. This is not food. Please dispose of it immediately.

## Electrical connection



**WARNING!** Risk of fire and electric shock.



**WARNING!** When positioning the appliance, ensure the supply cord is not trapped or damaged.



**WARNING!** Do not use multi-plug adapters and extension cables.

- The appliance must be earthed.
- Make sure that the parameters on the rating plate are compatible with the electrical ratings of the mains power supply.
- Always use a correctly installed shockproof socket.
- Make sure not to cause damage to the electrical components (e.g. mains plug, mains cable, compressor). Contact the Authorised Service Centre or an electrician to change the electrical components.
- The mains cable must stay below the level of the mains plug.
- Connect the mains plug to the mains socket only at the end of the installation. Make sure that there is access to the mains plug after the installation.
- Do not pull the mains cable to disconnect the appliance. Always pull the mains plug.

## Use



**WARNING!** Risk of injury, burns, electric shock or fire.



The appliance contains flammable gas, isobutane (R600a), a natural gas with a high level of environmental compatibility. Be careful not to cause damage to the refrigerant circuit containing isobutane.

- Do not change the specification of this appliance.
- Do not put electrical appliances (e.g. ice cream makers) in the appliance unless they are stated applicable by the manufacturer.
- If damage occurs to the refrigerant circuit, make sure that there are no flames and sources of ignition in the room. Ventilate the room.
- Do not let hot items to touch the plastic parts of the appliance.
- Do not put soft drinks in the freezer compartment. This will create pressure on the drink container.
- Do not store flammable gas and liquid in the appliance.
- Do not put flammable products or items that are wet with flammable products in, near or on the appliance.
- Do not touch the compressor or the condenser. They are hot.
- Do not remove or touch items from the freezer compartment if your hands are wet or damp.
- Do not freeze again food that has been thawed.
- Follow the storage instructions on the packaging of frozen food.
- Wrap the food in any food contact material before putting it in the freezer compartment.

## Internal lighting



**WARNING!** Risk of electric shock.

- The type of lamp used for this appliance is for household appliances only. Do not use it for house lighting.

## Care and cleaning



**WARNING!** Risk of injury or damage to the appliance.

- Before maintenance, deactivate the appliance and disconnect the mains plug from the mains socket.
- This appliance contains hydrocarbons in the cooling unit. Only a qualified person must do the maintenance and the recharging of the unit.
- Regularly examine the drain of the appliance and if necessary, clean it. If the drain is blocked, defrosted water collects in the bottom of the appliance.

## Service

- To repair the appliance contact an Authorised Service Centre.
- Use original spare parts only.

## Disposal



**WARNING!** Risk of injury or suffocation.

- Disconnect the appliance from the mains supply.
- Cut off the mains cable and discard it.
- Remove the door to prevent children and pets to be closed inside of the appliance.
- The refrigerant circuit and the insulation materials of this appliance are ozone-friendly.
- The insulation foam contains flammable gas. Contact your municipal authority for information on how to discard the appliance correctly.
- Do not cause damage to the part of the cooling unit that is near the heat exchanger.

## INSTALLATION



**WARNING!** Refer to Safety chapters.

## Location



Refer to the assembly instructions for the installation.

To ensure best performance, install the appliance well away from sources of heat such as radiators, boilers, direct sunlight etc. Make sure that air can circulate freely around the back of the cabinet.

## Positioning

Install the appliance in a dry, well ventilated indoors where the ambient temperature corresponds to the climate class indicated on the rating plate of the appliance.

Cli- mate class	Ambient temperature
SN	+10°C to + 32°C

Cli- mate class	Ambient temperature
N	+16°C to + 32°C
ST	+16°C to + 38°C
T	+16°C to + 43°C



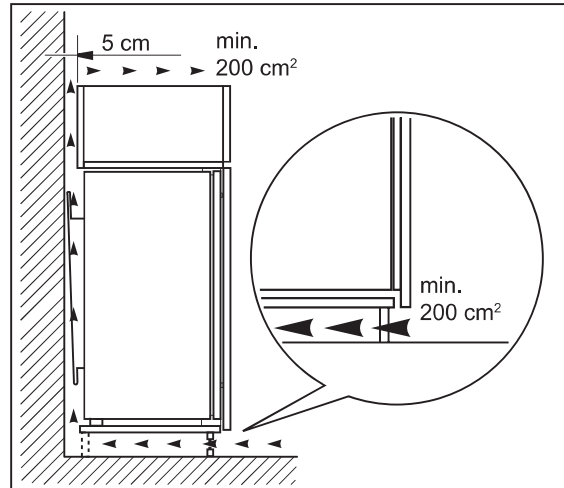
Some functional problems might occur for some types of models when operating outside of that range. The correct operation can only be guaranteed within the specified temperature range. If you have any doubts regarding where to install the appliance, please turn to the vendor, to our customer service or to the nearest Authorised Service Centre.

## Electrical connection

- Before plugging in, ensure that the voltage and frequency shown on the

rating plate correspond to your domestic power supply.

- The appliance must be earthed. The power supply cable plug is provided with a contact for this purpose. If the domestic power supply socket is not earthed, connect the appliance to a separate earth in compliance with current regulations, consulting a qualified electrician.
- The manufacturer declines all responsibility if the above safety precautions are not observed.
- This appliance complies with the E.E.C. Directives.



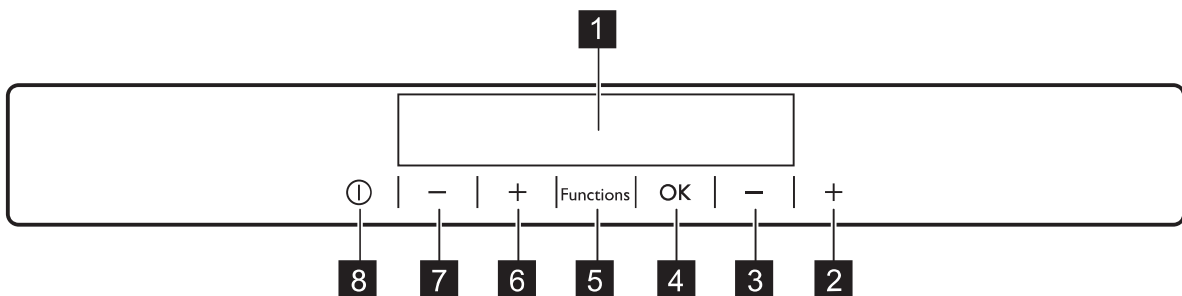
**CAUTION!** Refer to the assembly instructions for the installation.

### Ventilation requirements

The airflow behind the appliance must be sufficient.

## OPERATION

### Control Panel

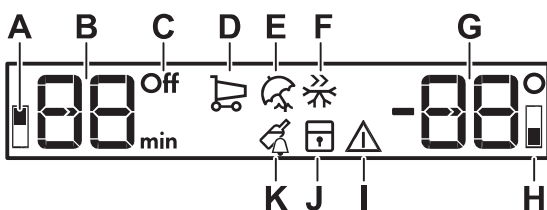


- 1** Display
- 2** Freezer Temperature warmer button
- 3** Freezer Temperature colder button
- 4** OK
- 5** Functions
- 6** Fridge Temperature warmer button
- 7** Fridge Temperature colder button
- 8** ON/OFF

- 7** Fridge Temperature colder button
- 8** ON/OFF

It is possible to change predefined sound of buttons by pressing together Functions and temperature colder button for a few seconds. Change is reversible.

### Display




- A.** Fridge compartment indicator
- B.** Timer indicator /Temperature indicator
- C.** ON/OFF indicator
- D.** Shopping function
- E.** Holiday mode
- F.** FastFreeze function



- G. Temperature indicator
- H. Freezer compartment indicator
- I. Alarm indicator

## Switching on

1. Connect the mains plug to the power socket.
2. Press the appliance ON/OFF if the display is off. The temperature indicators show the set default temperature.

 The alarm buzzer could operate after few seconds. To reset the alarm refer to "High temperature alarm".

To select a different set temperature refer to "Temperature regulation".

If "dEMo" appears on the display, refer to "Troubleshooting".

## Switching off

1. Press the appliance ON/OFF for 5 seconds.  
The display switches off.
2. Disconnect the mains plug from the power socket.


## Temperature regulation

Set the temperature of the appliance by pressing the temperature regulators.

Default set temperature:

- +5°C for the fridge
- -18°C for the freezer

The temperature indicators show the set temperature.

 The set temperature will be reached within 24 hours. After a power failure the set temperature remains stored.

## Switching on the fridge

To switch on the fridge it is enough to press the fridge temperature regulator. To switch on the fridge in the other way:


1. Press Functions until the corresponding icon appears.

- J. ChildLock function
- K. DrinksChill function

The Fridge OFF indicator flashes.

2. Press OK to confirm.

The fridge OFF indicator goes off.

 To select a different set temperature refer to "Temperature regulation".

## Switching off the fridge


1. Press Functions until the corresponding icon appears.  
The fridge OFF indicator and the fridge compartment indicator flash.  
The fridge temperature indicator shows dashes.
2. Press OK to confirm.  
The fridge OFF indicator is shown.

## Shopping function

If you need to insert a large amount of warm food, for example after doing the grocery shopping, we suggest activating the Shopping function to chill the products more rapidly and to avoid warming the other food which is already in the refrigerator.

1. Press the Functions until the corresponding icon appears.  
The Shopping indicator flashes.
2. Press the OK to confirm.  
The Shopping indicator is shown.  
The Shopping function shuts off automatically after approximately 6 hours.

To switch off the function before its automatic end, repeat the procedure.

 The function switches off by selecting a different fridge set temperature.

## Holiday mode

This mode allows you to keep the appliance closed and empty during a long

holiday period without the formation of bad odours.

1. Press the Functions until the corresponding icon appears. The Holiday indicator flashes. The temperature indicator shows the set temperature.
2. Press the OK to confirm. The Holiday indicator is shown.



This mode switches off after selecting a different temperature.

## FastFreeze function

The FastFreeze function accelerates the freezing of fresh food and, at the same time, protects foodstuffs already stored from undesirable warming.

1. To activate this function press the Functions button until the corresponding icon appears. The FastFreeze indicator flashes.
2. Press the OK button to confirm. The FastFreeze indicator is shown. This function stops automatically after 52 hours.

To switch off the function before its automatic end repeat the procedure until the FastFreeze indicator turns off.



The function switches off by selecting a different set temperature.

## ChildLock function

Activate the ChildLock function to lock the buttons from unintentional operation.

1. Press Functions until the corresponding icon appears. The ChildLock indicator flashes.
2. Press OK to confirm. The ChildLock indicator is shown. To deactivate the ChildLock function, repeat the procedure until the ChildLock indicator goes off.

## DrinksChill function

The DrinksChill function is to be used to set an acoustic alarm at the preferred time, useful for example when a recipe requires to cool down food products for a certain period of time.

It is also useful when a reminder is needed in order not to forget the bottles placed in the freezer for fast cooling.

1. Press Functions until the corresponding icon appears. The DrinksChill indicator flashes. The Timer shows the set value (30 minutes) for a few seconds.
2. Press the Timer regulator to change the Timer set value from 1 to 90 minutes.
3. Press OK to confirm. The DrinksChill indicator is shown. The Timer start to flash (min). At the end of the countdown the DrinksChill indicator flashes and an audible alarm sounds. Press OK to switch off the sound and terminate the function.

To switch off the function repeat the procedure until the DrinksChill goes off.



It is possible to change the time at any time during the countdown and at the end by pressing the Temperature colder button and the Temperature warmer button.

## High temperature alarm

An increase in the temperature in the freezer compartment (for example due to an earlier power failure) is indicated by flashing the alarm icon and freezer temperature indicators, and sounding of buzzer.

Press any button.

The buzzer switches off.

The freezer temperature indicator shows the highest temperature reached for a few seconds, then displays the set temperature again.





The alarm indicator continues to flash until the normal conditions are restored.

The alarm stops after closing the door. During the alarm, the acoustic signal can be muted by pressing any button.

## Door open alarm

If the door is left open for approximately 90 seconds, the acoustic alarm starts and alarm indicator flashes.

## DAILY USE



**WARNING!** Refer to Safety chapters.

## Cleaning the interior

Before using the appliance for the first time, the interior and all internal accessories should be washed with lukewarm water and some neutral soap to remove the typical smell of a brand-new product, then dried thoroughly.

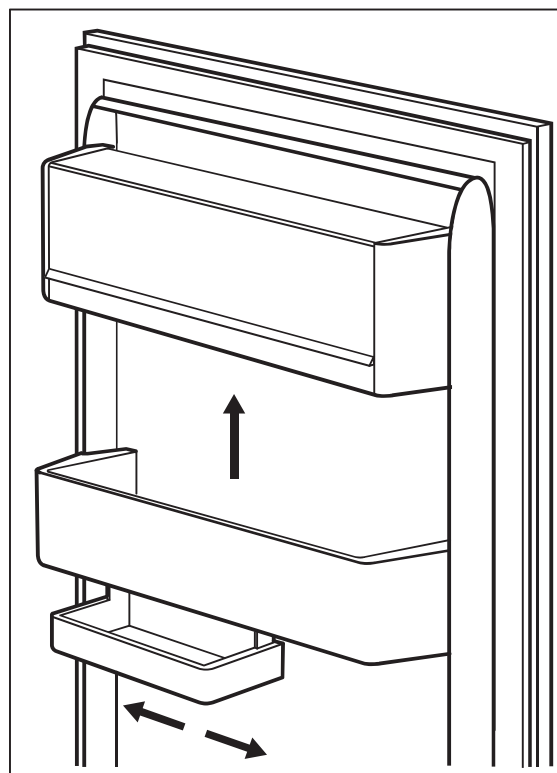


**CAUTION!** Do not use detergents, abrasive powders, chlorine or oil-based cleaners as they will damage the finish.

## Positioning the door shelves

To permit storage of food packages of various sizes, the door shelves can be placed at different heights.

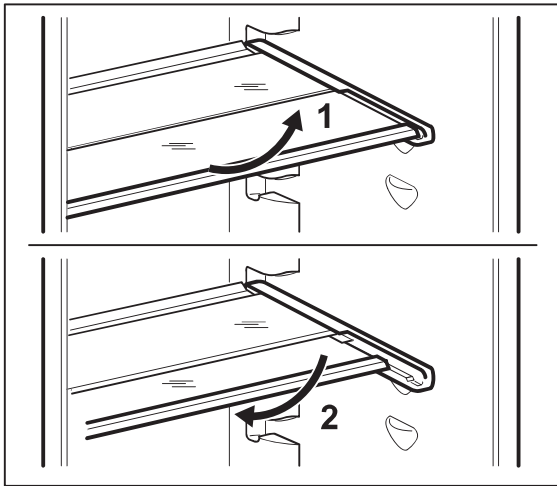
1. Gradually pull the shelf up until it comes free.
2. Reposition as required.



This model is equipped with a variable storage box which can be moved sideways.

## Movable shelves

The walls of the refrigerator are equipped with a series of runners so that the shelves can be positioned as desired.



- i** Do not move the glass shelf above the vegetable drawer to ensure correct air circulation.

## Freezing and storage of frozen food

The freezer compartment is suitable for freezing fresh food and storing frozen and deep-frozen food for a long time.

When first starting-up or after a period out of use, before putting the products in the compartment let the appliance run at least 2 hours with the FastFreeze function turned on.

To freeze fresh food place it in the top compartment.

The maximum amount of food that can be frozen in 24 hours is specified on the **rating plate**, a label located on the inside of the appliance.

The freezing process lasts 24 hours, during this period do not add other food to be frozen.

## HINTS AND TIPS

### Normal operating sounds

The following sounds are normal during operation:

- A faint gurgling and bubbling sound from coils sound when refrigerant is pumped.

- i** In the event of accidental defrosting, for example due to a power failure, if the power has been off for longer than the value shown in the technical characteristics chart under "rising time", the defrosted food must be consumed quickly or cooked immediately and then re-frozen (after cooling).

## Thawing

Deep-frozen or frozen food, prior to being used, can be thawed in the refrigerator compartment or at room temperature, depending on the time available for this operation.

Small pieces may even be cooked still frozen, directly from the freezer: in this case, cooking will take longer.

## Ice-cube production

This appliance is equipped with one or more trays for the production of ice-cubes.

- i** Do not use metallic instruments to remove the trays from the freezer.

1. Fill these trays with water
2. Put the ice trays in the freezer compartment.

## Cold accumulators

The freezer contains at least one cold accumulator which increases storage time in the event of a power cut or breakdown.

- A whirring and pulsating sound from the compressor when refrigerant is pumped.
- A sudden cracking noise from inside appliance caused by thermic dilatation (a natural and not dangerous physical phenomenon).

- A faint click noise from the temperature regulator when the compressor switches on or off.
- Bottles: close with a cap and place on the door bottle shelf, or (if available) on the bottle rack.

### Hints for energy saving

- Do not open the door frequently or leave it open longer than absolutely necessary.
- Do not remove the cold accumulators from the freezer basket.

### Hints for fresh food refrigeration

- Do not store warm food or evaporating liquids in the refrigerator.
- Cover or wrap the food, particularly if it has a strong flavour.
- Position food so that air can circulate freely around it.

### Hints for refrigeration

Useful hints:

- Meat (all types): wrap in a suitable packaging and place it on the glass shelf above the vegetable drawer. Store meat for at most 1-2 days.
- Cooked foods, cold dishes: cover and place on any shelf.
- Fruit and vegetables: clean thoroughly and place in a special drawer. Bananas, potatoes, onions and garlic must not be kept in the refrigerator if not packed.
- Butter and cheese: place in a special airtight container or wrap in an aluminium foil or a polythene bag to exclude as much air as possible.

### Hints for freezing

- Freeze only top quality, fresh and thoroughly cleaned food products.
- For more efficient freezing and thawing divide food into small portions.
- Wrap the food in aluminium foil or polythene. Make sure that the packages are airtight.
- To avoid increase in temperature of already frozen food, do not place fresh unfrozen food directly next to it.
- Lean foods store better and longer than fatty ones. Salt reduces the storage life of food.
- Do not eat ice cubes, water ices or ice lollies immediately after taking them out of the freezer. Risk of frostbites.
- It is advisable to show the freezing date on each individual pack to enable you to keep tab of the storage time.

### Hints for storage of frozen food

- Make sure that the commercially frozen food products were adequately stored by the retailer.
- Make sure that frozen foodstuffs are transferred from the food store to the freezer in the shortest possible time.
- Once defrosted, food deteriorates rapidly and cannot be refrozen.
- Do not exceed the storage period indicated by the food manufacturer.

## CARE AND CLEANING

---



**WARNING!** Refer to Safety chapters.

### General warnings



**CAUTION!** Unplug the appliance before carrying out any maintenance operation.



This appliance contains hydrocarbons in its cooling unit; maintenance and recharging must therefore only be carried out by authorized technicians.



The accessories and parts of the appliance are not suitable for washing in a dishwasher.

## Periodic cleaning



**CAUTION!** Do not pull, move or damage any pipes and/or cables inside the appliance.



**CAUTION!** Do not damage the cooling system.

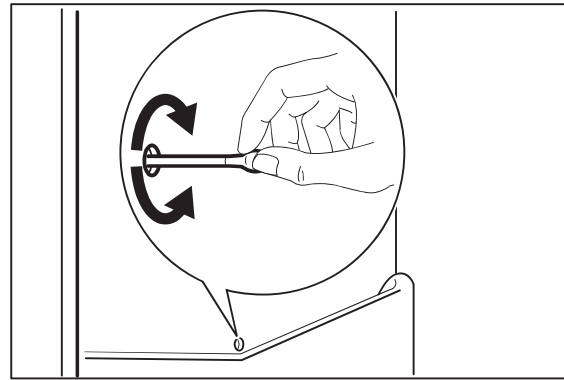
The equipment has to be cleaned regularly:

1. Clean the inside and accessories with lukewarm water and some neutral soap.
2. Regularly check the door seals and wipe them clean to ensure they are clean and free from debris.
3. Rinse and dry thoroughly.
4. If accessible, clean the condenser and the compressor at the back of the appliance with a brush.  
This will improve the performance of the appliance and save electricity consumption.

## Defrosting of the refrigerator

Frost is automatically eliminated from the evaporator of the refrigerator compartment every time the motor compressor stops, during normal use. The defrost water drains out through a trough into a special container at the back of the appliance, over the motor compressor, where it evaporates.

It is important to periodically clean the defrost water drain hole in the middle of the refrigerator compartment channel to prevent the water overflowing and dripping onto the food inside.



## Defrosting of the freezer

The freezer compartment is frost free. This means that there is no build up of frost when it is in operation, neither on the internal walls, nor on the foods.

## Periods of non-operation

When the appliance is not in use for long periods, take the following precautions:

1. Disconnect the appliance from electricity supply.
2. Remove all food.
3. Clean the appliance and all accessories.
4. Leave the door/doors open to prevent unpleasant smells.



**CAUTION!** If you want to keep the appliance switched on, ask somebody to check it once in a while to prevent the food inside from spoiling in case of a power failure.

We recommend activating Holiday Mode.



## TROUBLESHOOTING

---



**WARNING!** Refer to Safety chapters.

## What to do if...

Problem	Possible cause	Solution
The appliance does not operate.	The appliance is switched off.	Switch on the appliance.
	The mains plug is not connected to the mains socket correctly.	Connect the mains plug to the mains socket correctly.
	There is no voltage in the mains socket.	Connect a different electrical appliance to the mains socket. Contact a qualified electrician.
Audible or visual alarm is on.	The cabinet has been recently switched on or the temperature is too high.	Refer to "High temperature alarm".
	The temperature in the appliance is too high.	Contact a qualified electrician or contact the nearest Authorised Service Centre.
	The door is left open.	Close the door. Refer to "Door open alarm"
A  or  symbol is shown instead of numbers on the Temperature Display.	Temperature sensor problem.	Contact the nearest Authorised Service Centre (the cooling system will continue to keep food products cold, but temperature adjustment will not be possible).
The lamp does not work.	The lamp is in stand-by.	Close and open the door.
	The lamp is defective.	Contact the nearest Authorised Service Centre.
The compressor operates continually.	Temperature is set incorrectly.	Refer to "Operation".
	Many food products were put in at the same time.	Wait few hours and then check the temperature again.
	The room temperature is too high.	Refer to climate class chart on the rating plate.
	Food products placed in the appliance were too warm.	Allow food products to cool to room temperature before storing.
	The door is not closed correctly.	Refer to "Closing the door".

Problem	Possible cause	Solution
	The "FastFreeze function" or "Shopping function" is switched on.	Refer to "FastFreeze function" or "Shopping function".
There is too much frost and ice.	The door is not closed correctly or the gasket is deformed/dirty.	Refer to "Closing the door".
	The water drainage plug is not correctly positioned.	Position the water drainage plug in the correct way.
	Temperature is set incorrectly.	Refer to "Operation" .
The compressor does not start immediately after pressing the "FastFreeze" or "Shopping", or after changing the temperature.	This is normal, no error has occurred.	The compressor starts after a period of time.
Water flows on the rear plate of the refrigerator.	During the automatic defrosting process, frost melts on the rear plate.	This is correct.
Water flows inside the refrigerator.	Food products prevent the water to flow into the water collector.	Make sure that food products do not touch the rear plate.
	The water outlet is clogged.	Clean the water outlet.
Water flows on the floor.	The melting water outlet is not connected to the evaporative tray above the compressor.	Attach the melting water outlet to the evaporative tray.
Temperature cannot be set.	The "FastFreeze function" or "Shopping function" is switched on.	Switch off "FastFreeze function" or "Shopping function" manually, or wait until the function resets automatically to set the temperature. Refer to "FastFreeze function" or "Shopping function".
dEMo appears on the display.	The appliance is in demonstration mode.	Keep the OK pressed for approximately 10 seconds until a long sound is heard and display shuts off for a short time.
The temperature in the appliance is too low/too high.	The temperature regulator is not set correctly.	Set a higher/lower temperature.



Problem	Possible cause	Solution
	The door is not closed correctly.	Refer to "Closing the door".
	The food products' temperature is too high.	Let the food products temperature decrease to room temperature before storage.
	Many food products are stored at the same time.	Add less food products at the same time.
	The door has been opened often.	Open the door only if necessary.
	The "FastFreeze function" or "Shopping function" is switched on.	Refer to "FastFreeze function" or "Shopping function".
	There is no cold air circulation in the appliance.	Make sure that there is cold air circulation in the appliance.



If the advice does not lead to the desired result, contact the nearest Authorised Service Centre.

## Replacing the lamp

The appliance is equipped with a longlife LED interior light.

Only service is allowed to replace the lighting device. Contact your Authorised Service Centre.

## Closing the door

1. Clean the door gaskets.
2. If necessary, adjust the door. Refer to assembly instructions.
3. If necessary, replace the defective door gaskets. Contact the Authorised Service Centre.

## TECHNICAL DATA

### Product information sheet

Trade Mark	Küpperbusch
Model	FKG8310.0i PNC925501080
Category	7. Refrigerator-freezer
Energy efficiency class	A+
Energy consumption in kWh per year, based on standard test results for 24 hours. The actual energy consumption will depend on how the appliance is used and where it is located	291
Storage volume in litres, Fridge	192

Storage volume in litres, Star	-
Storage volume in litres, Cellar zone	-
Storage volume in litres, Wine	-
Storage volume in litres, Total	253
Storage volume in litres, Freezer	61
Storage volume in litres, Chiller	-
Storage volume in litres, Other compartments	-
Star rating of freezer compartment with highest storage volume (I)	****
Design temperature of other compartments > 14 °C (°C), if any	-
Frost free (Y/N), Fridge	No
Frost free (Y/N), Freezer	Yes
Power cut safe in h	21
Freezing capacity in kg/24h	10
Climate class	SN-N-ST-T
Lowest ambient temperature at which this appliance is intended to be used, in °C	10
Highest ambient temperature at which this appliance is intended to be used, in °C	43
Acoustical noise emissions dB(A) re1 pW	40
Built in appliance Y/N	Yes
This appliance is intended to be used exclusively for the storage of wine Y/N	No


## Additional technical data

Dimensions of the recess	
Height	1780 mm
Width	560 mm
Depth	550 mm


Voltage	230 - 240 V
Frequency	50 Hz

The technical information is situated in the rating plate, on the external or internal side of the appliance and on the energy label.

## ENVIRONMENTAL CONCERNS

Recycle materials with the symbol . Put the packaging in relevant containers to

recycle it. Help protect the environment and human health by recycling waste of

electrical and electronic appliances. Do not dispose of appliances marked with the symbol  with the household waste.

Return the product to your local recycling facility or contact your municipal office.



222376138-A-082019

# Küppersbusch

## **Küppersbusch Hausgeräte GmbH**

Postfach 10 01 32, D-45801 Gelsenkirchen,  
Küppersbuschstraße 16, D-45883 Gelsenkirchen  
Telefon: (0209) 401-0, Telefax: (0209) 401-303  
[www.kueppersbusch.de](http://www.kueppersbusch.de)

## **Teka Austria GmbH**

Eitnergasse 13, A-1230 Wien  
Telefon: (01) 86680-15, Telefax: (01) 86680-50  
[www.kueppersbusch.at](http://www.kueppersbusch.at)

