

# BUILT-IN WASHER DRYER

WT6800.0i-HK

Premium+

## Features:

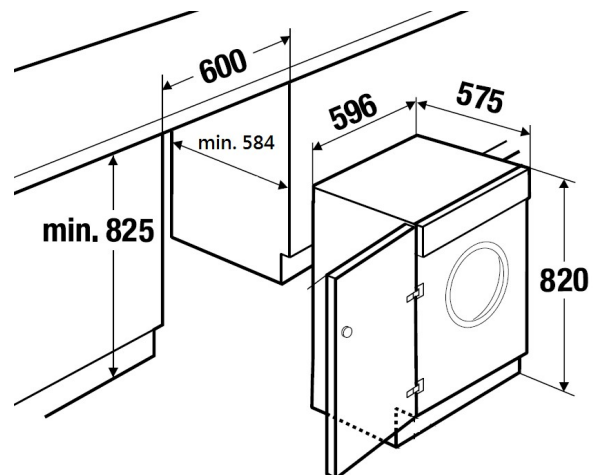
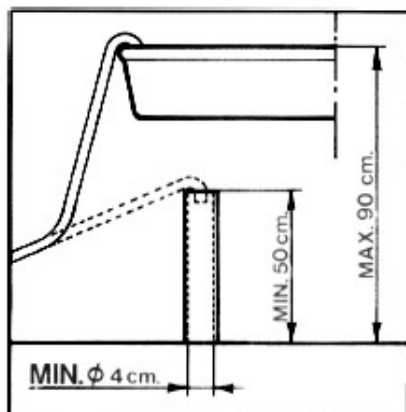
- Control panel with symbols and digital display
- LED programme sequence indicator
- Electronic delay start timer with remaining time display
- Fully electronic
- Acoustic signal at end of programme
- 15 programmes (12 washing + 3 drying)
- 15min fast washing programme
- 5 washing temperatures
- Appliance door hinge on the left
- Reversible door hinges
- Lint filter in the plinth
- Energy Efficiency Grading: Grade 1 (HK EMSD)

## Technical data:

- Washing capacity : 7 kg
- Drying capacity : 4 kg
- Spin speeds : 1400/1200/1000/800/600 rpm
- Energy consumption per year : 4.85 kWh (coloured, 60°C)
- Water consumption : 52 litres
- Electrical connection : 2.2 kW (13A plug)
- Appliances dimensions : approx. W596 x H820 x D575 mm
- Length of supply hose : 1.5 metres
- Length of discharge hose : 1.5 metres
- Length of connection cable : 1.5 metres

Country of origin: Italy

Küppersbusch  
FÜR KÜCHEN MIT STIL



信興電工工程有限公司

Shun Hing Electric Works & Engineering Co., Ltd.