

FKG8310.0i

**Integrated built-in refrigerator
In Fixed door system
w/ heating element**

Küppersbusch
FÜR KÜCHEN MIT STIL

Features:

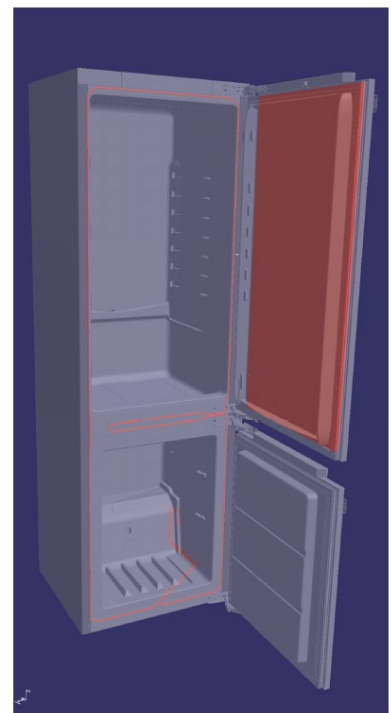
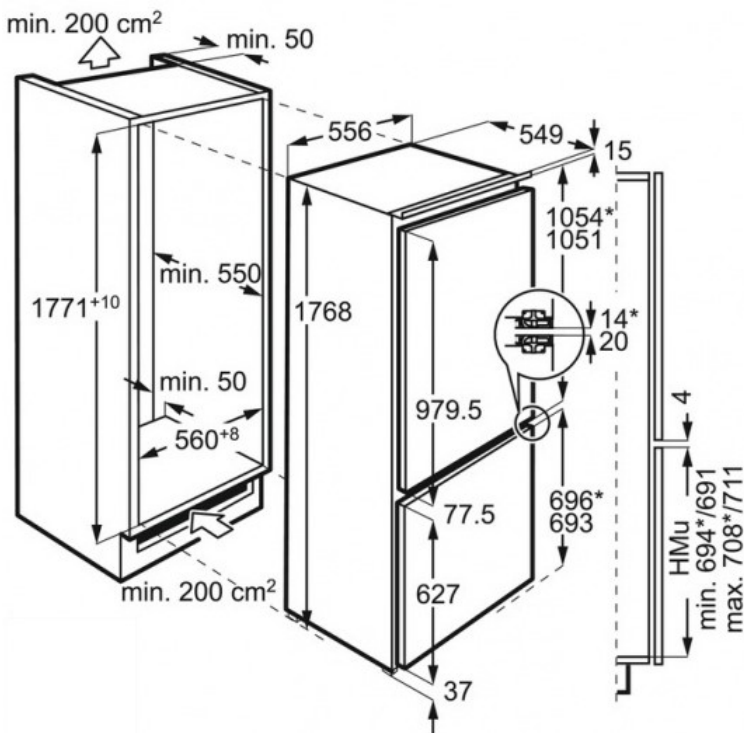
- Electronic temperature control with touch control sensors
- Electronic temperature display
- DefrostMode
- FastCooling with automatic shut off
- FastFreezing with automatic shut off
- Acoustic alarm
- VarioShelves / VarioShelves+ / VarioBoxes
- Transparent freezer drawers
- Useable capacity 247 litres
of which
cooling section 186 litres
freezer section 61 litres
- Reversible door hinges

Technical data:

- Energy consumption/year 226 kW/h
- Freezing capacity 10 kg/24 h
- Storage time in the event of power failure 23 h
- Appliance dimensions W x H x D approx. 556 x 1,768 x 549 mm
- Niche dimensions W x H x D approx. 560 x 1,780 x 550 mm
- Noise level 39 dB
- For more technical data see page 216



Country of Origin: Italy



Anti-moisture pipe and high humidity door system are shown in red color.