

EKV 6500.1

Built-in fully automatic coffee machine

Features:

- 5 programmable cup sizes (espresso cup, small cup, medium cup, large cup, mug)
- Dispenser for 1 or 2 cups
- Real milk function for cappuccino or coffee latte
- Removable milk container with cleaning function
- Suitable for use with coffee beans and coffee powder
- Height-adjustable coffee dispenser
- Boiling pressure approx. 15 bar
- Separate boiler for coffee and for hot water
- Automatic cleaning and decalcification programmes
- Automatic cleaning when switching on and off
- Hot water function
- Water container removable from the front
- Electronic timer with time-of-day clock
- Programmable starting time
- Standby function (programmable)
- Red clear text display
- LED lights
- Central switch-off function
- 3 selectable coffee temperatures
- Selectable coffee flavour (5 preset coffee strengths)
- Telescopic rails for easy re-filling

Country of Origin: Italy

Technical data:

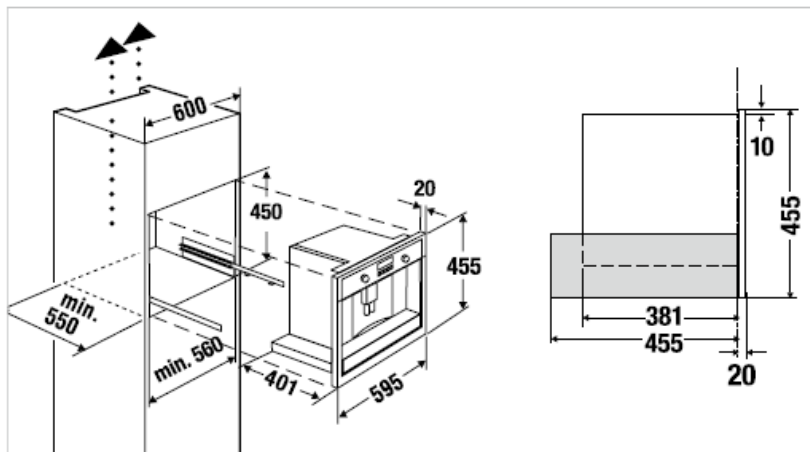
- Electrical connection 1.35 kW
- Appliance dimensions W x H x D approx. 595 x 455 x 475 mm (incl. front 20 mm and telescopic rails)
- Niche dimensions W x H x D approx. 560 x 450 x 550 mm

Design kits:

- | | |
|--------------------------|----------------|
| - Design Stainless Steel | Acc. no. 2002 |
| - Design Black Chrome | Acc. no. 3002 |
| - Design Silver Chrome | Acc. no. 4002 |
| - Design Gold | Acc. no. 5002 |
| - Design Black Velvet | Acc. no. 6002 |
| - Design Copper | Acc. no. C6001 |
| - Design Hot Chili | Acc. no. R6001 |

Power connection: 13A

Country of origin: Italy



Küppersbusch

FÜR KÜCHEN MIT STIL

Profession+



Black, Design Stainless Steel



White, Design Stainless Steel



Design Black Chrome



Design Silver Chrome



Design Gold



Design Black Velvet



Design Copper



Design Hot Chili



reddot design award
winner 2003

EKV 6500.1 J,
Black,
Design Black
Velvet