

BUILT-IN MICROWAVE OVEN

CBM 6330.0 S1

Küppersbusch
FÜR KÜCHEN MIT STIL

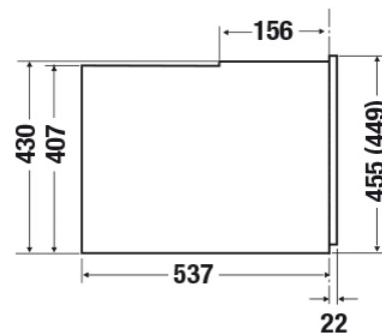
Comfort+

Features:

- Design stainless steel handle
- 8 oven functions
- 3 microwave functions (microwave only, microwave + grill, microwave + hot air)
- 10 microwave output levels
- Quick-start function
- Oven control with high-quality aluminum knobs
- Electronic timer (cooking time, end of cooking time, minute minder) with white display
- Door, triple glazed
- Halogen lighting
- Door contact switch

Technical data:

- Oven volume : 43 litres
- Microwave : 1 kW
- Electrical connection : 3.4 kW (20A spur)
- Niche dimensions : approx. W560 x H450 x D550 mm
- Ventilation area : 200 cm³
- Length of connection cable : 1.8 metres



Optional Design kit:

- DK 1000 Stainless steel
- DK 2000 Black Chrome
- DK 3000 Silver Chrome
- DK 4000 Gold
- DK 5000 Black Velvet
- DK 7000 Copper
- DK 8000 Hot Chill

Country of origin: Portugal

