

# BUILT-IN ELECTRIC OVEN

BP 6850.0 S

**Küppersbusch**  
FÜR KÜCHEN MIT STIL

Profession+

Features:

- Pyrolytic self-cleaning (3 levels)
- 14 oven functions
- 11 special functions
- More than 80 automatic programmes
- 56 favorite programmes for saving own processes
- 5,0" TFT Touch Display with clear text and graphic display
- Electronic oven control with TFT touch display
- Actual temperature indication and temperature-recommendation
- Multilevel timer
- Electronic timer (cooking time, end of cooking time, minute minder) with white display
- Full glass inner door, quadruple glazed, removable
- Rapid heating
- Eco mode
- Demo mode
- Stand-by mode
- Halogen lighting
- Door contact switch

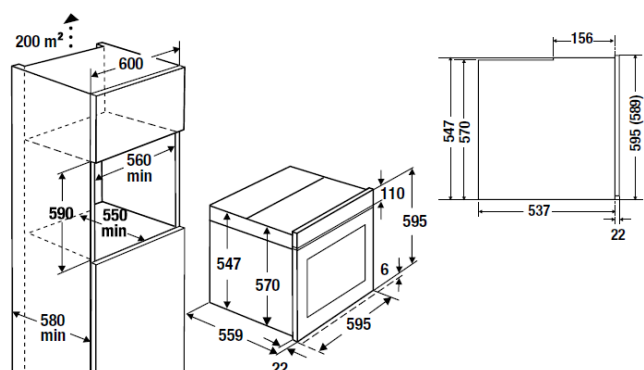


Technical data:

- Oven volume : 70 litres
- Max. temperature in hot air : 270°C
- Electrical connection : 3.6 kW (20A spur)
- Niche dimensions : approx. W560 x H590 x D550 mm
- Ventilation area : 200 m<sup>2</sup>
- Length of connection cable : 1.5 metres

Design kits:

- Design Stainless Steel Acc. No. DK 1000
- Design Black Chrome Acc. No. DK 2000
- Design Silver Chrome Acc. No. DK 3000
- Design Gold Acc. No. DK 4000
- Design Black Velvet Acc. No. DK 5000
- Design Copper Acc. No. DK 6000
- Design Hot Chill Acc. No. DK 7000



Country of origin: Europe



信興電工工程有限公司  
Shun Hing Electric Works & Engineering Co., Ltd.