

Brugsanvisning

Gebruiksaanwijzing

User Manual

Benutzerinformation

Køleskab

Koelkast

Refrigerator

Kühlschrank

IKEF3290-2

Küppersbusch

FÜR KÜCHEN MIT STIL

CONTENTS

Safety information	29	Care and cleaning	36
Safety instructions	30	Troubleshooting	37
Operation	32	Technical information	40
Daily Use	34	Installation	40
Hints and tips	35		

Subject to change without notice.

SAFETY INFORMATION

Before the installation and use of the appliance, carefully read the supplied instructions. The manufacturer is not responsible if an incorrect installation and use causes injuries and damages. Always keep the instructions with the appliance for future reference.

Children and vulnerable people safety

- This appliance can be used by children aged from 8 years and above and persons with reduced physical, sensory or mental capabilities or lack of experience and knowledge if they have been given supervision or instruction concerning use of the appliance in a safe way and understand the hazards involved.
- Do not let children play with the appliance.
- Cleaning and user maintenance shall not be made by children without supervision.
- Keep all packaging away from children.

General Safety

- This appliance is intended to be used in household and similar applications such as:
 - Farm houses; staff kitchen areas in shops, offices and other working environments
 - By clients in hotels, motels, bed and breakfast and other residential type environments
- Keep ventilation openings, in the appliance enclosure or in the built-in structure, clear of obstruction.

- Do not use mechanical devices or other means to accelerate the defrosting process, other than those recommended by the manufacturer.
- Do not damage the refrigerant circuit.
- Do not use electrical appliances inside the food storage compartments of the appliance, unless they are of the type recommended by the manufacturer.
- Do not use water spray and steam to clean the appliance.
- Clean the appliance with a moist soft cloth. Only use neutral detergents. Do not use abrasive products, abrasive cleaning pads, solvents or metal objects.
- Do not store explosive substances such as aerosol cans with a flammable propellant in this appliance.
- If the supply cord is damaged, it must be replaced by the manufacturer, its Authorised Service Centre or similarly qualified persons in order to avoid a hazard.

SAFETY INSTRUCTIONS

Installation



WARNING! Only a qualified person must install this appliance.

- Remove all the packaging.
- Do not install or use a damaged appliance.
- Obey the installation instruction supplied with the appliance.
- Always be careful when you move the appliance because it is heavy. Always wear safety gloves.
- Make sure the air can circulate around the appliance.
- Wait at least 4 hours before connecting the appliance to the power supply. This is to allow the oil to flow back in the compressor.
- Do not install the appliance close to radiators or cookers, oven or hobs.
- The rear of the appliance must stand against the wall.
- Do not install the appliance where there is direct sunlight.

- Do not install this appliance in areas that are too humid or too colds, such as the construction appendices, garages or wine cellars.
- When you move the appliance, lift it by the front edge to avoid scratching the floor.

Electrical connection



WARNING! Risk of fire and electrical shock.

- The appliance must be earthed.
- Make sure that the electrical information on the rating plate agrees with the power supply. If not, contact an electrician.
- Always use a correctly installed shockproof socket.
- Do not use multi-plug adapters and extension cables.
- Make sure not to cause damage to the electrical components (e.g. mains plug, mains cable, compressor). Contact the Authorised Service Centre or an

electrician to change the electrical components.

- The mains cable must stay below the level of the mains plug.
- Connect the mains plug to the mains socket only at the end of the installation. Make sure that there is access to the mains plug after the installation.
- Do not pull the mains cable to disconnect the appliance. Always pull the mains plug.

Use



WARNING! Risk of injury, burns, electrical shock or fire.

- Do not change the specification of this appliance.
- Do not put electrical appliances (e.g. ice cream makers) in the appliance unless they are stated applicable by the manufacturer.
- Be careful not to cause damage to the refrigerant circuit. It contains isobutane (R600a), a natural gas with a high level of environmental compatibility. This gas is flammable.
- If damage occurs to the refrigerant circuit, make sure that there are no flames and sources of ignition in the room. Ventilate the room.
- Do not let hot items to touch the plastic parts of the appliance.
- Do not store flammable gas and liquid in the appliance.
- Do not put flammable products or items that are wet with flammable products in, near or on the appliance.
- Do not touch the compressor or the condenser. They are hot.

Care and cleaning



WARNING! Risk of injury or damage to the appliance.

- Before maintenance, deactivate the appliance and disconnect the mains plug from the mains socket.
- This appliance contains hydrocarbons in the cooling unit. Only a qualified person must do the maintenance and the recharging of the unit.
- Regularly examine the drain of the appliance and if necessary, clean it. If the drain is blocked, defrosted water collects in the bottom of the appliance.

Disposal

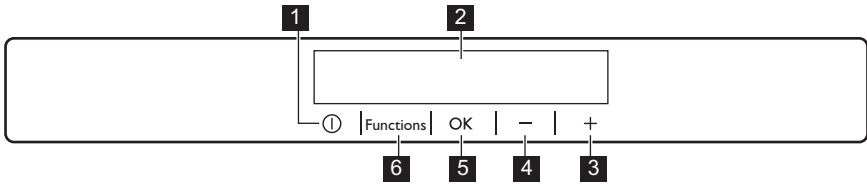


WARNING! Risk of injury or suffocation.

- Disconnect the appliance from the mains supply.
- Cut off the mains cable and discard it.
- Remove the door to prevent children and pets to be closed inside of the appliance.
- The refrigerant circuit and the insulation materials of this appliance are ozone-friendly.
- The insulation foam contains flammable gas. Contact your municipal authority for information on how to discard the appliance correctly.
- Do not cause damage to the part of the cooling unit that is near the heat exchanger.

OPERATION

Control panel

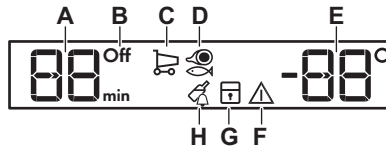


- | | |
|------------------------------------|---------------------------|
| 1 ON/OFF button | 5 OK button |
| 2 Display | 6 Functions button |
| 3 Temperature warmer button | |
| 4 Temperature colder button | |

It is possible to change predefined sound of buttons to a loudly one by pressing together Functions button and Temperature

colder button for some seconds. Change is reversible.

Display



- | | |
|--------------------------------------|---------------------------------|
| A) Timer function | F) Alarm indicator |
| B) Fridge off indicator | G) Child Lock function |
| C) Intensive Cooling function | H) Drinks Chill function |
| D) NaturaFresh indicator | |
| E) Temperature indicator | |

Switching on

Connect the mains plug to the power socket

1. Press the ON/OFF if the display is off. The temperature indicator shows the set default temperature.

2. The alarm buzzer may sound after a few seconds.

If "DEMO" appears on the display, the appliance is in demonstration mode. Refer to "Troubleshooting...".

i To select a different set temperature refer to "Temperature regulation".

Switching off

1. Press the appliance ON/OFF button for 5 seconds.
The display switches off.
2. Disconnect the mains plug from the power socket.

Temperature regulation

The default set temperature for the fridge is +5°C.

Set the temperature of the fridge by pressing the temperature button.

The temperature indicator shows the set temperature.



The set temperature will be reached within 24 hours.
After a power failure the set temperature remains stored.

DrinksChill function

The DrinksChill mode is to be used to set an acoustic alarm at the preferred time, useful, for example, when you want to rapidly chill food products for a certain length of time.

1. To switch on the function press Functions button until the corresponding icon appears.

The DrinksChill indicator flashes.

The timer shows the set value (30 minutes) for a few seconds.

2. Press the temperature colder button or temperature warmer button to change the Timer set value from 1 to 90 minutes.
3. Press OK to confirm.

DrinkChill indicator is shown. The Timer starts to flash (min).

At the end of the countdown the DrinksChill indicator flashes and an audible alarm sounds.

4. Press OK to switch off the sound and terminate the function.



It is possible to deactivate the function at any time during the countdown by pressing Functions until DrinksChill indicator flashes and then pressing OK to confirm.



It is possible to change the time during the countdown and at the end by pressing the temperature colder button and the temperature warmer button.

ChildLock function

To lock any possible operation through the buttons select the ChildLock function.

1. Press Functions button until the corresponding icon appears.
The ChildLock indicator flashes.
2. Press OK to confirm.
The ChildLock indicator is shown.
3. To switch off the function press Functions button until ChildLock indicator flashes, then press OK to confirm.

The ChildLock indicator goes off.

IntensiveCooling

If you need to insert a large amount of warm food, for example after doing the grocery shopping, we suggest activating the IntensiveCooling to chill the products more rapidly and to avoid warming the other food which is already in the refrigerator.

The IntensiveCooling shuts off automatically after approximately 6 hours.

1. To switch on the function:
 - a. Press Functions until the corresponding icon appears.
The IntensiveCooling indicator flashes.
 - b. Press OK to confirm.

The IntensiveCooling indicator is shown.

2. To switch off the function before its automatic end:
 - a. Press Functions until the IntensiveCooling indicator flashes.
 - b. Press OK to confirm.

The IntensiveCooling indicator goes off.



The function switches off by selecting a different fridge set temperature.

NaturaFresh compartment setting

1. Press Functions until the corresponding icon appears.

'3' should be displayed on the setting indicator. This is the default setting that ensures the most effective performance.

2. To adjust the temperature select the preferable setting 1–5 (1 being the coldest, 5 the warmest).

DAILY USE

Cleaning the interior

Before using the appliance for the first time, wash the interior and all internal accessories with lukewarm water and some neutral soap so as to remove the typical smell of a brand-new product, then dry thoroughly.



Do not use detergents or abrasive powders, as these will damage the finish.

Movable shelves

The walls of the refrigerator are equipped with a series of supports so that the shelves can be positioned as desired.

For better use of space, the front half-shelves (A) can be placed under the rear ones. (B)

3. Press the temperature buttons on the control panel to reach the desired setting.
4. Press OK to confirm the setting. The indicator returns to the fridge temperature setting in a few seconds.

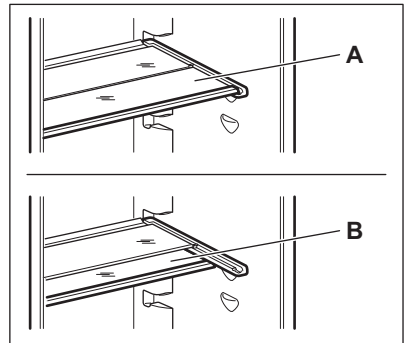
Door open alarm

An acoustic alarm will sound if the door is left open for a few minutes. The door open alarm conditions are indicated by:

- a flashing alarm indicator;
- an acoustic buzzer.

When normal conditions are restored (door closed), the alarm will stop.

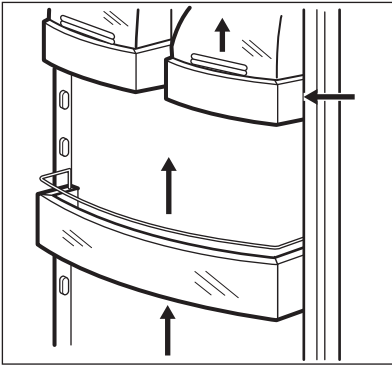
During the alarm phase, the buzzer can be switched off by pressing any control panel button.



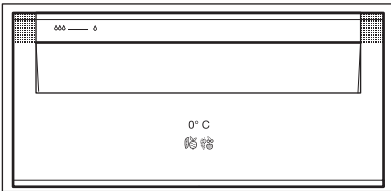
Positioning the door shelves

To permit storage of food packages of various sizes, the door shelves can be placed at different heights.

1. Gradually pull the shelf in the direction of the arrows until it comes free.
2. Reposition as required.



Humidity control



Both drawers can be used according to the desired storage conditions independently of each other with lower or higher humidity.

Regulation for each drawer is separate and is controlled using the slide valve at the front of the drawer.

- “Dry”: low air humidity - up to 50 % relative humidity
This humidity level is reached when both sliders are set into this position δ and the ventilation openings are wide open.
- Humid”: high relative humidity - up to 90%
This humidity level is reached when both sliders are set in this position Δ and the ventilation openings are closed. Humidity is kept and can not escape.

HINTS AND TIPS

Normal operating sounds

The following sounds are normal during operation:

- A faint gurgling and bubbling sound from coils sound when refrigerant is pumped.

NaturaFresh Compartment

The storage temperature and the relative humidity (between 45 and 90 %) provide optimal conditions for the storage of various kinds of food.

To learn about the temperature settings in the NaturaFresh compartment please refer to the “NaturaFresh compartment setting” section

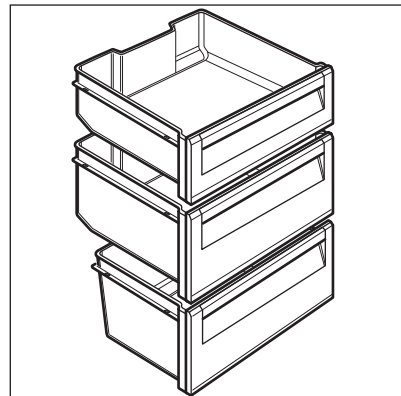
NaturaFresh compartment is suitable for the storage of a variety of fresh food as it preserves its high nutritional values as well as high humidity level much longer in comparison to the regular refrigerator.

The NaturaFresh compartment is also suitable for defrosting food.

The thawed food can be stored up to two days.

Drawer

The compartment has stops to prevent the drawers from falling out when fully extended.



- A whirring and pulsating sound from the compressor when refrigerant is pumped.
- A sudden cracking noise from inside appliance caused by thermic dilatation (a natural and not dangerous physical phenomenon).

- A faint click noise from the temperature regulator when the compressor switches on or off.

Hints for energy saving

- Do not open the door frequently or leave it open longer than absolutely necessary.

Hints for fresh food refrigeration

To obtain the best performance:

- do not store warm food or evaporating liquids in the refrigerator
- do cover or wrap the food, particularly if it has a strong flavour
- position food so that air can circulate freely around it

Hints for refrigeration

Useful hints:

- Meat (all types) : wrap in polythene bags and place on the glass shelf above the vegetable drawer.

- For safety, store in this way only one or two days at the most.
- Cooked foods, cold dishes, etc...: these should be covered and may be placed on any shelf.
- Fruit and vegetables: these should be thoroughly cleaned and placed in the special drawer(s) provided.
- Butter and cheese: these should be placed in special airtight containers or wrapped in aluminium foil or polythene bags to exclude as much air as possible.
- Bottles: these need a cap and should be stored on the door bottle shelf, or (if equipped) on the bottle rack.
- Bananas, potatoes, onions and garlic, if not packed, must not be kept in the refrigerator.

CARE AND CLEANING



WARNING! Refer to Safety chapters.

General warnings



CAUTION! Unplug the appliance before carrying out any maintenance operation.



This appliance contains hydrocarbons in its cooling unit; maintenance and recharging must therefore only be carried out by authorized technicians.



The accessories and parts of the appliance are not suitable for washing in a dishwasher.

Periodic cleaning



CAUTION! Do not pull, move or damage any pipes and/or cables inside the cabinet.



CAUTION! Take care of not to damage the cooling system.



CAUTION! When moving the cabinet, lift it by the front edge to avoid scratching the floor.

The equipment has to be cleaned regularly:

1. Clean the inside and accessories with lukewarm water and some neutral soap.
2. Regularly check the door seals and wipe clean to ensure they are clean and free from debris.
3. Rinse and dry thoroughly.
4. If accessible, clean the condenser and the compressor at the back of the appliance with a brush.

This operation will improve the performance of the appliance and save electricity consumption.

The lowest shelf, dividing the cooler compartment from the compartment can be removed only for cleaning. To remove pull out the shelf straight.



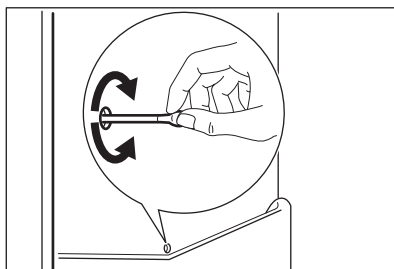
To make sure fully functionality of the 0°C compartment the lowest shelf and cover plates must be put back in their original position after cleaning.

The cover plates above the drawers in the compartment can be taken out for cleaning.

Defrosting of the refrigerator

Frost is automatically eliminated from the evaporator of the refrigerator compartment every time the motor compressor stops, during normal use. The defrost water drains out through a trough into a special container at the back of the appliance, over the motor compressor, where it evaporates.

It is important to periodically clean the defrost water drain hole in the middle of the refrigerator compartment channel to prevent the water overflowing and dripping onto the food inside.



Periods of non-operation

When the appliance is not in use for long periods, take the following precautions:

1. Disconnect the appliance from electricity supply.
2. Remove all food.
3. Clean the appliance and all accessories.
4. Leave the door/doors open to prevent unpleasant smells.



WARNING! If the cabinet will be kept on, ask somebody to check it once in a while to prevent the food inside from spoiling in case of a power failure.

TROUBLESHOOTING



WARNING! Refer to Safety chapters.

What to do if...

Problem	Possible cause	Solution
The appliance does not operate.	The appliance is switched off.	Switch on the appliance.
	The mains plug is not connected to the mains socket correctly.	Connect the mains plug to the mains socket correctly.
	There is no voltage in the mains socket.	Connect a different electrical appliance to the mains socket. Contact a qualified electrician.

Problem	Possible cause	Solution
The appliance is noisy.	The appliance is not supported properly.	Check if the appliance stands stable.
Audible or visual alarm is on.	The cabinet has been recently switched on or the temperature is still too high.	Refer to "Door Open Alarm" or "High Temperature Alarm".
	The temperature in the appliance is too high.	Refer to "Door Open Alarm" or "High Temperature Alarm".
	The door is left open.	Close the door.
	The temperature in the appliance is too high.	Contact a qualified electrician or contact the nearest Authorised Service Centre.
A rectangular symbol is shown instead of numbers on the Temperature Display.	Temperature sensor problem.	Contact the nearest Authorised Service Centre (the cooling system will continue to keep food products cold, but temperature adjustment will not be possible).
The lamp does not work.	The lamp is in stand-by.	Close and open the door.
The lamp does not work.	The lamp is defective.	Contact the nearest Authorised Service Centre.
The compressor operates continually.	Temperature is set incorrectly.	Refer to "Operation" chapter.
	Many food products were put in at the same time.	Wait some hours and then check the temperature again.
	The room temperature is too high.	Refer to climate class chart on the rating plate.
	Food products placed in the appliance were too warm.	Allow food products to cool to room temperature before storing.
	The door is not closed correctly.	Refer to "Closing the door".
	The IntensiveCooling function is switched on.	Refer to "IntensiveCooling function".
The compressor does not start immediately after pressing the IntensiveCooling, or after changing the temperature.	This is normal, no error has occurred.	The compressor starts after a period of time.

Problem	Possible cause	Solution
Water flows inside the refrigerator.	The water outlet is clogged.	Clean the water outlet.
	Food products prevent that water flows into the water collector.	Make sure that food products do not touch the rear plate.
Water flows on the floor.	The melting water outlet is not connected to the evaporative tray above the compressor.	Attach the melting water outlet to the evaporative tray.
Temperature cannot be set.	The FastFreeze or IntensiveCooling function is switched on.	Switch off FastFreeze or IntensiveCooling manually, or wait until the function resets automatically to set the temperature. Refer to "FastFreeze or IntensiveCooling function".
DEMO appears on the display.	The appliance is in demonstration mode.	Keep the OK pressed for approximately 10 seconds until a long sound is heard and display shuts off for a short time.
The temperature in the appliance is too low/too high.	The temperature regulator is not set correctly.	Set a higher/lower temperature.
	The door is not closed correctly.	Refer to "Closing the door".
	The food products' temperature is too high.	Let the food products temperature decrease to room temperature before storage.
	Many food products are stored at the same time.	Store less food products at the same time.
	The door has been opened often.	Open the door only if necessary.
	The IntensiveCooling function is switched on.	Refer to "IntensiveCooling function".
	There is no cold air circulation in the appliance.	Make sure that there is cold air circulation in the appliance.



If the advice does not lead to the desired result, contact the nearest Authorised Service Centre.

Closing the door

1. Clean the door gaskets.
2. If necessary, adjust the door. Refer to "Installation".
3. If necessary, replace the defective door gaskets. Contact the Authorised Service Centre.

Replacing the lamp

The appliance is equipped with a longlife LED interior light.

Only service is allowed to replace the lighting device. Contact your Authorised Service Centre.

TECHNICAL INFORMATION

Technical data

Dimensions of the recess		
Height	mm	1780
Width	mm	560
Depth	mm	550
Voltage	Volts	230 - 240
Frequency	Hz	50

The technical information are situated in the rating plate, on the external or internal side of the appliance and in the energy label.

INSTALLATION



WARNING! Refer to Safety chapters.

Positioning

This appliance can be installed in a dry, well ventilated indoor where the ambient temperature corresponds to the climate class indicated on the rating plate of the appliance:

Cli- mate class	Ambient temperature
SN	+10°C to + 32°C
N	+16°C to + 32°C
ST	+16°C to + 38°C
T	+16°C to + 43°C



Some functional problems might occur for some types of models when operating outside of that range. The correct operation can only be guaranteed within the specified temperature range. If you have any doubts regarding where to install the appliance, please turn to the vendor, to our customer service or to the nearest Authorised Service Centre.

Electrical connection

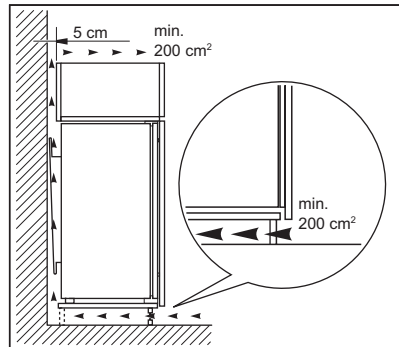
- Before plugging in, ensure that the voltage and frequency shown on the rating plate correspond to your domestic power supply.
- The appliance must be earthed. The power supply cable plug is provided with a contact for this purpose. If the domestic power supply socket is not earthed, connect the appliance to a separate earth in compliance with

current regulations, consulting a qualified electrician.


- The manufacturer declines all responsibility if the above safety precautions are not observed.
- This appliance complies with the E.E.C. Directives.

Ventilation requirements

The airflow behind the appliance must be sufficient.



ENVIRONMENT CONCERNS

Recycle the materials with the symbol . Put the packaging in applicable containers to recycle it. Help protect the environment and human health and to recycle waste of electrical and electronic appliances. Do not

dispose appliances marked with the symbol  with the household waste. Return the product to your local recycling facility or contact your municipal office.

Küppersbusch Hausgeräte GmbH

Postfach 10 01 32, D-45801 Gelsenkirchen, Küppersbuschstr. 16, D-45883 Gelsenkirchen

Telefon: (02 09) 4 01-0, Telefax: (02 09) 4 01-3 03

www.kueppersbusch.de