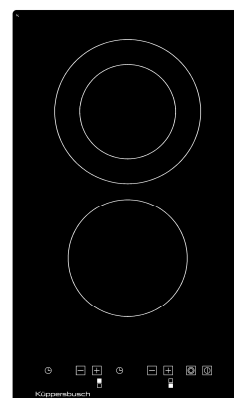


BEDIENUNGSANWEISUNG

mit Montageanweisungen

- Ⓒ GB Instructions for use and installation
- Ⓒ F Instructions d'utilisation et d'installation

EKE3721.1ED



Küppersbusch

Dear customers,

Thank you for having chosen a KÜPPERSBUSCH ceramic hob

In order to install properly your appliance and to make the best use of it, please read this entire instruction manual carefully.

SUMMARY

SAFETY	16
PRECAUTIONS BEFORE USING.....	16
USING THE APPLIANCE	16
PRECAUTIONS NOT TO DAMAGE THE APPLIANCE	17
PRECAUTIONS IN CASE OF APPLIANCE FAILURE.....	17
OTHER PROTECTIONS	17
DESCRIPTION OF THE APPLIANCE	18
TECHNICAL DATA.....	18
CONTROL PANEL	18
USE	18
SENSITIVE TOUCHES.....	18
DISPLAY	19
RESIDUAL HEAT INDICATION	19
STARTING UP THE APPLIANCE	19
BEFORE USING YOUR NEW HOB.....	19
STARTING-UP.....	19
EXTENSION ZONE	20
AUTOMATIC COOKING	20
CONTROL PANEL LOCKING.....	22
OPERATING TIME	22
COOKING ADVICES	23
EXAMPLES OF POWER SETTING:.....	23
MAINTENANCE AND CLEANING	23
WHAT TO DO IN CASE OF A PROBLEM	24
ENVIRONMENT PROTECTION	24
INSTALLATION INSTRUCTIONS	25
ELECTRICAL CONNECTION	26

SAFETY

Precautions before using

- Unpack all the materials.
- The installation and connecting of the appliance have to be done by approved specialists. The manufacturer cannot be responsible for damage caused by building-in or connecting errors.
- To be used, the appliance must be well-equipped and installed in a kitchen unit and an adapted and approved work surface.
- This domestic appliance is exclusively for the cooking of food, to the exclusion of any other domestic, commercial or industrial use.
- Remove all labels and self-adhesives from the ceramic glass.
- Do not change or alter the appliance.
- The cooking plate cannot be used as freestanding or as working surface.
- The appliance must be grounded and connected conforming to local standards.
- Do not use any extension cable to connect it.
- The appliance cannot be used above a dishwasher or a tumble-dryer: steam may damage the electronic appliances.

Using the appliance

- Switch the heating zones off after using.
- Keep an eye on the cooking using grease or oils: that may quickly ignite.
- Be careful not to burn yourself while or after using the appliance.
- Make sure no cable of any fixed or moving appliance contacts with the glass or the hot saucepan.
- Magnetically objects (credit cards, floppy disks, calculators) should not be placed near to the engaged appliance.
- Metallic objects such as knives, forks, spoons and lids should not be placed on the hob surface since they can get hot.
- In general do not place any metallic object except heating containers on the glass surface. In case of untimely engaging or residual heat, this one may heat, melt or even burn.
- Never cover the appliance with a cloth or a protection sheet. This is supposed to become very hot and catch fire.
- This appliance is not intended for use by persons (including children) with reduced physical, sensory or mental capabilities, or lack of experience and knowledge, unless they have been given supervision or instruction concerning use of the appliance by a person responsible for their safety.
- Children should be supervised to ensure that they do not play with the appliance.

Precautions not to damage the appliance

- Raw pan bottoms or damaged saucepans (not enamelled cast iron pots,) may damage the ceramic glass.
- Sand or other abrasive materials may damage ceramic glass.
- Avoid dropping objects, even little ones, on the vitroceramic.
- Do not hit the edges of the glass with saucepans.
- Make sure that the ventilation of the appliance works according to the manufacturer's instructions.
- Do not put or leave empty saucepans on the vitroceramic hobs.
- Sugar, synthetic materials or aluminium sheets must not contact with the heating zones. These may cause breaks or other alterations of the vitroceramic glass by cooling: switch on the appliance and take them immediately out of the hot heating zone (be careful: do not burn yourself).
- Never place any hot container over the control panel.
- If a drawer is situated under the embedded appliance, make sure the space between the content of the drawer and the inferior part of the appliance is large enough (2 cm). This is essential to guaranty a correct ventilation.
- Never put any inflammable object (ex. sprays) into the drawer situated under the vitroceramic hob. The eventual cutlery drawers must be resistant to heat.

Precautions in case of appliance failure

- If a defect is noticed, switch off the appliance and turn off the electrical supplying.
- If the ceramic glass is cracked or fissured, you must unplug the appliance and contact the after sales service.
- Repairing has to be done by specialists. Do not open the appliance by yourself.
- **WARNING:** If the surface is cracked, switch off the appliance to avoid the possibility of electric shock.

Other protections

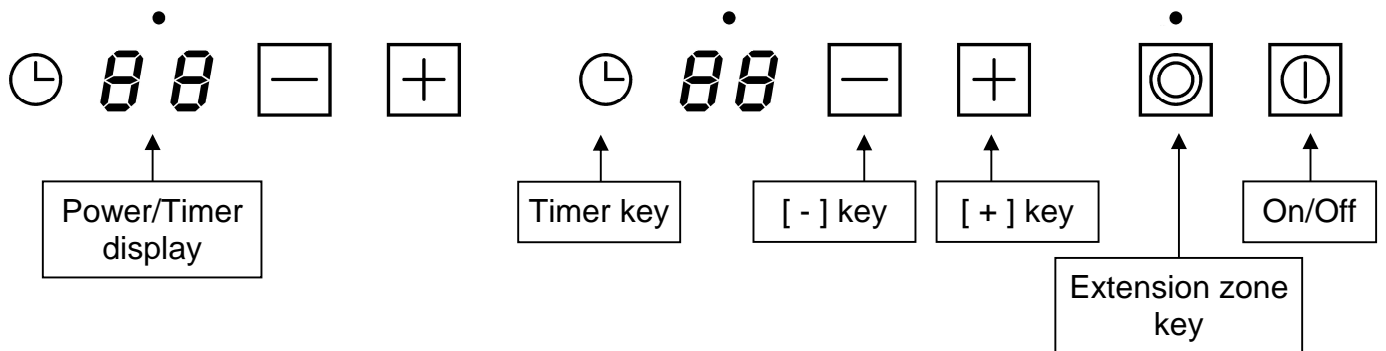
- Note sure that the container pan is always centred on the cooking zone. The bottom of the pan must have to cover as much as possible the cooking zone.
- For the users of pacemaker, the magnetic field could influence its operating. We recommend getting information to the retailer or of the doctor.
- Do not to use aluminium or synthetic material containers: they could melt on still hot cooking zones.

DESCRIPTION OF THE APPLIANCE

Technical data

Type	Total power	Heating zone location	Power	Diameter
EKE3721.1ED	2900 W	Front Rear	1200 W 700 / 1700 W	155 mm 125 / 190 mm

Control panel



USE

Sensitive touches

Your ceramic hob is equipped with electronic controls with sensitive touch keys. When your finger touches the key, the corresponding command is activated. This activation is validated by a control light, a letter or a number in the display and/or a “beep” sound.

Touch only one key on the same time.

Display

<u>Display</u>	<u>Designation</u>	<u>Function</u>
0	Zero	The heating zone is activated
1...9	Power level	Selection of the cooking level
A	Heat accelerator	Automatic cooking
E	Error message	Electronic failure
H	Residual heat	The heating zone is hot
L	Locking	The control panel is locked

Residual heat indication

After the switch-off of the hob, the heating zone is still hot and indicates [H] on the display.

The symbol [H] disappears when the heating zone may be touched safely.

When the residual heat indicator light is on, don't touch the heating zone and don't put any heat sensitive object on them. **There are risks of burn and fire.**

STARTING UP THE APPLIANCE

Before using your new hob

Clean your hob with a damp cloth, and then dry the surface thoroughly. Do not use detergent which risks causing blue-tinted colour on the glass surface.

Starting-up

- **Start-up/ switch off the hob**

<u>Action</u>	<u>Control panel</u>	<u>Display</u>
To start	press key []	[0]
To stop	press key []	nothing or [H]



- **Start-up/ switch off a heating zone**

<u>Action</u>	<u>Control panel</u>	<u>Display</u>
Increase power	press key [+]	[1] to [9]
Decrease power	press key [-]	[9] to [1]
Stop	press simultaneous [+] and [-] or press key [-]	[0] or [H] [0] or [H]

If no action is made within 10 second the electronics returns in waiting position.

Extension zone


- **Switch off/on the extension zone**

<u>Action</u>	<u>Control panel</u>	<u>Display</u>
select zone	Press key [+]	[4]
Increase power	Press key [+]	[1] to [9]
Switch off	Touch key []	Extension zone light is off
Switch on	Touch key []	Extension zone light is on

Timer



The timer is able to be used simultaneous with all 2 heating zones and this with different time settings (from 0 to 99 minutes) for each heating zone.

- **Setting and modification of the cooking time :**

<u>Action</u>	<u>Control panel</u>	<u>Display</u>
Zone selection	Press key [+] from the zone	[0]
Increase power	Press key [+] or [-]	[1] to [9]
To select « Timer »	Press key []	[00] LED blink
Decrease the time	Press key [-]	[30] to [00]
Increase the time	Press key [+]	[00] to [99]



The time is confirmed and the cooking starts when the LED stop to blink.

- **To stop the cooking time :**

<u>Action</u>	<u>Control panel</u>	<u>Display</u>
To select « Timer »	Press key []	The remaining time
To stop the « Timer »	Press key [-]	[00]
Confirmation	Press key []	[00] then stops

If several timers are activated repeat the process.

- **Egg timer function :**


<u>Action</u>	<u>Control panel</u>	<u>Display</u>
Activate the hob	Press key []	[0] or [H]
Select« Timer »	Press key []	[00] LED blink
Decrease the time	Press key [-]	[30] to [00]
Increase the time	Press key [+]	[00] to [99]

After a few seconds the control light stops with blinking.

As soon as the selected cooking time is finished the timer displays blinking [00] and a sound rings.

To stop the sound and the blinking it is enough to press [].

- **Automatic stop at the end of the cooking time :**

As soon as the selected cooking time is finished the timer displays blinking [00] and a sound rings. To stop the sound and the blinking it is enough to press [].

Automatic cooking

All the cooking zones are equipped with an automatic “go and stop” cooking device. The cooking zone starts at full power during a certain time, then reduces automatically its power on the preselected level.

- **Start-up :**

Action

Zone selection
 Full power setting
 Automatic cooking
 Power level selection
 (for example « 7 »)

Control panel

press key [+] from the zone
 repress key [+]
 repress key [+]
 press key [-]

Display

[4]
 [4] to [9]
 [9] is blinking with [A]
 [9] goes to [8] [7]
 [7] is blinking with [A]

- **Switching off the automatic cooking :**

Action

Zone selection
 (for example « 7 »)
 Power level selection

Control panel

press key [+] from the zone

 press key [-] or [+]


Display

[7] is blinking with [A]



 Level selected

Selected power	Automatic cooking time (Min:S)
1	00:48
2	02:24
3	03:36
4	05:24
5	06:48
6	02:00
7	02:48
8	03:36
9	- :-


Control panel locking

To avoid modifying a setting of cooking zones, in particular with within the framework of cleaning the control panel can be locked (with exception to the On/Off key []).


- **Locking**

<u>Action</u>	<u>Control panel</u>	<u>Display</u>
Start	Press key []	[0] or [H] on displays
Hob locking	Press simultaneously [] and [-]	LED on

- **Unlocking**

<u>Action</u>	<u>Control panel</u>	<u>Display</u>
Start	Press key []	[L] on displays

In the 5 seconds after start:

Press simultaneously [] and [-] LED off

Operating time

Each cooking zone is equipped with an operating time limitation: the cooking zone is automatically switched off after a certain time without any change of settings. This time is varying according to the selected power level as described in the table below.

Power level	Max operating time (hours)
1	8.5
2	6.5
3	5
4	4
5	3.5
6	3
7	2.5
8	2
9	1,5

COOKING ADVICES

Examples of power setting:

(The values below are indicative)

1 to 2	Melting, Reheating	Sauces, butter, chocolate, gelatine Dishes prepared beforehand
2 to 3	Simmering, Defrosting	Rice, pudding, sugar syrup Dried vegetables, fish, frozen products
3 to 4	Steam	Vegetables, fish, meat
4 to 5	Water	Steamed potatoes, soups, pasta, fresh vegetables
6 to 7	Medium cooking, Simmering	Meat, liver, eggs, sausages,
7 to 8	Cooking	Potatoes, fritters, waffles
9	Frying, roasting, Boiling water	Steaks, omelettes, fried dishes, water

MAINTENANCE AND CLEANING

Switch-off the appliance before cleaning.

Do not clean the hob if the glass is too hot because they are risk of burn.

- Remove light marks with a damp cloth with washing up liquid diluted in a little water. Then rinse with cold water and dry the surface thoroughly.
- Highly corrosive or abrasive detergents and cleaning equipment likely to cause scratches must be absolutely avoided.
- Do not ever use any steam-driven or pressure appliance.
- Do not use any object that may scratch the ceramic glass.
- Ensure that the pan is dry and clean. Ensure that there are no grains of dust on your ceramic hob or on the pan. Sliding rough saucepans will scratch the surface.
- Spillages of sugar, jam, jelly, etc. must be removed immediately. You will thus prevent the surface being damaged.

WHAT TO DO IN CASE OF A PROBLEM

The hob or the cooking zone doesn't start-up:

- The hob is badly connected to the electrical system.
- The protection fuse has blown.
- The locking function is activated
- The sensitive keys are covered by grease or water.
- An object is covering the control panel.

The symbol [E] displays :

- Call the After-sales Service.

One or all cooking zones cut-off:

- The safety system has engaged
- You forgot to cut-off the cooking zone for a long time.
- One or more sensitive keys are covered.
- The pan is empty and has overheated.

The automatic cooking system « go and stop » doesn't start-up:

- The cooking zone is still hot [H]
- The highest power level is set [9]
- The cooking level was engaged with [-]

The symbol [L] displays :

- Refer to the chapter control panel locking page.

ENVIRONMENT PROTECTION

- The packaging material is ecological and can be recycled.
- The worn appliances contain certain noble metals. Apply to the local government about the possibilities of recycling.

- | |
|--|
| <ul style="list-style-type: none">• Don't dispose of your appliance with general household waste• Get in touch with the waste collection centre of your local council that control the recycling of household appliances. |
|--|

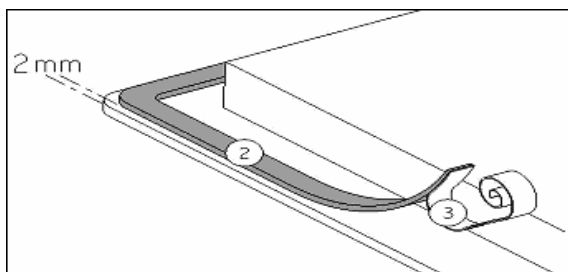


INSTALLATION INSTRUCTIONS

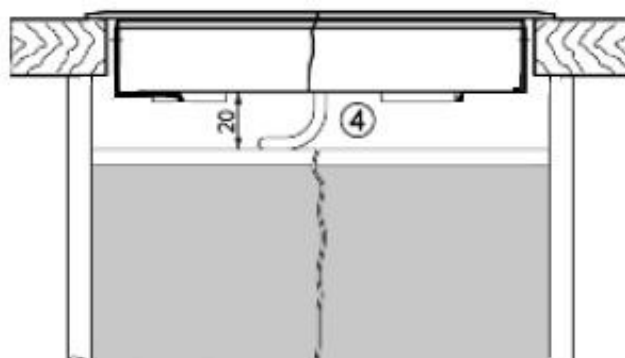
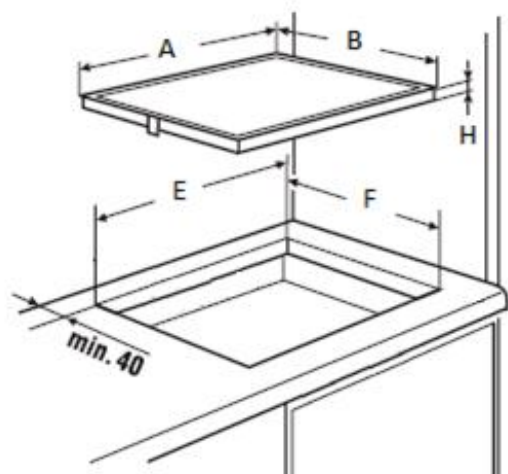
The installation must be performed by a qualified electrical contractor. This contractor will take the entire responsibility of the installation. The installation has to comply with the legislation and the standards in force in your country.

How to stick the gasket:

The gasket supplied with the hob prevents the intrusion of liquids into the cabinet below. Its installation has to be done carefully, as described below.



Stick the gasket (2) two millimeters from the external edge of the glass, after removing the protection tape (3).



Fitting - installing:

- **Cut out sizes of the worktop:**

	A	B	E	F	H
EKE3721.1ED	298 mm	518 mm	280 mm	490 mm	42 mm

- **Ensure that there is a distance of 40 mm between the hob and the wall or sides.**
- The hobs are classified as “Y” class for heat protection. Ideally the hob should be installed with plenty of space on either side. There may be a wall at the rear and tall units or a wall at one side. **On the other side, however, no unit or divider must stand higher than the hob.**
- The piece of furniture or the support in which the hob is to be fitted, as well as the edges of furniture, the laminate coatings and the glue used to fix them, must be able to resist temperatures of up to 75 °C.
- The mural rods of edge must be heat-resisting.

- Not to install the hob to the top of a not ventilated oven or a dishwasher.
- To guarantee under the bottom of the hob casing a space of 20 mm to ensure a good air circulation of the electronic device.
- If a drawer is placed under the work, avoid to put into this drawer flammable objects (for example: sprays) or not heat-resistant objects.
- Materials which are often used to make worktops expand on contact with water. To protect the cut out edge, apply a coat of varnish or special sealant. Particular care must be given to applying the adhesive joint supplied with the hob to prevent any leakage into the supporting furniture. This gasket guarantees a correct seal when used in conjunction with smooth work top surfaces.
- The safety gap between the hob and the cooker hood placed above must respect the indications of the hood manufacturer. In case of absence of instructions respect a distance minimum of 760 mm.
- The connection cord should not be subjected, after building-in, to any mechanical constraint (for instance constraint given by a drawer installed below).

ELECTRICAL CONNECTION

- The installation of this appliance and the connection to the electrical network should be entrusted only to an electrician perfectly to the fact of the normative regulations and which respects them scrupulously.
- Protection against the parts under tension must be ensured after the building-in.
- The data of connection necessary are on the stickers place on the hob casing near the connection box.
- The connection to the main must be made using an earthed plug or via an omnipolar circuit breaking device with a contact opening of at least 3 mm.
- The electrical circuit must be separated from the network by adapted devices, for example: circuit breakers, fuses or contactors.
- If the appliance is not fitted with an accessible plug, disconnecting means must be incorporated in the fixed installation, in accordance with the installation regulations.
- The inlet hose must be positioned so that it does not touch any of the hot parts of the hob or oven.

Caution!

This appliance must only be connected to a network 230 V~ 50/60 Hz.

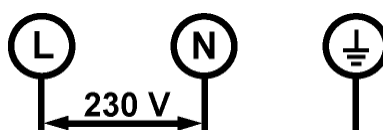
Always connect the earth wire.

Respect the connection diagram.

The connection box is located underneath at the back of the hob casing. To open the cover, use a medium screwdriver. Place it in the slits and open the cover. Attach the earth to the terminal "earth", the neutral N to terminal N, the Phase L1 to one of the terminals L.

Mains	Connection	Cable diameter	Cable	Protection calibre
230V~ 50/60Hz	1 Phase + N	3 x 1.5 mm ²	H 05 VV - F H 05 RR - F	16 A *

* calculated with the simultaneous factor following the standard EN 60 335-2-6/1990



Caution! Ensure that the cables are correctly inserted and tightly screwed down.

We cannot be held responsible for any incident resulting from incorrect connection or which could arise from the use of an appliance which has not been earthed or has been equipped with a faulty earth connection.