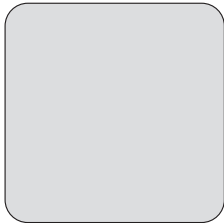
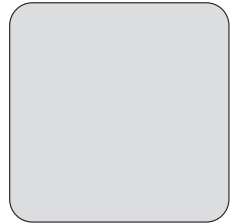


Gebruik-
saanwijzing

User Manual

Benutzerin-
formation



Wijnkelder

Wine cellar

Weinkühls-
chrank

EWK178002Z

Küppersbusch

FÜR KÜCHEN MIT STIL

CONTENTS

Safety information	15	Care and cleaning	21
Safety Instructions	16	Troubleshooting	22
Operation	18	Installation	24
Daily Use	19	Technical information	26

Subject to change without notice.

SAFETY INFORMATION

Before the installation and use of the appliance, carefully read the supplied instructions. The manufacturer is not responsible if an incorrect installation and use causes injuries and damages. Always keep the instructions with the appliance for future reference.

Children and vulnerable people safety

- This appliance can be used by children aged from 8 years and above and persons with reduced physical, sensory or mental capabilities or lack of experience and knowledge if they have been given supervision or instruction concerning use of the appliance in a safe way and understand the hazards involved.
- Do not let children play with the appliance.
- Keep all packaging away from children.
- Cleaning and user maintenance shall not be made by children without supervision.

General Safety

- This appliance is intended to be used in household and similar applications such as:
 - Farm houses; staff kitchen areas in shops, offices and other working environments
 - By clients in hotels, motels, bed and breakfast and other residential type environments
- Use this appliance for storage of wine only.
- Keep ventilation openings, in the appliance enclosure or in the built-in structure, clear of obstruction.

- Do not use mechanical devices or other means to accelerate the defrosting process, other than those recommended by the manufacturer.
- Do not damage the refrigerant circuit.
- Do not use electrical appliances inside the food storage compartments of the appliance, unless they are of the type recommended by the manufacturer.
- Do not use water spray and steam to clean the appliance.
- Clean the appliance with a moist soft cloth. Only use neutral detergents. Do not use abrasive products, abrasive cleaning pads, solvents or metal objects.
- Do not store explosive substances such as aerosol cans with a flammable propellant in this appliance.
- If the supply cord is damaged, it must be replaced by the manufacturer, its service agent or similarly qualified persons in order to avoid a hazard.

SAFETY INSTRUCTIONS

Installation



WARNING! Only a qualified person must install this appliance.

- Remove all the packaging.
- Do not install or use a damaged appliance.
- Obey the installation instruction supplied with the appliance.
- Always be careful when you move the appliance because it is heavy. Always wear safety gloves.
- Make sure the air can circulate around the appliance.
- Wait at least 4 hours before connecting the appliance to the power supply. This is to allow the oil to flow back in the compressor.
- Do not install the appliance close to radiators or cookers, oven or hobs.
- The rear of the appliance must stand against the wall.
- Do not install the appliance where there is direct sunlight.

- Do not install this appliance in areas that are too humid or too colds, such as the construction appendices, garages or wine cellars.
- When you move the appliance, lift it by the front edge to avoid scratching the floor.

Electrical connection



WARNING! Risk of fire and electrical shock.

- The appliance must be earthed.
- All electrical connections should be made by a qualified electrician.
- Make sure that the electrical information on the rating plate agrees with the power supply. If not contact an electrician.
- Always use a correctly installed shockproof socket.
- Do not use multi-plug adapters and extension cables.
- Make sure not to cause damage to the electrical components (e.g. mains plug, mains cable, compressor). Contact the

Service or an electrician to change the electrical components.

- The mains cable must stay below the level of the mains plug.
- Connect the mains plug to the mains socket only at the end of the installation. Make sure that there is access to the mains plug after the installation.
- Do not pull the mains cable to disconnect the appliance. Always pull the mains plug.

Use



WARNING! Risk of injury, burns, electrical shock or fire.

- Do not change the specification of this appliance.
- Do not put electrical appliances (e.g. ice cream makers) in the appliance unless they are stated applicable by the manufacturer.
- Be careful not to cause damage to the refrigerant circuit. It contains isobutane (R600a), a natural gas with a high level of environmental compatibility. This gas is flammable.
- If damage occurs to the refrigerant circuit, make sure that there are no flames and sources of ignition in the room. Ventilate the room.
- Do not let hot items to touch the plastic parts of the appliance.
- Do not store flammable gas and liquid in the appliance.
- Do not put flammable products or items that are wet with flammable products in, near or on the appliance.
- Do not touch the compressor or the condenser. They are hot.

Care and cleaning



WARNING! Risk of injury or damage to the appliance.

- Before maintenance, deactivate the appliance and disconnect the mains plug from the mains socket.
- This appliance contains hydrocarbons in the cooling unit. Only a qualified person must do the maintenance and the recharging of the unit.
- Regularly examine the drain of the appliance and if necessary, clean it. If the drain is blocked, defrosted water collects in the bottom of the appliance.

Disposal

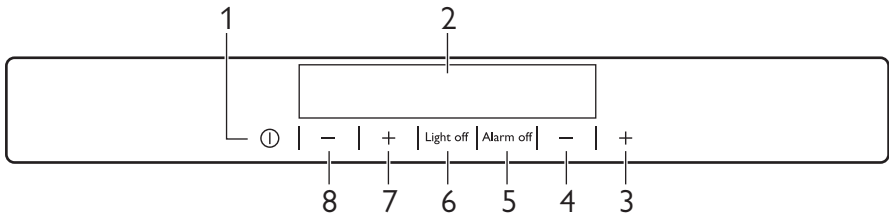


WARNING! Risk of injury or suffocation.

- Disconnect the appliance from the mains supply.
- Cut off the mains cable and discard it.
- Remove the door to prevent children and pets to be closed inside of the appliance.
- The refrigerant circuit and the insulation materials of this appliance are ozone-friendly.
- The insulation foam contains flammable gas. Contact your municipal authority for information on how to discard the appliance correctly.
- Do not cause damage to the part of the cooling unit that is near the heat exchanger.

OPERATION

Control panel



- 1** Appliance ON/OFF button
- 2** Display
- 3** Bottom Compartment Temperature warmer button
- 4** Bottom Compartment Temperature colder button
- 5** Alarm off button
- 6** Light off button
- 7** Top Compartment Temperature warmer button

- 8** Top Compartment Temperature colder button

It is possible to change predefined sound of buttons to a loudly one by pressing together Light off button and Temperature colder button for some seconds. Change is reversible.

Display



- A)** Top Compartment indicator
- B)** Top Compartment temperature indicator and timer indicator
- C)** Bottom Compartment temperature indicator
- D)** Bottom Compartment indicator
- E)** Alarm indicator

- 2.** Press the ON/OFF button if the display is off.

If "dEMo" appears on the display, the appliance is in demonstration mode. Refer to "What to do if...".

The temperature indicators show the set default temperature.

To select a different set temperature refer to "Temperature regulation".

Switching on

- 1.** Connect the mains plug to the power socket.

Switching off

1. Press the appliance ON/OFF button for 5 seconds.
The display switches off.
2. Disconnect the mains plug from the power socket.

Temperature regulation

The set temperature of the wine cellar may be adjusted by pressing the temperature regulators.

The temperature indicators show the set temperature.

The set temperature will be reached within 24 hours.

Refer to "Daily use - Wine Arrangement".



After a power failure the set temperature remains stored.

Light off function

to switch off the light before the automatic turn off time, open the door and press the light off button.

The light has no negative effect on the quality on the wine.

Door open alarm

An acoustic alarm will sound if the door is left open for a few minutes. The door open alarm conditions are indicated by:

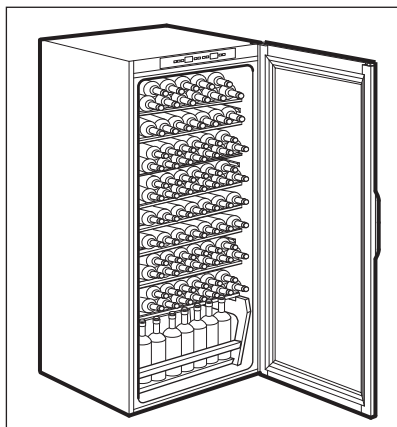
- flashing Alarm indicator
- acoustic buzzer

When normal conditions are restored (door closed), the alarm will stop.

During the alarm, the buzzer can be switched off by pressing any button.

DAILY USE

Wine arrangement



Top Compartment: The temperature can be adjusted between +6 and + 11°C. This compartment is ideal for wines, especially new reds and whites, to be consumed immediately. Operation compartments with differentiated temperatures.

Bottom Compartment: The temperature can be adjusted between + 11 and + 18°C.

This compartment is ideal for storing and refining red or white wines for long periods.

- The temperatures of this compartment are suitable for storing aged and full-bodied wines.
- The bottles should be placed down in such a way that the corks do not dry.
- The wine should be kept in the dark. The door is in anti-UV darkened double glass to protect the wine from the light in case the refrigerator is located in a well-lit place.
- The appliance light should not be switched on too often or for too long. Wine keeps better in the dark.
- The bottles should be handled with care, to avoid agitating the wine.



Follow the recommendations and advice received at the time of purchase or given in the technical documentation regarding the quality, duration and optimum storage temperature of the wine.

Storage advice

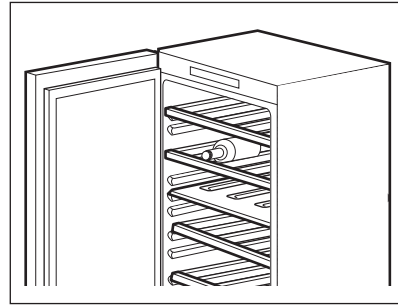
The storage time for wine depends on ageing, the type of grapes, alcoholic content and level of fructose and tannin contained in it. At the time of purchase, check if the wine is already aged or if it will improve over time.

Recommended storage temperatures:

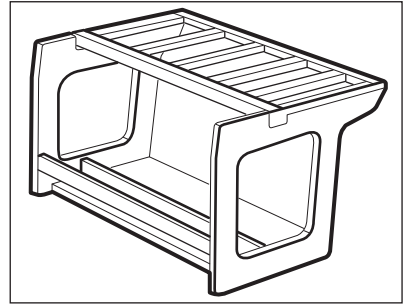
- For champagne and sparkling wines, between 6 and 8°C
- For white wines, between 10 and 12°C
- For rose' and light red wines, between 12 and 16°C
- Aged red wines, 14 -16°C



When placing various bottles on top of each other, make sure they do not touch the refrigerator cooling plate.

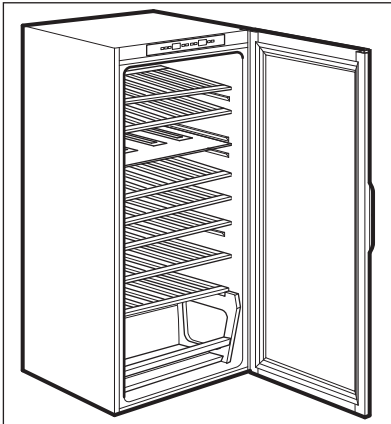


The bottom compartment is fitted with a basket useful for placing upright and sloping bottles.



Wine Cellar shelves

Remove the shelves for cleaning.



Wine Cellar Bottle Holder

The maximum possible weight on the bottle shelves is 30 kg.

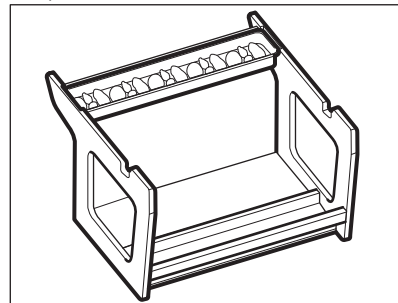
Remove the shelf and insert it between the two guides.

Using the Humidifier

The right humidity is vitally important for the proper storage of wine.

Your Wine Cellar is fitted with a special humidifying device that increases the humidity inside the appliance.

1. Spread out the lava stones provided along the small tray as shown in the picture.



2. Fill the tray with water up to the half of its capacity.

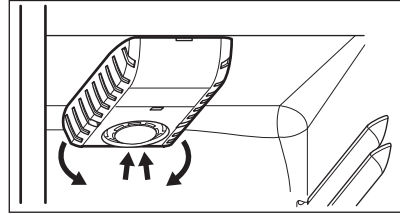
In normal operation, the lava stones are regularly humidified by the water, periodically check at water present inside the tray and refill it when needed.



Note that if the humidity in the area in which your appliance is installed is particularly high, the interior of your Wine Cellar will also be relatively more humid. This may result in bottles misting up when the door is opened or labels peeling off. In this case reduce the quantity of water in the tray accordingly.

Air circulation

The refrigerator compartment has a special AIRLIGHT fan which is automatically activated in function of the appliance thermostat setting and ambient conditions.



CARE AND CLEANING



WARNING! Refer to Safety chapters.

General warnings



CAUTION! Unplug the appliance before carrying out any maintenance operation.



This appliance contains hydrocarbons in its cooling unit; maintenance and recharging must therefore only be carried out by authorized technicians.



The accessories and parts of the appliance are not suitable for washing in a dishwasher.

Periodic cleaning



CAUTION! Do not pull, move or damage any pipes and/or cables inside the cabinet.



CAUTION! Take care of not to damage the cooling system.



CAUTION! When moving the cabinet, lift it by the front edge to avoid scratching the floor.

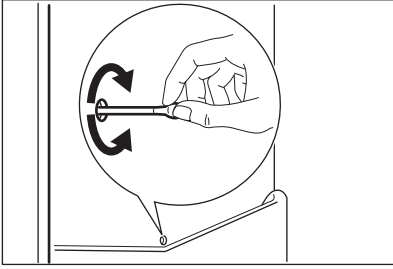
The equipment has to be cleaned regularly:

1. Clean the inside and accessories with lukewarm water and some neutral soap.
2. Regularly check the door seals and wipe clean to ensure they are clean and free from debris.
3. Rinse and dry thoroughly.
4. If accessible, clean the condenser and the compressor at the back of the appliance with a brush. This operation will improve the performance of the appliance and save electricity consumption.

Defrosting of the refrigerator

Frost is automatically eliminated from the evaporator of the refrigerator compartment every time the motor compressor stops, during normal use. The defrost water drains out through a trough into a special container at the back of the appliance, over the motor compressor, where it evaporates.

It is important to periodically clean the defrost water drain hole in the middle of the refrigerator compartment channel to prevent the water overflowing and dripping onto the food inside.



1. Disconnect the appliance from electricity supply.
2. Leave the door/doors open to prevent unpleasant smells.



WARNING! If the cabinet will be kept on, ask somebody to check it once in a while to prevent the food inside from spoiling in case of a power failure.

Periods of non-operation

When the appliance is not in use for long periods, take the following precautions:

TROUBLESHOOTING



WARNING! Refer to Safety chapters.

What to do if...

Problem	Possible cause	Solution
The appliance does not operate.	The appliance is switched off.	Switch on the appliance.
	The mains plug is not connected to the mains socket correctly.	Connect the mains plug to the mains socket correctly.
	There is no voltage in the mains socket.	Connect a different electrical appliance to the mains socket. Contact a qualified electrician.
The appliance is noisy.	The appliance is not supported properly.	Check if the appliance stands stable.
Audible or visual alarm is on.	The cabinet has been recently switched on or the temperature is still too high.	Refer to "Door Open Alarm" or "High Temperature Alarm".
	The temperature in the appliance is too high.	Refer to "Door Open Alarm" or "High Temperature Alarm".
	The door is left open.	Close the door.
The lamp does not work.	The temperature in the appliance is too high.	Contact a qualified electrician or contact the nearest Authorized Service Centre.
	The lamp is in stand-by.	Close and open the door.

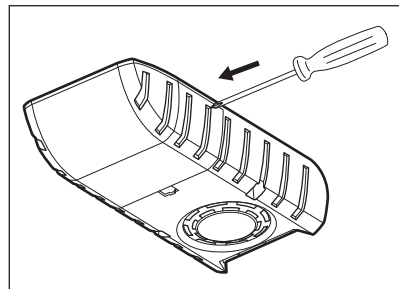
Problem	Possible cause	Solution
	The lamp is defective.	Refer to "Replacing the lamp".
The compressor operates continually.	Temperature is set incorrectly.	Refer to "Operation" chapter.
	Many food products were put in at the same time.	Wait some hours and then check the temperature again.
	The room temperature is too high.	Refer to climate class chart on the rating plate.
	Food products placed in the appliance were too warm.	Allow food products to cool to room temperature before storing.
	The door is not closed correctly.	Refer to "Closing the door".
DEMO appears on the display.	The appliance is in demonstration mode.	Keep the Mode pressed for approximately 10 seconds until a long sound is heard and display shuts off for a short time.
The temperature in the wine cellar is too high.	There is no cold air circulation in the appliance.	Make sure that there is cold air circulation in the appliance.
	The temperature regulator is not set correctly.	Set a lower temperature.
	The door is not closed correctly.	Refer to "Closing the door".
	Many bottles are stored at the same time.	Store less bottles at the same time.
	There is no cold air circulation in the appliance.	"Make sure that there is cold air circulation in the appliance.



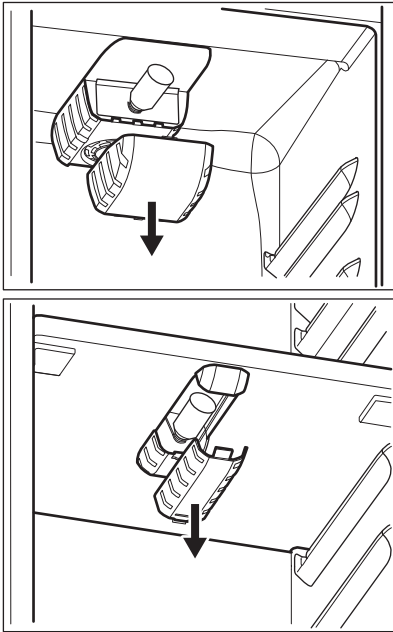
If the advice does not lead to the desired result, call the nearest brand-mark service.

Replacing the lamp Wine Cellar

1. Disconnect the mains plug from the mains socket.
2. Remove the lamp cover by pressing it inwards with a tool (e.g. screwdriver) to free the rear side hookings.



3. At the same time, free the middle hook and slide off the cover in the direction of the arrows.



4. Replace the used lamp with a new lamp of the same type and specifically designed for household appliances and having the same characteristics.
5. Connect the mains plug to the mains socket.
6. Open the door. Make sure that the lamp comes on.

Closing the door

1. Clean the door gaskets.
2. If necessary, adjust the door. Refer to "Installation".
3. If necessary, replace the defective door gaskets. Contact the Service Center.

INSTALLATION



WARNING! Refer to Safety chapters.

Positioning

This appliance can be installed in a dry, well ventilated indoor where the ambient temperature corresponds to the climate class indicated on the rating plate of the appliance:

Climate class	Ambient temperature
SN	+10°C to + 32°C
N	+16°C to + 32°C
ST	+16°C to + 38°C
T	+16°C to + 43°C



Some functional problems might occur for some types of models when operating outside of that range. The correct operation can only be guaranteed within the specified temperature range. If you have any doubts regarding where to install the appliance, please turn to the vendor, to our customer service or to the nearest Service Centre

Electrical connection

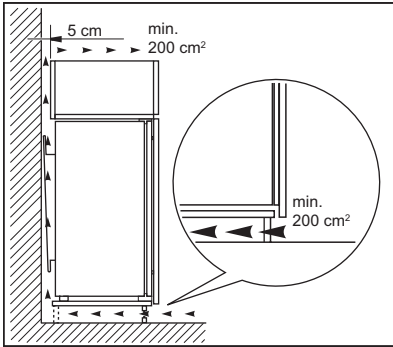
- Before plugging in, ensure that the voltage and frequency shown on the rating plate correspond to your domestic power supply.
- The appliance must be earthed. The power supply cable plug is provided with a contact for this purpose. If the domestic power supply socket is not earthed, connect the appliance to a separate earth in compliance with

current regulations, consulting a qualified electrician.

- The manufacturer declines all responsibility if the above safety precautions are not observed.
- This appliance complies with the E.E.C. Directives.

Ventilation requirements

The airflow behind the appliance must be sufficient.



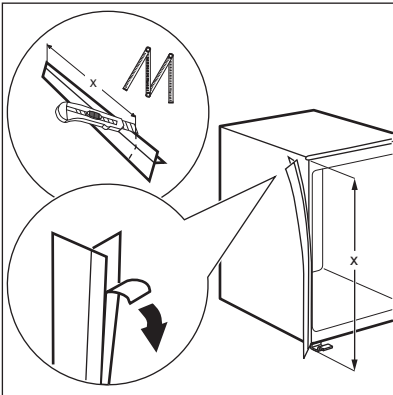
CAUTION! Refer to the assembly instructions for the installation.

Installing the appliance

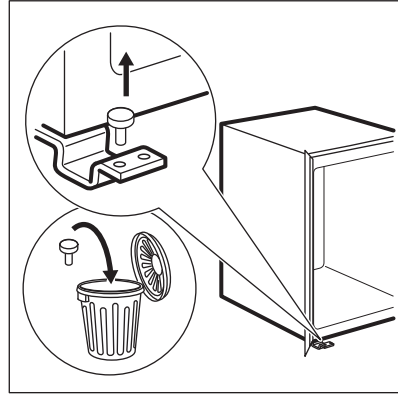


CAUTION! Make sure that the mains cable can move freely.

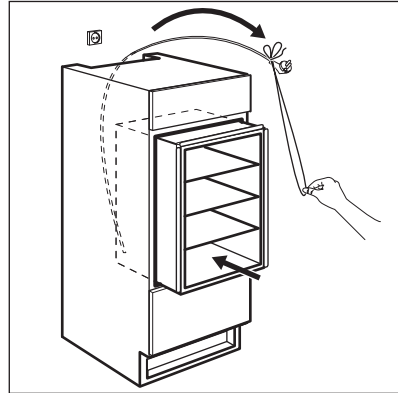
1. Apply the adhesive sealing strip to the appliance as shown in figure.



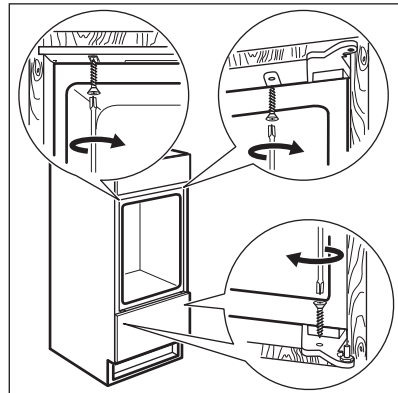
2. Remove the red cover as shown in figure



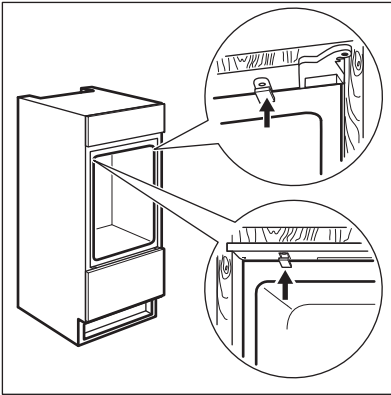
3. Install the appliance in the niche.



4. Attach the appliance to the niche with 4 screws.



5. Fix the covers on the screws.

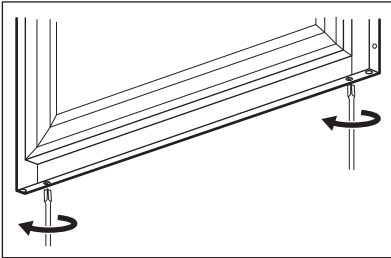


Do a final check to make sure that:

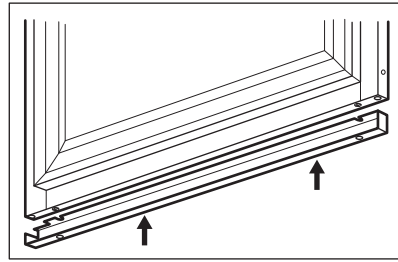
- All screws are tightened.
- The sealing strip is attached tightly to the cabinet.
- The door opens and closes correctly.

Assembly instructions for the compensator lower part of the door

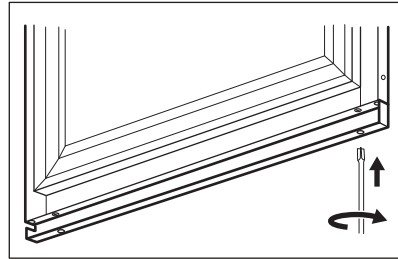
1. With the door open, loosen the two screws situated in the lower part without unscrewing them completely.



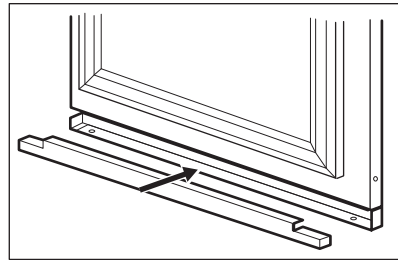
2. Position the steel compensator as indicated in the figure and insert the upper part under the head of the screws.



3. Align the compensator with the steel door panel and tighten the screws.



4. Insert the steel carter inside the compensator as indicated in the figure.





TECHNICAL INFORMATION

Technical data

Dimensions of the recess	Height × Width × Depth (mm):
	1780 x 560 x 550
Voltage (V)	230-240
Frequency (Hz)	50

The technical information is situated on the rating plate on the internal left side of the appliance and in the energy label.

ENVIRONMENTAL CONCERNS

Recycle the materials with the symbol . Put the packaging in applicable containers to recycle it. Help protect the environment and human health and to recycle waste of electrical and electronic appliances. Do not dispose appliances marked with the symbol  with the household waste. Return the product to your local recycling facility or contact your municipal office.

Küppersbusch Hausgeräte GmbH

Postfach 10 01 32, D-45801 Gelsenkirchen, Küppersbuschstr. 16, D-45883 Gelsenkirchen

Telefon: (02 09) 4 01-0, Telefax: (02 09) 4 01-3 03

www.kueppersbusch.de